

The Smooth Operator

Quality, Design and Innovation



SUIKo 1550



LIEBHERR



Door-on-door technology: Allows custom panels to be affixed directly onto the appliance door so that the hinges are concealed, plus the cabinet and the fridge door open as one, ensuring a wide range of design options and easy installation.



SoftTelescopic: A highly practical self-retracting, self-closing feature. Our SoftTelescopic technology guarantees elimination of slamming even when the shelf is fully loaded.



Control system: Our intuitive buttons control panel ensures all functions are easy and convenient to use as well as guarantees that the settings selected remain accurate and constant.

Note: Whilst every effort is made to ensure all specifications and information in this flyer are accurate, Liebherr reserves the right to make changes without notification. Where actual appliance measurements, specifications, and ratings are crucial, we recommend that the actual appliance installation instructions that accompany each appliance be checked. Liebherr will not be liable for any loss.

The precision control system of the **SUIKo 1550** creates a stunning visual impact and enhances the ease and convenience of use. The SuperCool function quickly reduces the temperature of the fridge compartment; ideal for rapidly cooling down freshly stored food. The innovative LED light and the special satin finish of the light cover produces a pleasant lighting atmosphere.

The pull-out fridge compartment is mounted on soft telescopic rails. It has a practical bottle shelf and a removable fruit and vegetable drawer. The large drawer can also be divided into two equal-sized compartments, with more storage space underneath.

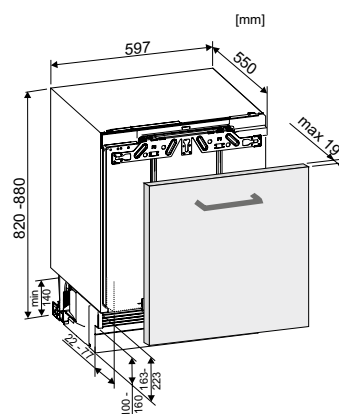
SUIKo 1550
Premium

Soft
Telescopic

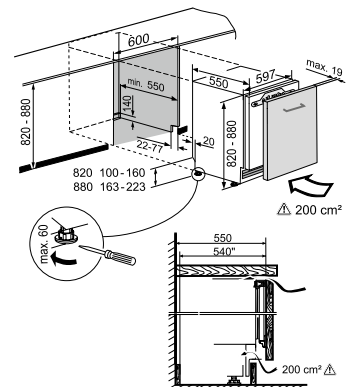


Sound rating dB(A) *	38
Refrigerator capacity litre	124
Number of shelves	2
Fruits and vegetable bins	1
Electronic control	MagicEye on front, buttons
Refrigerator temperature range °C	+2°C to +9°C
Defrost type	Automatic
Interior light	LED ceiling light
Door alarm	Visual and audible
Door type	Pull-out trolley
Integrated lock	No
SoftSystem	No
Door hinges	Pull-out
Product dimensions (H/W/D) cm	82 - 88 / 59.7 / 55
Cut out dimensions (H/W/D) cm	82 - 88 / 60 / min. 55
Gross / Net weight kg	47.6 / 41.5
Voltage V/Hz	220-240 / 50

Installation Diagram



Ventilation Diagram



* Noise output - according to EN 60704-3