



Installation Guide

Quality, Design and Innovation



home.liebherr.com/fridge-manuals



LIEBHERR

General safety instructions

Contents

1	General safety instructions.....	2
2	Setup conditions.....	3
2.1	Space.....	3
2.2	Fitting the appliance into the kitchen unit.....	3
2.3	Setting up multiple appliances.....	4
2.4	Electrical connection.....	4
3	Installation dimensions.....	4
4	Ventilation requirements.....	4
5	Transporting the appliance.....	4
6	Unpacking the appliance.....	5
7	Mounting wall spacers.....	5
8	Setting up the device.....	5
9	Setting up the appliance level.....	5
10	After setup.....	5
11	Disposal of packaging.....	5
12	Explanatory symbols used.....	6
13	Reversing the door.....	6
13.1	Removing the door.....	7
13.2	Moving the upper bearing parts to the other side.	8
13.3	Moving the lower bearing parts to the other side..	9
13.4	Moving the door bearing parts to the other side....	9
13.5	Fitting the door.....	10
13.6	Aligning the door.....	10
13.7	Fitting the covers.....	10
14	Connecting the appliance.....	11

The manufacturer is constantly working to improve all types and models. Therefore, please be aware that we reserve the right to make changes to the shape, equipment and technology.



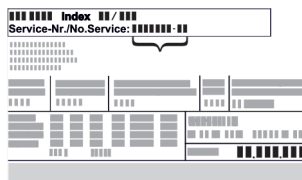




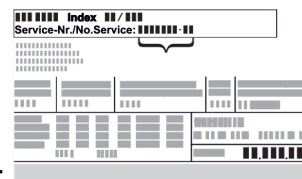
Symbol	Explanation
	Read instructions Please read the information in these instructions carefully to understand all of the benefits of your new appliance.
	Full instructions on the internet You can find detailed instructions on the internet using the QR code on the front of these instruction or by entering the service number at home.liebherr.com/fridge-manuals . The service number can be found on the serial tag: 
	Check appliance Check all parts for transport damage. If you have any complaints, please contact your agent or customer service.

Fig. Example illustration

Symbol	Explanation
	Differences These instructions apply to a range of models, so there may be differences. Sections that apply to certain models only are indicated by an asterisk (*).
	Instructions and results Instructions are marked with a ▶. Results are marked with a ▷.
	Videos Videos about the appliances are available on the YouTube channel of Liebherr-Hausgeräte.



1 General safety instructions

- Please keep this assembly manual in a safe place so you can refer back to it at any time.
- If you pass the appliance on, please hand this assembly manual to the new owner.
- Read this assembly manual before installation and use in order to use the appliance safely and correctly. Follow the instructions, safety instructions and warning messages included at all times. They are important for ensuring you can operate and install the appliance safely and without any problems.
- First read the general safety instructions in the “General safety instructions” section of the **operating instructions**, which accompany these installation instructions, and follow them. If you cannot find the **operating instructions**, you can download the **operating instructions** from the internet by entering the service number at home.liebherr.com/fridge-manuals. The service number can be found on the serial



tag:

- **Observe the warning messages and other detailed information in the other sections when installing the appliance:**

	DANGER	indicates a hazardous situation, which if not avoided, will result in death or serious injury.
	WARNING	indicates a hazardous situation, which if not avoided, could result in death or serious injury.

	CAUTION	indicates a hazardous situation, which if not avoided, will result in minor or moderate injury.
	NOTICE	indicates a hazardous situation, which if not avoided, could result in damage to property.
	Note	indicates useful advice and tips.

2 Setup conditions



WARNING

Risk of fire due to moisture!

If live parts or the power cord get wet, this can cause a short circuit.

- ▶ The appliance is designed for use in enclosed spaces. Do not operate the appliance in open space or in damp areas or where there is spray.

Normal use

- Only set up and use the appliance in enclosed spaces.

2.1 Space



WARNING

Leaking refrigerant and oil!

Fire. The refrigerant contained within the appliance is environmentally friendly, but flammable. The oil contained within the appliance is flammable. Escaping refrigerant and oil can ignite if they are of high enough concentration and are exposed to an external heat source.

- ▶ Do not damage the pipelines of the coolant circuit and the compressor.

- The optimal installation site is a dry and well ventilated room.
- If the appliance is installed in a very damp environment condensate water may form on the outside of the appliance. Always ensure sufficient airflow and ventilation in the setup location.
- The more refrigerant there is in the appliance, the larger the space that it is installed in must be. If the space is too small, any leak may create a flammable mixture of gas and air. For every 8 g of refrigerant, the installation space must be at least 1 m³. Specifications on the refrigerant in the appliance can be found on the serial tag plate inside the appliance.

2.1.1 Installation surface

- The floor of the installation site must be horizontal and level.
- The height of the appliance base must be the same as the surrounding floor.

2.1.2 Installation position

- Do not install appliance in direct sunlight or next to an oven, radiator or similar.
- Always stand the appliance backed directly to the wall using the enclosed wall spacers (see below).

2.2 Fitting the appliance into the kitchen unit

You can install kitchen cabinets around the appliance.

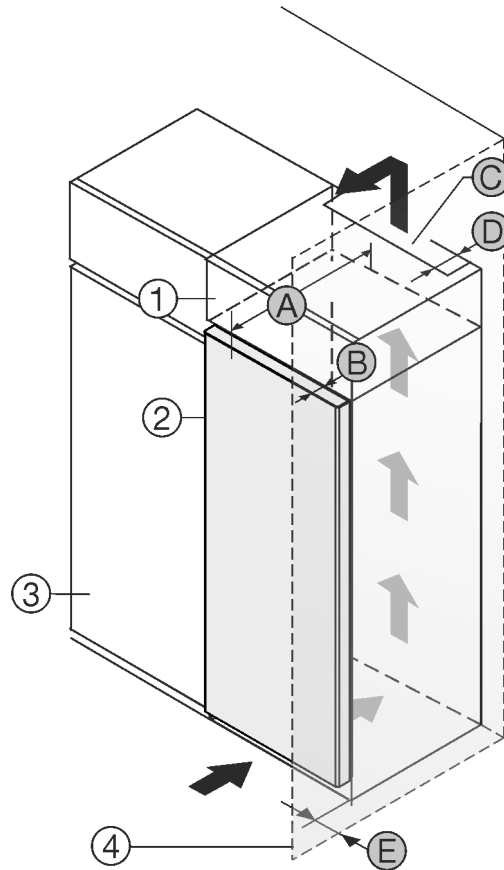


Fig. 1

- (1) Top cupboard
- (2) Appliance
- (3) Kitchen cabinet
- (4) Wall

- (A) Appliance depth
- (B) Door depth
- (C) Ventilation cross-section
- (D) Distance to the rear of the appliance
- (E) Distance to the side of the appliance

You can place the appliance directly beside the kitchen cabinet Fig. 1 (3).

There must be a ventilation shaft at the depth Fig. 1 (D) of the back of the top cupboard over the entire width of the top cupboard.

The cross section of the ventilation gap Fig. 1 (C) must be maintained below the ceiling.

If the appliance is set up with the hinges next to a wall Fig. 1 (4), the distance between the appliance and the wall must be at least 13 mm.

If the appliance is set up with the hinges next to a wall Fig. 1 (4), the distance between the appliance and the wall must be at least 20 mm.

In order to be able to fully open the door, the appliance must protrude by the depth of the door Fig. 1 (B) from the front of the kitchen cabinet. Regardless of the depth of the kitchen cabinets Fig. 1 (3) and use of wall spaces, the appliance can protrude further.

Appliances without handle / with recessed grip:	
A	675 mm ^x
B	75 mm
C	Min. 300 cm ²
D	mind. 50 mm
E	Min. 13 mm

^x The use of wall spacers increases the dimensions by 15 mm (see 7 Mounting wall spacers).

Installation dimensions

Ensure that the following conditions are met:

- Recess dimensions are adhered to .
- Ventilation requirements are complied with (see 4 Ventilation requirements) .

2.3 Setting up multiple appliances

NOTICE

Risk of damage caused by water condensate!

- Do not install this device directly beside another fridge/freezer compartment.

These appliances are designed for different types of installation. Only combine appliances if the appliances are designed for this. The following table shows the installation options by model:

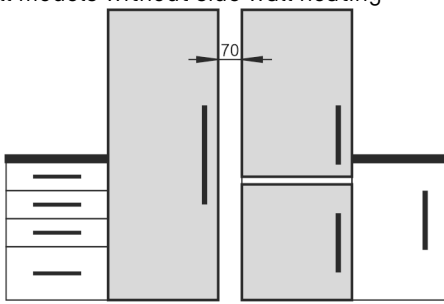
Setup type	Model
Single	All models
Side-by-Side (SBS)	Model that start with S...
Side-by-side with a space of 70 mm between the appliances Otherwise condensation will build up between the units.	All models without side wall heating 

Fig. 2

Assemble appliances according to separate installation instructions.

2.4 Electrical connection



WARNING

Danger of fire due to incorrect positioning!

If the power supply cable or plug touches the back of the appliance, the vibration can damage the power supply cable or the plug resulting in a short circuit.

- Make sure the power supply cable is not trapped under the appliance when you position the appliance.
- Install the appliance so that it does not touch any plugs or power cables.
- Do not connect any appliances to sockets in the area of the back of the appliance.
- Do **not** place and operate power strips/power distributors and other electronic devices (such as halogen transformers) at the back of the appliances.

3 Installation dimensions

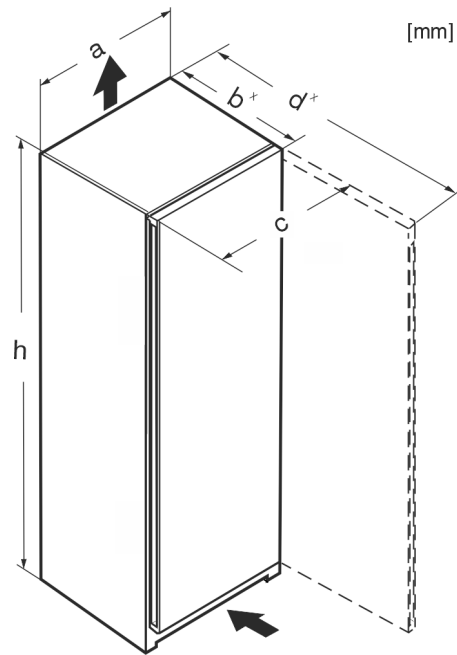


Fig. 3

	h	a	b	c	d
FN/e/f 42../GNe 42Z4	1255	597	675 ^x	609	1217 ^x
FN/d/e/f 46../GNeu 1460 D/ GNe 46Z5	1455	597	675 ^x	609	1217 ^x
FN/e/d 50/ LTGN-234/ GNe 50Z6	1655	597	675 ^x	609	1217 ^x
S/FN/b/d/e/f/S/ GNe 52Z7	1855	597	675 ^x	609	1217 ^x
FNc/d/e 66..	1455	697	760 ^x	710	1403 ^x
FNc/d/e 70.. LTGN-314	1655	697	760 ^x	710	1403 ^x
FNc/d/e 72..	1855	697	760 ^x	710	1403 ^x

^x For appliances with supplied wall spacers, the dimensions must be increased by 15 mm (see 7 Mounting wall spacers) .

4 Ventilation requirements

NOTICE

Risk of damage due to overheating in the case of insufficient ventilation!

In the case of insufficient ventilation, the compressor can be damaged.

- Make sure there is sufficient ventilation.
- Observe the ventilation requirements.

If the appliance is integrated in a fitted kitchen, the following ventilation requirements must be met:

- The spacing fins on the back of the appliance are used to ensure sufficient ventilation. These must not lie in cavities or recesses in their final installation position.
- Basically, the larger the ventilation gap, the more energy the appliance saves during operation.

5 Transporting the appliance

- On initial setup: Transport the appliance in its packaging.

- ▶ When transporting after initial setup (e.g. relocation): Transport the appliance unloaded.
- ▶ Transport the appliance upright.
- ▶ Use two people when transporting the appliance.

6 Unpacking the appliance

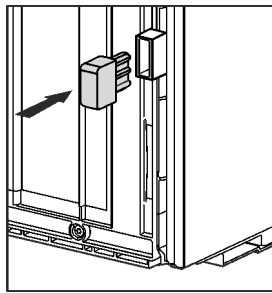
If the appliance is damaged check with the supplier immediately before connecting it.

- ▶ Check the appliance and packaging for damage during transport. If you suspect any damage, please contact your supplier immediately.
- ▶ Remove all materials that could prevent it from being installed properly or prevent proper ventilation from the back or the side panels of the appliance.
- ▶ Remove all protective films from the appliance. Do not use sharp or pointed objects for this.
- ▶ Remove the mains cable from the back of the appliance. Also remove the cable holder, otherwise there will be vibration noise!

7 Mounting wall spacers

Wall spacers enable your appliance to achieve the specified energy consumption and no condensation forms if there is high surrounding humidity. This increases the appliance depth by approx. 15 mm. The appliance will work properly without the wall spacers but will consume slightly more energy.

- ▶ Appliance with supplied wall spacers: Fit wall spacers on the rear of the appliance at the bottom left and right.



8 Setting up the device



CAUTION

Risk of injury due to heavy appliance!

- ▶ Have two people transport the appliance to its installation site.



CAUTION

Risk of injury and damage!

The door can strike against the wall, which would damage it. In the case of glass doors, the broken glass may cause injury!

- ▶ Protect the door from striking against the wall. Place a door stopper, e.g. a felt stopper, on the wall.
- ▶ A device that limits door opening to 90° can be ordered from a qualified service provider.



WARNING

Danger of injury and damage due to the appliance being unstable!

The appliance can tip over.

- ▶ Secure the appliance as described in the instructions.



WARNING

Danger of fire and damage!

- ▶ Do not place devices that give off heat, e.g. microwaves, toasters, etc. on the appliance.

Make sure that the following requirements are fulfilled:

- Only move the appliance when it is not loaded.
- Only set up the appliance when someone is present to help you.

9 Setting up the appliance level



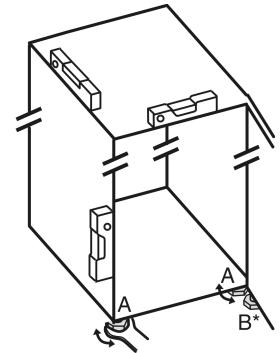
CAUTION

Risk of injury or damage from the appliance tipping or the door falling open!

If the additional adjustable foot on the base support is not correctly positioned on the floor, there is a risk of the door falling open or the appliance tipping. This can lead to injury or property damage.

- ▶ Unscrew the additional adjustable foot on the support until it reaches the floor.
- ▶ Then turn it another 90°.

- ▶ Align the appliance so that it stands firmly and by applying the accompanying spanner to the adjustable height feet (A) and using a spirit level.
- ▶ Then prop up the door: Lower the adjustable foot on the bearing bracket (B) until it contacts the floor, then turn it an additional 90°.



- ▶ Then prop up the door: Screw out the adjustable foot on the bearing bracket (B) using the open-ended wrench SW10 until it comes into contact with the floor, then turn an additional 90°.

10 After setup

- ▶ Pull off the protective film from the outside of the housing.
- ▶ Pull off the protective film from the trim strips.
- ▶ Pull off the protective film from the trim strips and drawer fronts.
- ▶ Take off the protective film from the stainless steel rear panel.
- ▶ Remove all transport packaging.
- ▶ Clean the appliance. (see operating instructions)
- ▶ Note the type (model, number), appliance designation, appliance/serial number, purchase date and dealer's address.

11 Disposal of packaging



WARNING

Danger of suffocation from packaging materials and films!

- ▶ Do not allow children to play with packaging materials.

The packaging is made from recyclable materials:













- Corrugated card/cardboard






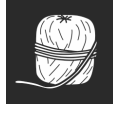


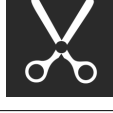
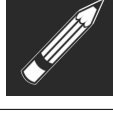




Explanatory symbols used

- Parts made of foamed polystyrene
 - Films and bags from polyethylene
 - Packing bands from polypropylene
 - Wood frame nailed together with a polyethylene window*
- Take the packaging material to an official collection point.

12 Explanatory symbols used

	There is the risk of injury when doing this! Obey the safety instructions!
	These instructions apply to several models. Only perform this step if it applies to your appliance.
	To install, please follow the detailed description in the Guide.
	This section applies either to a single-door appliance or a double-door appliance.
	Choose one of the options: Appliance with right-hinged door or appliance with left-hinged door.
	Installation step necessary with IceMaker and/or InfinitySpring.
	Loosen or tighten screws slightly.
	Tighten the screws fully.
	Check to see if the next step applies for your model.
	Check the components are in correctly.
	Measure the specified measurement and adjust if necessary.
	Installation tool: Meter stick

	Tool for assembly: Cordless screwdriver and attachments
	Tool for assembly: Spirit level
	Tool for assembly: Size 7 and size 10 spanner
	Two people are required for this step.
	This step takes place at the selected location of the appliance.
	Aid for assembly: String
	Aid for assembly: Square
	Aid for assembly: Screwdriver
	Aid for assembly: Scissors
	Aid for assembly: Non-permanent marker pen
	Accessory kit: Remove components
	Dispose of components that are no longer needed.

13 Reversing the door

Tools

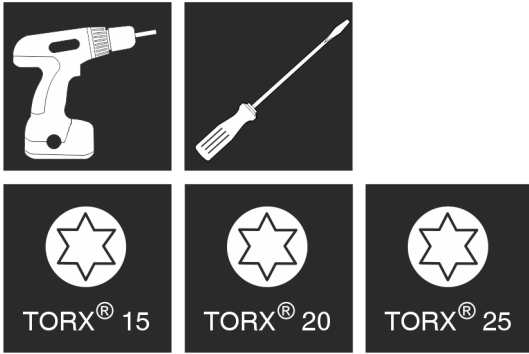


Fig. 4



WARNING

Danger of injury due to door falling out!
If the bearing parts are not screwed on tightly enough, the door may fall out. This can result in serious injuries. In addition, the door may not close causing the appliance to cool improperly.

- ▶ Screw on the bearing brackets/bearing pins tightly with 4 Nm.
- ▶ Check all screws and retighten them if necessary.

These sections apply for appliances **without a soft stop mechanism**:

- For appliances **without** the a stop mechanism
- For all appliances

NOTICE

Risk of damage to side-by-side appliances caused by condensate!*

Certain appliances can be set up as side-by-side combinations (two appliances beside one another).

If your appliance **is a side-by-side appliance**:

- ▶ Install the SBS combination in accordance with the accompanying sheet.

If the **configuration of appliances is specified**:

- ▶ Do not change the door stop.

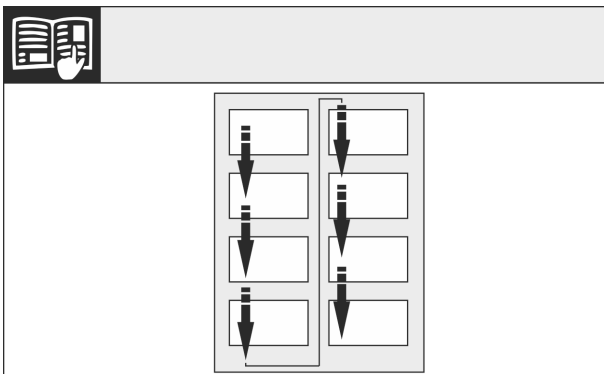


Fig. 5

Observe the reading direction.

13.1 Removing the door

Note

- ▶ To prevent food items from falling out, take all food out of the door racks before removing the door.

For appliances without soft stop mechanism:

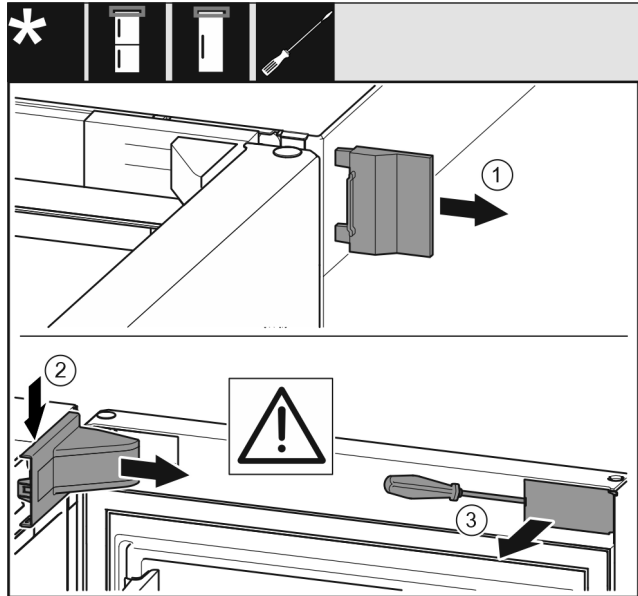


Fig. 6

- ▶ Open the door.

NOTICE

Risk of damage!

If the door seal is damaged the door may not close properly and the level of cooling is insufficient.

- ▶ Do not damage the door seal with the screwdriver!

- ▶ Remove the outer cover. *Fig. 6 (1)*
- ▶ Disengage and release the bearing bracket cover. Remove the bearing bracket cover. *Fig. 6 (2)*
- ▶ Unlatch the panel with a slotted screwdriver and swivel it to one side. *Fig. 6 (3)*

For all appliances:

Reversing the door

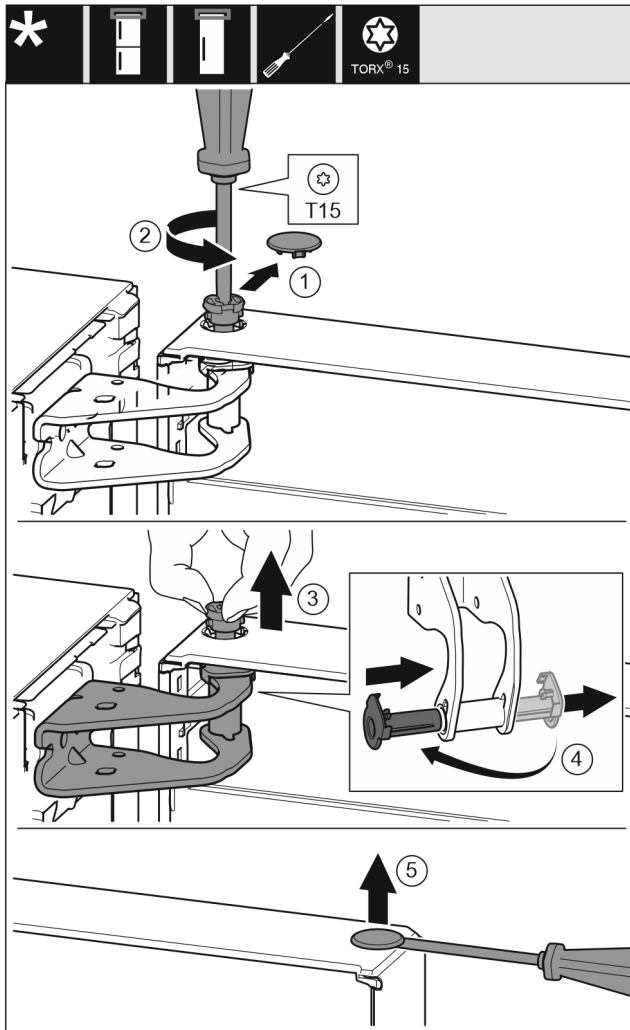


Fig. 7



CAUTION

Risk of injury if the door tips out!

- ▶ Keep a steady grip on the door.
- ▶ Set the door down carefully.

- ▶ Carefully remove the protective cover. Fig. 7 (1)
- ▶ Loosen the bolts slightly with a T15 screwdriver. Fig. 7 (2)
- ▶ Hold the door and remove the bolts with your fingers. Fig. 7 (3)
- ▶ Pull the bearing bush out of the guide. Insert from the other side and latch into place. Fig. 7 (4)
- ▶ Lift the door and place it to one side.
- ▶ Carefully lift the plugs out of the door bearing bush with a slotted screwdriver and remove them. Fig. 7 (5)

13.2 Moving the upper bearing parts to the other side

For all appliances:

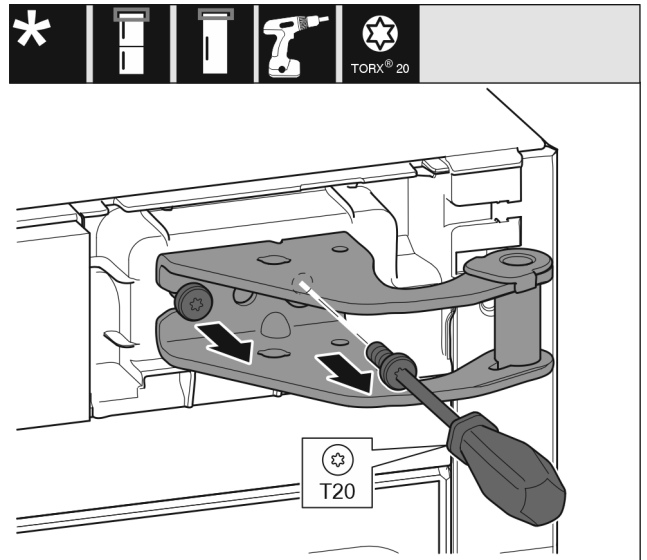


Fig. 8

- ▶ Remove both screws with a T20 screwdriver.
- ▶ Lift and remove the bearing bracket.

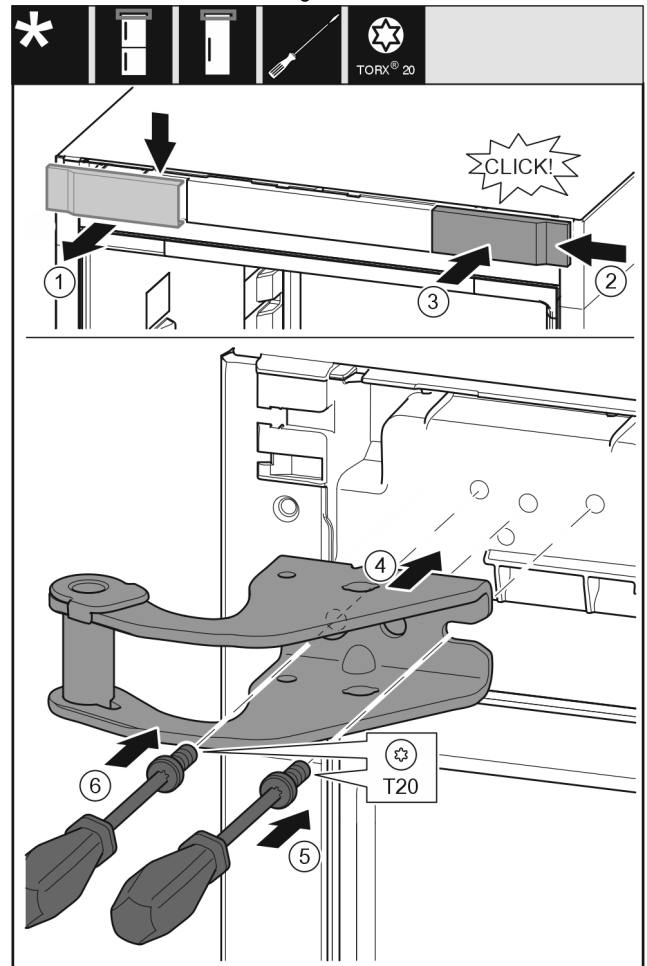


Fig. 9

- ▶ Take off the cover to the front from above. Fig. 9 (1)
- ▶ Rotate the cover 180° and clip onto the other side from the right. Fig. 9 (2)
- ▶ Latch the cover into place. Fig. 9 (3)
- ▶ Position the upper bearing bracket. Fig. 9 (4)
- ▶ Insert the screw with a T20 screwdriver and tighten it. Fig. 9 (5)
- ▶ Insert the screw with a T20 screwdriver and tighten it. Fig. 9 (6)

13.3 Moving the lower bearing parts to the other side

For all appliances:

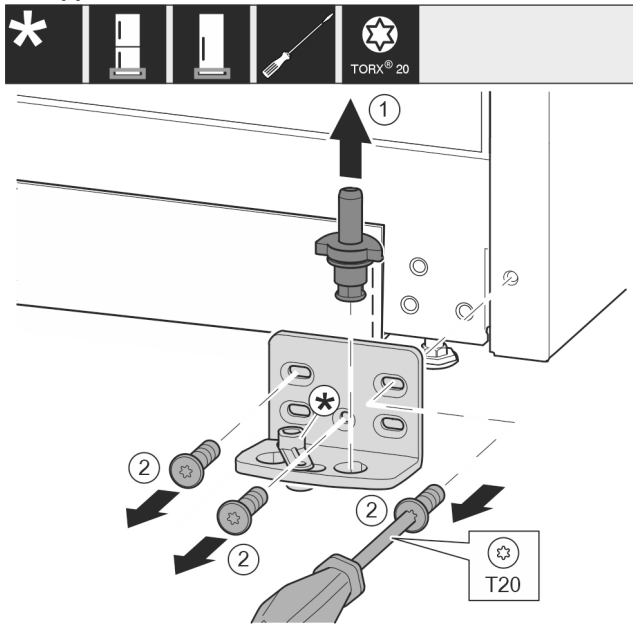


Fig. 10

- ▶ Lift the bearing pin completely upward and remove it. Fig. 10 (1)
- ▶ Remove the screws with the T20 screwdriver and take off the bearing bracket. Fig. 10 (2)

For appliances without soft stop mechanism:

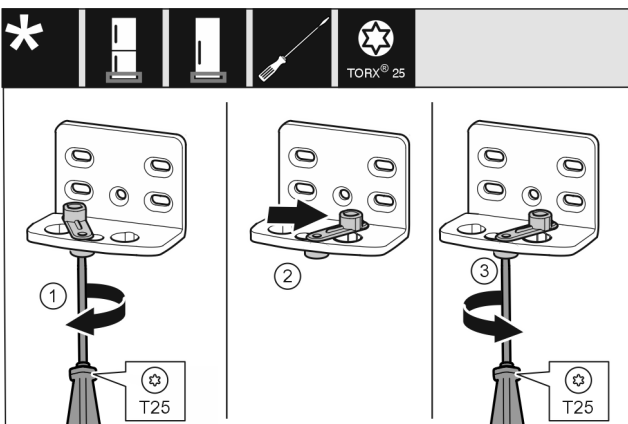


Fig. 11

- ▶ Loosen the screw using a T25 screwdriver. Fig. 11 (1)
- ▶ Lift the door closing aid and turn it 90° to the right in the hole. Fig. 11 (2)
- ▶ Tighten the screw using the T25 screwdriver. Fig. 11 (3)

For all appliances:

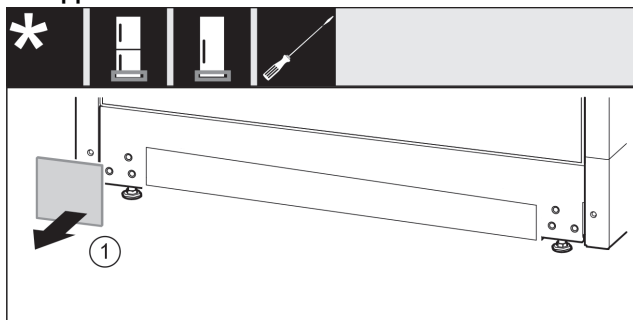


Fig. 12

- ▶ Take off the cover. Fig. 12 (1)

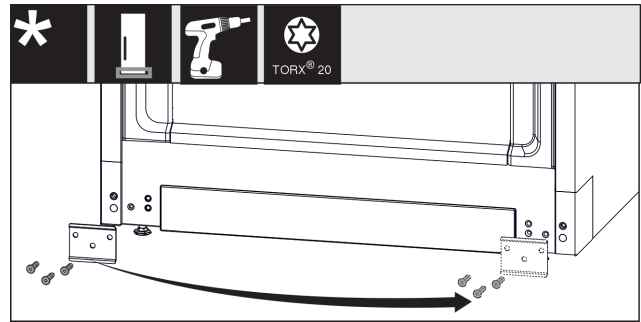


Fig. 13

- ▶ Unscrew the metal plate, move it to the other side and screw it on again. Fig. 13 (1)

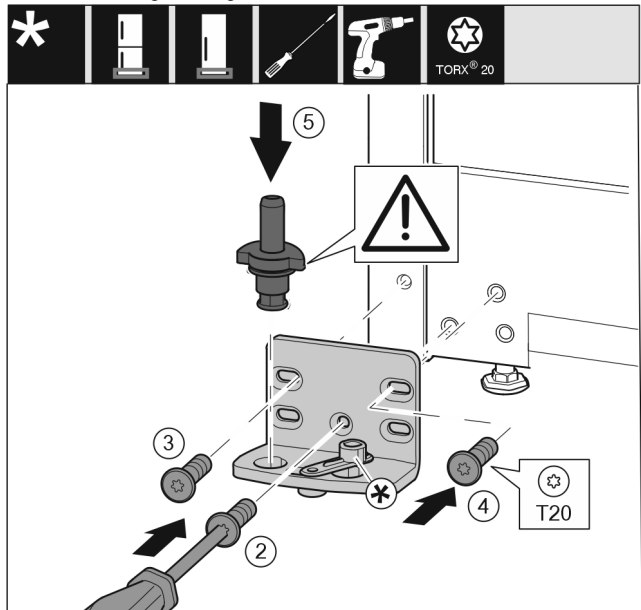


Fig. 14

- ▶ Place the bearing bracket on the other side and screw it in using the T20 screwdriver. Start with screw 2 at the bottom in the middle. Fig. 14 (2)
- ▶ Screw in screws 3 and 4. Fig. 14 (3,4)
- ▶ Insert the bearing pin completely. Make sure that the latching lug is pointing to the rear. Fig. 14 (5)

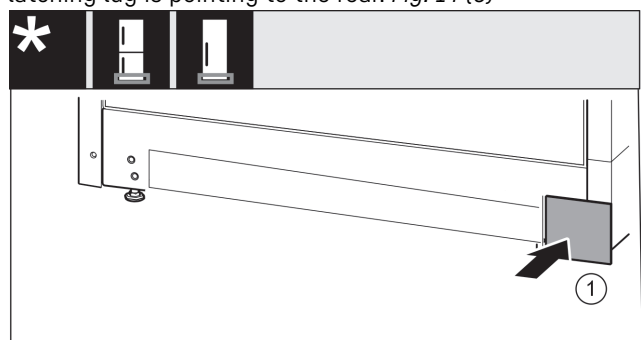


Fig. 15

- ▶ Put back the cover on the other side. Fig. 15 (1)

13.4 Moving the door bearing parts to the other side

For appliances without soft stop mechanism:

Reversing the door

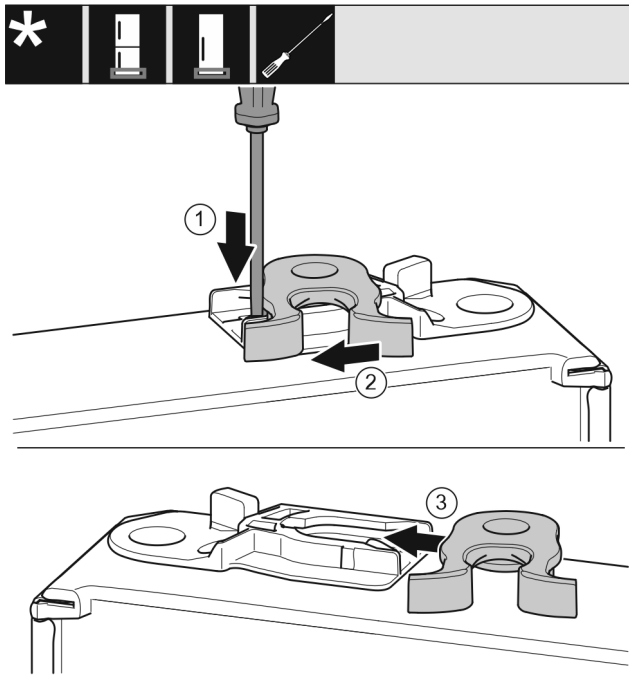


Fig. 16

- ▶ Underside of door faces upwards: Turn the door.
- ▶ Push the lug downward with a slotted screwdriver. Fig. 16 (1)
- ▶ Pull the door latch out of the guide. Fig. 16 (2)
- ▶ Push the door latch into the guide on the other side. Fig. 16 (3)
- ▶ Upper side of door faces upwards: Turn the door.

13.5 Fitting the door

For all appliances:

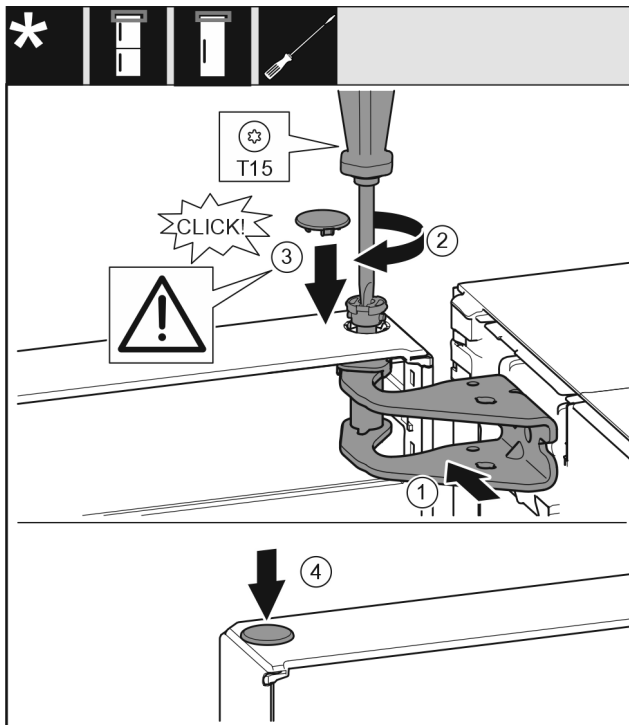


Fig. 17

- ▶ Place the door on the bottom bearing pins.
- ▶ Align the top of the door with opening in the bearing bracket. Fig. 17 (1)
- ▶ Insert the bolt and tighten with a T15 screwdriver. Fig. 17 (2)

- ▶ Fit the protective cover to protect the door: Insert the protective cover and check that it lies flush on the door. If not, insert the bolt fully. Fig. 17 (3)
- ▶ Insert the plugs. Fig. 17 (4)

13.6 Aligning the door

For all appliances:



WARNING

Danger of injury due to door falling out!

If the bearing parts are not screwed on tightly enough, the door may fall out. This can result in serious injuries. In addition, the door may not close causing the appliance to cool improperly.

- ▶ Screw the bearing brackets on firmly with 4 Nm.
- ▶ Check all screws and retighten them if necessary.
- ▶ Align the doors flush with the appliance housing using the two slots in the lower bearing bracket, if needed. To do this undo the middle screw in the bottom bearing bracket with the T20 tool supplied. Undo the remaining screws a little with the T20 tool or with a T20 screwdriver and align via the slots.
- ▶ Prop up the door: Screw out the adjustable foot on the bearing bracket using the open-ended wrench SW10 until it comes into contact with the floor, then turn an additional 90°.

13.7 Fitting the covers

For appliances without soft stop mechanism:

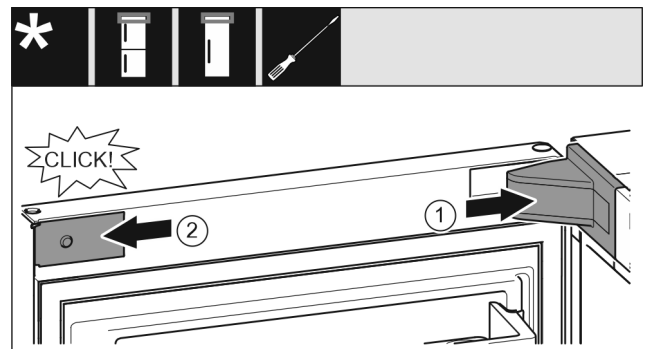


Fig. 18

The door is open 90°.

- ▶ Position the bearing bracket cover and engage it. If necessary push it apart carefully. Fig. 18 (1)
- ▶ Position the panel on the side and latch into place. Fig. 18 (2)

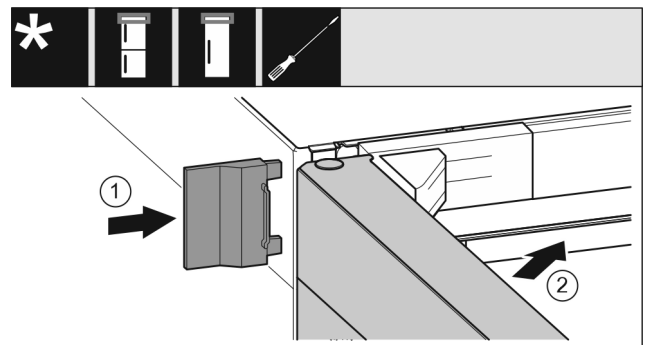


Fig. 19

- ▶ Slide on the outer cover. Fig. 19 (1)
- ▶ Close the upper door. Fig. 19 (2)

14 Connecting the appliance



WARNING

Incorrect connection!
Risk of fire.

- ▶ Do not use an extension cord.
- ▶ Do not use a multipoint connector strip.

NOTICE

Incorrect connection!
Damage to the electronics.

- ▶ Do not connect the appliance to a stand-alone inverter, e.g. solar power systems and petrol generators.

Note

Only use the mains cable supplied.

- ▶ A longer mains cable can be ordered from Customer Service.

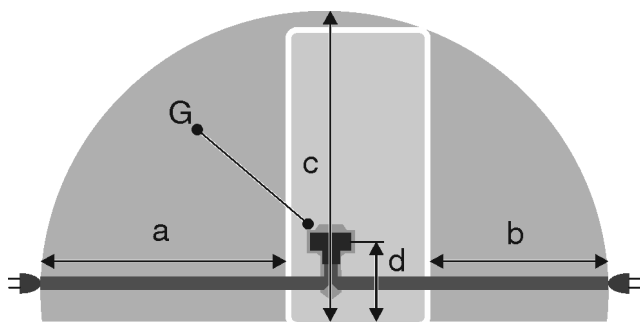


Fig. 20 Fridge/freezers / freezers / full-space BioFresh appliances

For 600 mm wide appliances:	
a	~ 1800 mm
b	~ 1400 mm
c	~ 2100 mm
d	~ 200 mm
G	Appliance plug

Make sure that the following requirements are fulfilled:

- The type of current and voltage at the installation site complies with the information on the serial tag .
- The socket is grounded and fused in accordance with regulations.
- The tripping current for the fuse is between 10 and 16 A.
- The socket is easily accessible.
- The socket is not located behind the appliance but in areas a or b Fig. 20 (a, b, c).
- ▶ Check the electrical connection.
- ▶ Insert the appliance plug Fig. 20 (G) on the rear side of the appliance. Ensure that they latch into place correctly.
- ▶ Connect the mains plug to the power supply.
- ▷ The Liebherr logo appears on the screen.
- ▷ The display switches to the standby symbol.



home.liebherr.com/fridge-manuals

EN Freezer

Issue date: 20230927

Part number index: 7088370-01

Liebherr-Hausgeräte GmbH
Memminger Straße 77-79
88416 Ochsenhausen
Deutschland



Installation Guide

Quality, Design and Innovation



home.liebherr.com/fridge-manuals





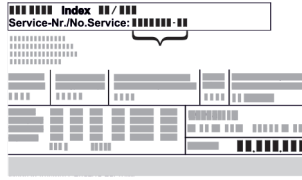

LIEBHERR




General safety instructions

Contents

1	General safety instructions.....	2
2	Setup conditions.....	3
2.1	Space.....	3
2.2	Fitting the appliance into the kitchen unit.....	3
2.3	Setting up multiple appliances.....	4
2.4	Electrical connection.....	4
3	Installation dimensions.....	4
4	Ventilation requirements.....	4
5	Transporting the appliance.....	5
6	Unpacking the appliance.....	5
7	Mounting wall spacers.....	5
8	Setting up the device.....	5
9	Setting up the appliance level.....	5
10	After setup.....	5
11	Disposal of packaging.....	5
12	Explanatory symbols used.....	6
13	**** freezer compartment door*.....	6
13.1	Moving the door hinge.....	7
14	Reversing the door.....	7
14.1	Removing the door.....	7
14.2	Reversing the freezer compartment door*.....	8
14.3	Moving the upper bearing parts to the other side.....	8
14.4	Moving the lower bearing parts to the other side..	9
14.5	Moving the door bearing parts to the other side....	10
14.6	Fitting the door.....	10
14.7	Aligning the door.....	11
14.8	Fitting the covers.....	11
15	Connecting the appliance.....	11

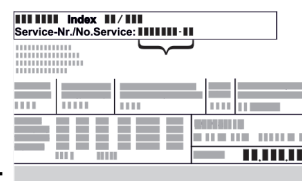
The manufacturer is constantly working to improve all types and models. Therefore, please be aware that we reserve the right to make changes to the shape, equipment and technology.

Symbol	Explanation
	<p>Read instructions</p> <p>Please read the information in these instructions carefully to understand all of the benefits of your new appliance.</p>
	<p>Full instructions on the internet</p> <p>You can find detailed instructions on the internet using the QR code on the front of these instruction or by entering the service number at home.liebherr.com/fridge-manuals.</p> <p>The service number can be found on the serial tag:</p>  <p style="text-align: center;"><i>Fig. Example illustration</i></p>
	<p>Check appliance</p> <p>Check all parts for transport damage. If you have any complaints, please contact your agent or customer service.</p>

Symbol	Explanation
	<p>Differences</p> <p>These instructions apply to a range of models, so there may be differences. Sections that apply to certain models only are indicated by an asterisk (*).</p>
	<p>Instructions and results</p> <p>Instructions are marked with a ▶.</p> <p>Results are marked with a ▷.</p>
	<p>Videos</p> <p>Videos about the appliances are available on the YouTube channel of Liebherr-Hausgeräte.</p>



1 General safety instructions


- Please keep this assembly manual in a safe place so you can refer back to it at any time.
- If you pass the appliance on, please hand this assembly manual to the new owner.
- Read this assembly manual before installation and use in order to use the appliance safely and correctly. Follow the instructions, safety instructions and warning messages included at all times. They are important for ensuring you can operate and install the appliance safely and without any problems.
- First read the general safety instructions in the “General safety instructions” section of the **operating instructions**, which accompany these installation instructions, and follow them. If you cannot find the **operating instructions**, you can download the **operating instructions** from the internet by entering the service number at home.liebherr.com/fridge-manuals. The service number can be found on the serial



tag:

- **Observe the warning messages and other detailed information in the other sections when installing the appliance:**

	DANGER	indicates a hazardous situation, which if not avoided, will result in death or serious injury.
	WARNING	indicates a hazardous situation, which if not avoided, could result in death or serious injury.

	CAUTION	indicates a hazardous situation, which if not avoided, will result in minor or moderate injury.
	NOTICE	indicates a hazardous situation, which if not avoided, could result in damage to property.
	Note	indicates useful advice and tips.

2 Setup conditions



WARNING

Risk of fire due to moisture!

If live parts or the power cord get wet, this can cause a short circuit.

- ▶ The appliance is designed for use in enclosed spaces. Do not operate the appliance in open space or in damp areas or where there is spray.

Normal use

- Only set up and use the appliance in enclosed spaces.

2.1 Space



WARNING

Leaking refrigerant and oil!

Fire. The refrigerant contained within the appliance is environmentally friendly, but flammable. The oil contained within the appliance is flammable. Escaping refrigerant and oil can ignite if they are of high enough concentration and are exposed to an external heat source.

- ▶ Do not damage the pipelines of the coolant circuit and the compressor.

- If the appliance is installed in a very damp environment condensate water may form on the outside of the appliance. Always make sure the installation area is well ventilated.
- The more refrigerant is in the appliance, the larger the room must be where the appliance is located. In the case of a leak, a flammable gas-air mixture may be created in a room that is too small. For every 8 g of refrigerant, the installation space must be at least 1 m³. Specifications regarding the refrigerant contained within the appliance can be found on the rating plate inside the appliance.

2.1.1 Installation surface

- The floor of the installation site must be horizontal and level.
- The height of the appliance base must be the same as the surrounding floor.

2.1.2 Installation position

- Do not install the appliance in direct sunlight or next to an oven, heater, or similar heat source.
- Always stand the appliance backed directly to the wall using the enclosed wall spacers (see below).

2.2 Fitting the appliance into the kitchen unit

The appliance can be built into kitchen cabinets.

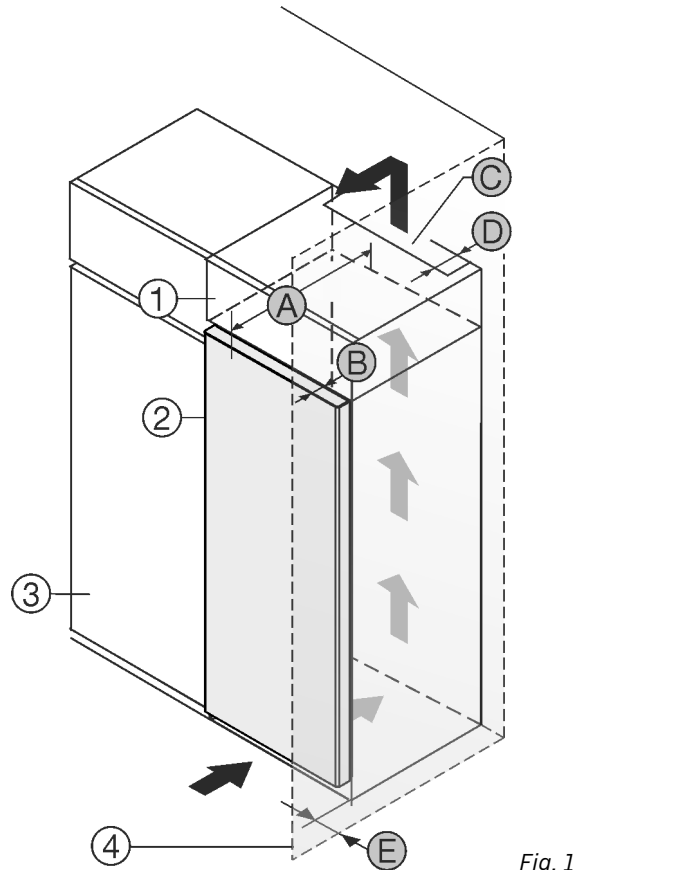


Fig. 1

- (1) Top cupboard
- (2) Appliance
- (3) Kitchen cabinet
- (4) Wall
- (A) Appliance depth
- (B) Door depth
- (C) Ventilation cross-section
- (D) Distance to the rear of the appliance
- (E) Distance to the side of the appliance

A	B	C	D	E
675 mm ^x	65 mm	Min.300 cm ²	Min.50 mm	Min.13 mm

Appliances without handle / with recessed grip

Set up the appliance directly next to the kitchen cabinet Fig. 1 (3).

There must be a ventilation shaft at the depth Fig. 1 (D) of the back of the top cupboard over the entire width of the top cupboard.

The cross section of the ventilation gap Fig. 1 (C) must be maintained below the ceiling.

If the appliance is installed with the hinges next to a wall Fig. 1 (4), the distance between the appliance and the wall must be at least 13 mm.

If the appliance is installed with the hinges next to a wall Fig. 1 (4), the distance between the appliance and the wall must be at least 20 mm.

In order to be able to fully open the door, the appliance must protrude by the depth Fig. 1 (B) of the door from the front of the kitchen cabinet. Regardless of the depth of the kitchen cabinets Fig. 1 (3) and use of wall spaces, the appliance can protrude further.

Ensure that the following conditions are met:

- Recess dimensions are adhered to .
- Ventilation requirements are complied with (see 4 Ventilation requirements) .

Installation dimensions

2.3 Setting up multiple appliances

NOTICE

Risk of damage caused by water condensate!

- ▶ Do not install this device directly beside another fridge/ freezer compartment.

These appliances are designed for different types of installation. Only combine appliances if the appliances are designed for this. The following table shows the installation options by model:

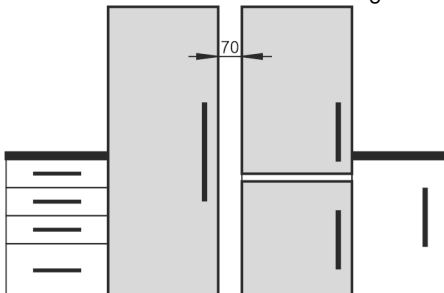
Setup type	Model
Single	All models
Side-by-Side (SBS)	Model that start with S...
Side-by-side with a distance of 70 mm between appliances	All models without side wall heating
Otherwise condensation will build up between the units.	

Fig. 2

Assemble appliances according to separate installation instructions.

2.4 Electrical connection



WARNING

Improper use!

Fire. If a power cable/plug comes into contact with the back of the appliance, the power cable/plug can be damaged by appliance vibrations and this may result in a short circuit.

- ▶ Install the appliance so that it does not touch any plugs or power cables.
- ▶ Do not connect any appliances to sockets in the area of the back of the appliance.
- ▶ Multi-sockets/power distributors and other electronic appliances (such as halogen transformers) may not be placed and operated at the back of appliances.

3 Installation dimensions

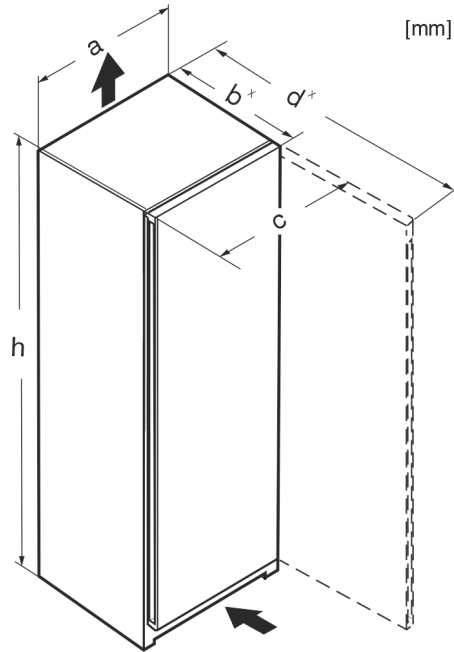


Fig. 3

	h	a	b	c	d
Rf 4200 /e/f 42..	1255	597	675 ^x	609	1217 ^x
R(sf)(f) 4600 / e/f 46..	1455	597	675 ^x	609	1217 ^x
Kf 46Z00	1455	597	675 ^x	609	1217 ^x
R(sf)(e) 4620	1455	597	675 ^x	609	1217 ^x
Rf 5000 /e/d 50	1655	597	675 ^x	609	1217 ^x
R(sf)(e) 5020	1655	597	675 ^x	609	1217 ^x
R(sf)(e) 5220	1855	597	675 ^x	609	1217 ^x
Ksfe 52Z20	1855	597	675 ^x	609	1217 ^x
RB(sf)(e) 5220	1855	597	675 ^x	609	1217 ^x
SR(bd)(sd)(sf)(e)(h) 5220	1855	597	675 ^x	609	1217 ^x
SRBsfe 5220	1855	597	675 ^x	609	1217 ^x
RDsfe 5220	1855	597	675 ^x	609	1217 ^x
RB(sf)(e) 5221	1855	597	675 ^x	609	1217 ^x

^x For appliances with supplied wall spacers, the dimensions must be increased by 15 mm .

4 Ventilation requirements

NOTICE

Risk of damage due to overheating in the case of insufficient ventilation!

In the case of insufficient ventilation, the compressor can be damaged.

- ▶ Make sure there is sufficient ventilation.
- ▶ Observe the ventilation requirements.

If the appliance is integrated in a fitted kitchen, the following ventilation requirements must be met:

- The spacing fins on the back of the appliance are used to ensure sufficient ventilation. These must not lie in cavities or recesses in their final installation position.
- Basically, the larger the ventilation gap, the more energy the appliance saves during operation.

5 Transporting the appliance

- ▶ Transport the appliance in its packaging.
- ▶ Transport the appliance upright.
- ▶ Use two people when transporting the appliance.

6 Unpacking the appliance

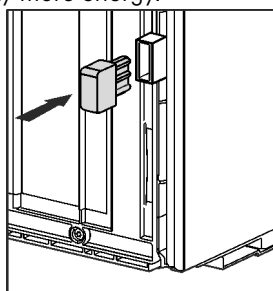
If the appliance is damaged check with the supplier immediately before connecting it.

- ▶ Check the appliance and packaging for damage during transport. If you suspect any damage, please contact your supplier immediately.
- ▶ Remove all materials that could prevent it from being installed properly or prevent proper ventilation from the back or the side panels of the appliance.
- ▶ Remove all protective films from the appliance. Do not use sharp or pointed objects for this.
- ▶ Remove the mains cable from the back of the appliance. Also remove the cable holder, otherwise there will be vibration noise!

7 Mounting wall spacers

The spacers must be used in order to reach the declared energy consumption levels as well as to avoid the formation of condensate water at high levels of ambient humidity. These will extend the depth of the appliance by approx. 15 mm. The appliance is fully functional if the spacers are not used, but it will consume slightly more energy.

- ▶ If wall spacers are supplied with an appliance, these wall spaces must be mounted on the left and right of the back of the appliance.



8 Setting up the device



CAUTION

Risk of personal injury!

- ▶ Have two people move this appliance into place.



CAUTION

Risk of injury and damage!

The door can strike against the wall, which would damage it. In the case of glass doors, the broken glass may cause injury!

- ▶ Protect the door from striking against the wall. Place a door stopper, e.g. a felt stopper, on the wall.
- ▶ A device that limits door opening to 90° can be ordered from a qualified service provider.



WARNING

Unstable appliance!

Risk of injury and damage. The appliance can tip over.

- ▶ Secure the appliance according to the operating instructions.



WARNING

Danger of fire and damage!

- ▶ Do not place devices that give off heat, e.g. microwaves, toasters, etc. on the appliance.

Make sure that the following requirements are fulfilled:

- Only move the appliance when it is not loaded.
- Only set up the appliance when someone is present to help you.

9 Setting up the appliance level



CAUTION

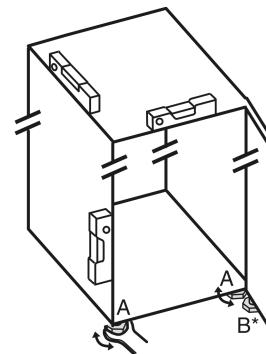
Risk of injury or damage from the appliance tipping or the door falling open!

If the additional adjustable foot on the base support is not correctly positioned on the floor, there is a risk of the door falling open or the appliance tipping. This can lead to injury or property damage.

- ▶ Unscrew the additional adjustable foot on the support until it reaches the floor.
- ▶ Then turn it another 90°.

- ▶ Align the appliance so that it stands firmly and by applying the accompanying spanner to the adjustable height feet (A) and using a spirit level.

- ▶ Then prop up the door: Lower the adjustable foot on the bearing bracket (B) until it contacts the floor, then turn it an additional 90°.



- ▶ Then prop up the door: Screw out the adjustable foot on the bearing bracket (B) using the open-ended wrench SW10 until it comes into contact with the floor, then turn an additional 90°.

10 After setup

- ▶ Pull off the protective film from the outside of the housing.
- ▶ Pull off the protective film from the trim strips.
- ▶ Pull off the protective film from the trim strips and drawer fronts.
- ▶ Pull off the protective film from the stainless steel rear panel.
- ▶ Remove all transport packaging.
- ▶ Clean the appliance.
- ▶ Make a note of type (model, number), appliance designation, appliance/serial no., date of purchase, and dealer address in the designated fields.

11 Disposal of packaging



WARNING

Danger of suffocation from packaging materials and films!

- ▶ Do not allow children to play with packaging materials.

The packaging is made from recyclable materials:













- Corrugated card/cardboard






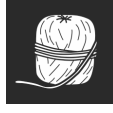


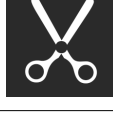
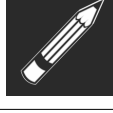




Explanatory symbols used

- Parts made of foamed polystyrene
- Films and bags from polyethylene
- Packing bands from polypropylene
- Wood frame nailed together with a polyethylene window*
- ▶ Take the packaging material to an official collection point.

12 Explanatory symbols used

	There is the risk of injury when doing this! Obey the safety instructions!
	These instructions apply to several models. Only perform this step if it applies to your appliance.
	To install, please follow the detailed description in the Guide.
	This section applies either to a single-door appliance or a double-door appliance.
	Choose one of the options: Appliance with right-hinged door or appliance with left-hinged door.
	Installation step necessary with IceMaker and/or InfinitySpring.
	Loosen or tighten screws slightly.
	Tighten the screws fully.
	Check to see if the next step applies for your model.
	Check the components are in correctly.
	Measure the specified measurement and adjust if necessary.
	Installation tool: Meter stick

	Tool for assembly: Cordless screwdriver and attachments
	Tool for assembly: Spirit level
	Tool for assembly: Size 7 and size 10 spanner
	Two people are required for this step.
	This step takes place at the selected location of the appliance.
	Aid for assembly: String
	Aid for assembly: Square
	Aid for assembly: Screwdriver
	Aid for assembly: Scissors
	Aid for assembly: Non-permanent marker pen
	Accessory kit: Remove components
	Dispose of components that are no longer needed.

13 **** freezer compartment door*

It is very easy to reposition the hinge of the **** freezer compartment door if the main door hinge is swapped. If the main door of the appliance can be opened to more than 115° (1), you can open the freezer compartment without repositioning the hinge. If the opening angle (2) of the appliance door is less than this, the hinge must be repositioned.

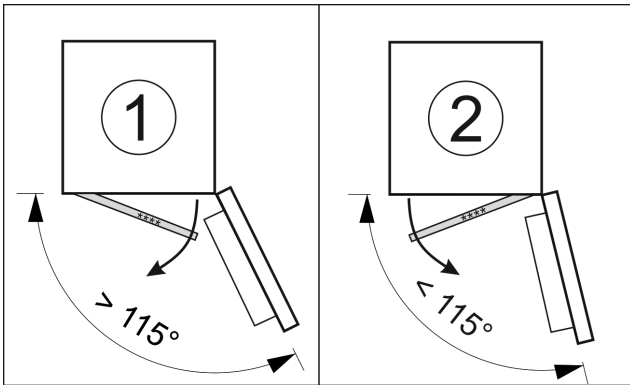


Fig. 4

13.1 Moving the door hinge

The slider for moving the door hinge is located on the back of the **** freezer compartment door at the bottom.

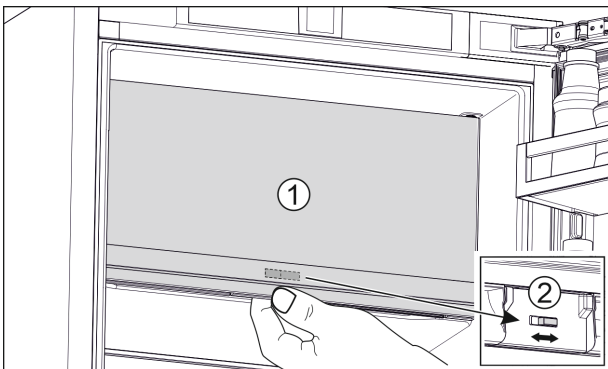


Fig. 5

- ▶ Close the **** freezer compartment door (1).
- ▶ Grab the **** freezer compartment door from below.
- ▶ Move the slider (2) either to the right or to the left.

14 Reversing the door

Tools

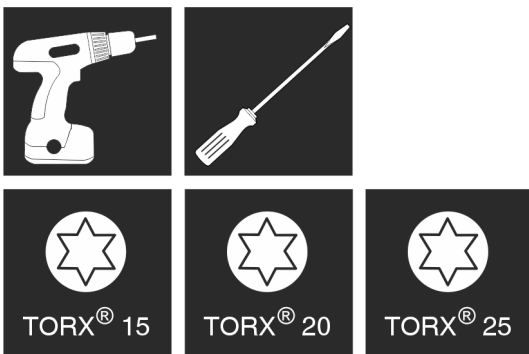


Fig. 6



WARNING

Risk of bodily injury due to the door falling off.
If the bearing parts are not installed with the proper torque, the door may fall off. In addition, the door may not close, thus impairing the cooling performance of the appliance.

- ▶ Die Lagerböcke/Lagerbolzen fest mit 4 Nm anschrauben.
- ▶ Check all screws and retighten if necessary.

NOTICE

Risk of damage to side-by-side appliances caused by condensate!*

Certain appliances can be set up as side-by-side combinations (two appliances beside one another).

If your appliance **is a side-by-side appliance**:

- ▶ Install the SBS combination in accordance with the accompanying sheet.

If the **configuration of appliances is specified**:

- ▶ Do not change the door stop.

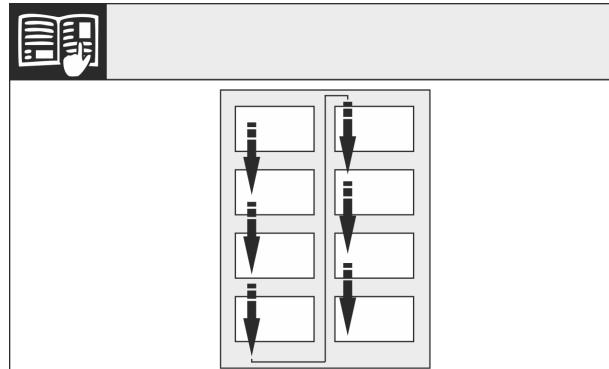


Fig. 7

Observe the reading direction.

14.1 Removing the door

Note

- ▶ To prevent food items from falling out, take all food out of the door racks before removing the door.

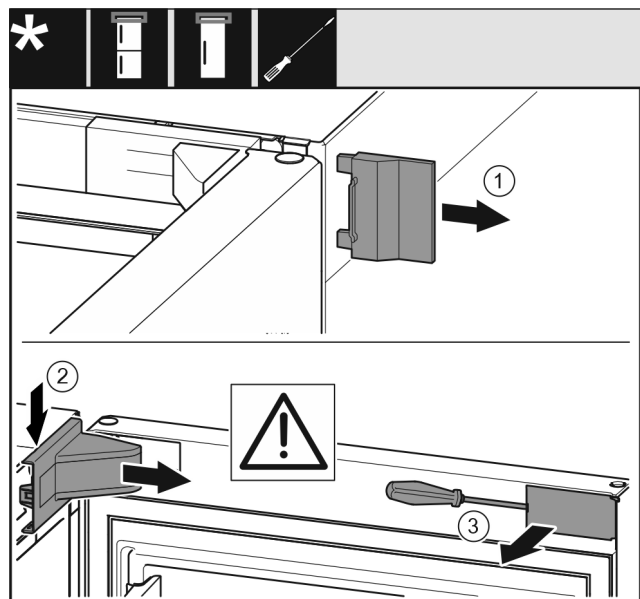


Fig. 8

- ▶ Open the door.

NOTICE

Risk of damage!

If the door seal is damaged the door may not close properly and the level of cooling is insufficient.

- ▶ Do not damage the door seal with the screwdriver!

- ▶ Remove the outer cover. Fig. 8 (1)
- ▶ Disengage and release the bearing bracket cover. Remove the bearing bracket cover. Fig. 8 (2)
- ▶ Unlatch the panel with a slotted screwdriver and swivel it to one side. Fig. 8 (3)

Reversing the door

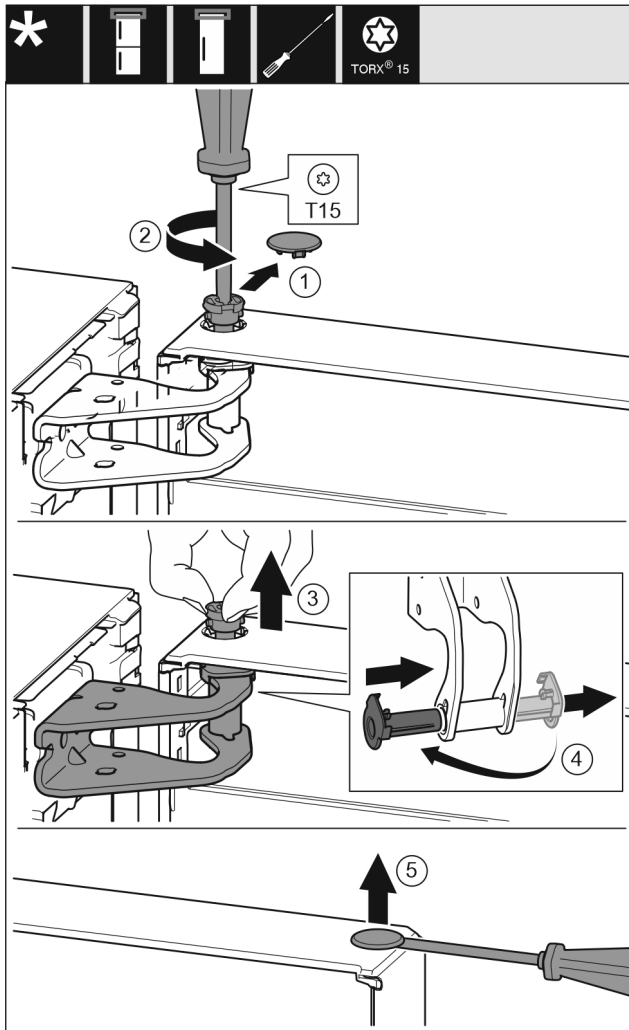


Fig. 9



CAUTION

Risk of injury if the door tips out!

- ▶ Keep a steady grip on the door.
- ▶ Set the door down carefully.

- ▶ Carefully remove the protective cover. Fig. 9 (1)
- ▶ Loosen the bolts slightly with a T15 screwdriver. Fig. 9 (2)
- ▶ Hold the door and remove the bolts with your fingers. Fig. 9 (3)
- ▶ Pull the bearing bush out of the guide. Insert from the other side and latch into place. Fig. 9 (4)
- ▶ Lift the door and place it to one side.
- ▶ Carefully lift the plugs out of the door bearing bush with a slotted screwdriver and remove them. Fig. 9 (5)

14.2 Reversing the freezer compartment door*

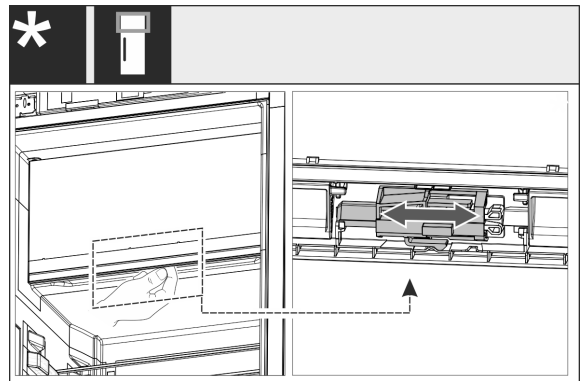


Fig. 10

- ▶ For single-door appliances: Switch the door hinge of the 4-star compartment by shifting the lever. The door of the 4-star compartment must be closed for this to happen. Shift the lever on the back of the door from below.

14.3 Moving the upper bearing parts to the other side

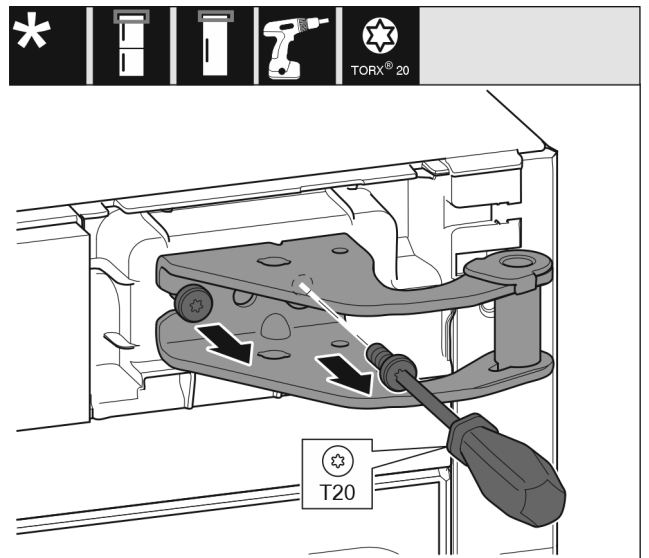


Fig. 11

- ▶ Remove both screws with a T20 screwdriver.
- ▶ Lift and remove the bearing bracket.

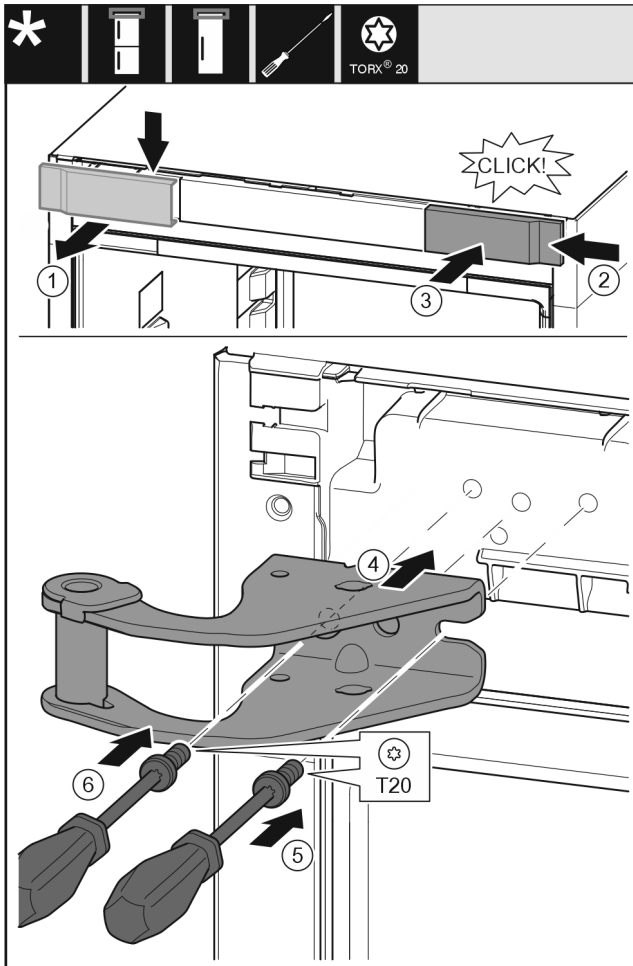


Fig. 12

- ▶ Take off the cover to the front from above. Fig. 12 (1)
- ▶ Rotate the cover 180° and clip onto the other side from the right. Fig. 12 (2)
- ▶ Latch the cover into place. Fig. 12 (3)
- ▶ Position the upper bearing bracket. Fig. 12 (4)
- ▶ Insert the screw with a T20 screwdriver and tighten it. Fig. 12 (5)
- ▶ Insert the screw with a T20 screwdriver and tighten it. Fig. 12 (6)

14.4 Moving the lower bearing parts to the other side

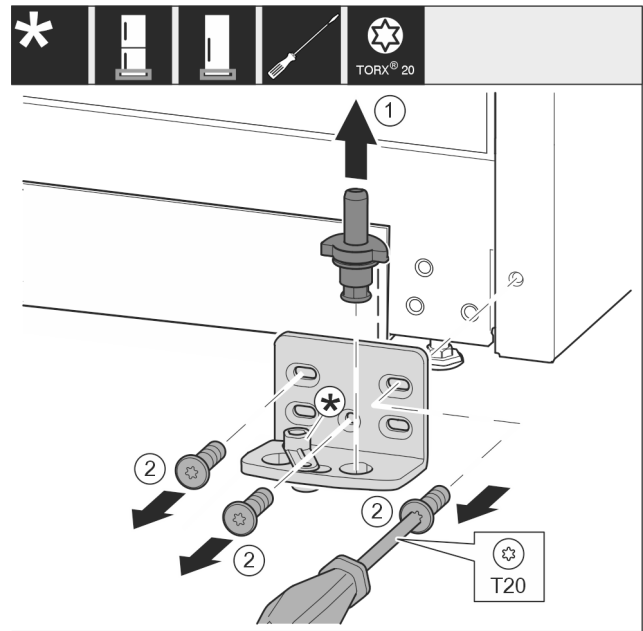


Fig. 13

- ▶ Lift the bearing pin completely upward and remove it. Fig. 13 (1)
- ▶ Remove the screws with the T20 screwdriver and take off the bearing bracket. Fig. 13 (2)

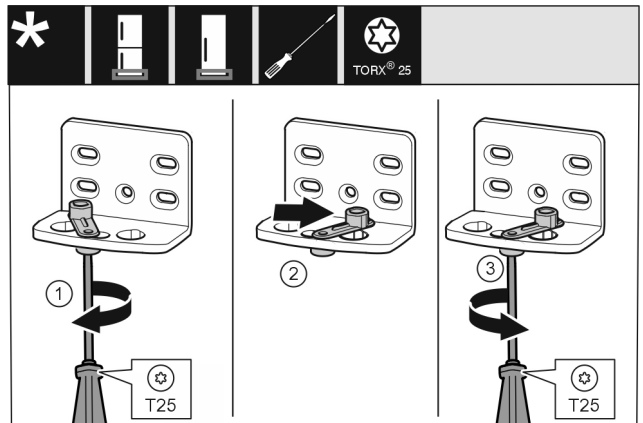


Fig. 14

- ▶ Loosen the screw using a T25 screwdriver. Fig. 14 (1)
- ▶ Lift the door closing aid and turn it 90° to the right in the hole. Fig. 14 (2)
- ▶ Tighten the screw using the T25 screwdriver. Fig. 14 (3)

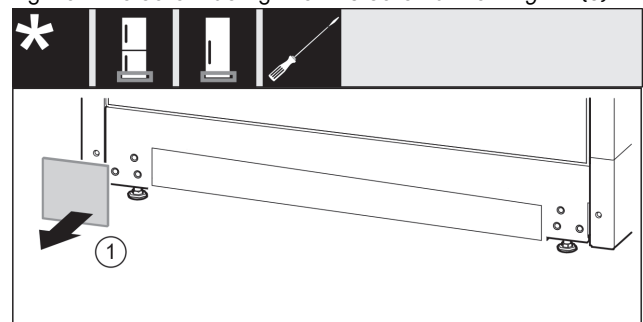


Fig. 15

- ▶ Take off the cover. Fig. 15 (1)

Reversing the door

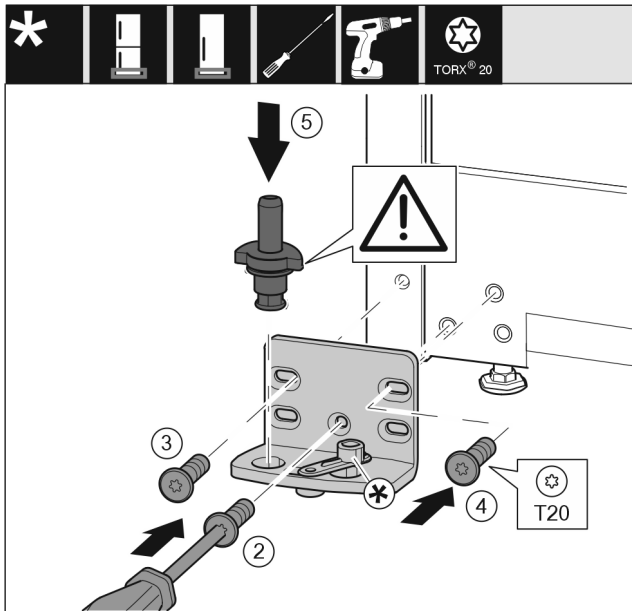


Fig. 16

- ▶ Place the bearing bracket on the other side and screw it in using the T20 screwdriver. Start with screw 2 at the bottom in the middle. Fig. 16 (2)
- ▶ Screw in screws 3 and 4. Fig. 16 (3,4)
- ▶ Insert the bearing pin completely. Make sure that the latching lug is pointing to the rear. Fig. 16 (5)

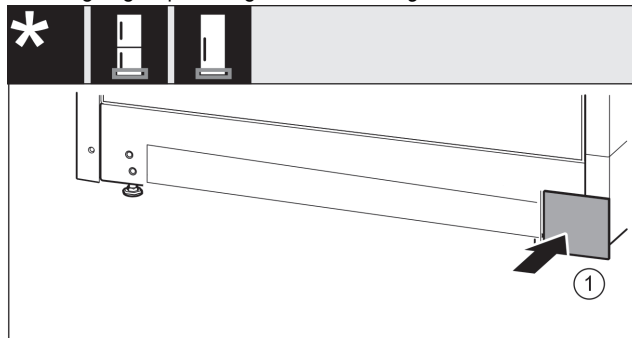


Fig. 17

- ▶ Put back the cover on the other side. Fig. 17 (1)

14.5 Moving the door bearing parts to the other side

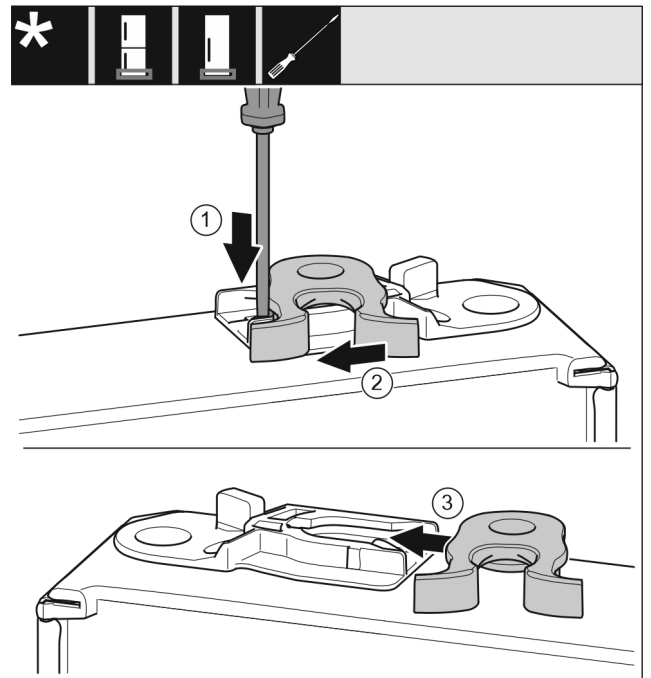


Fig. 18

- ▶ Underside of door faces upwards: Turn the door.
- ▶ Push the lug downward with a slotted screwdriver. Fig. 18 (1)
- ▶ Pull the door latch out of the guide. Fig. 18 (2)
- ▶ Push the door latch into the guide on the other side. Fig. 18 (3)
- ▶ Upper side of door faces upwards: Turn the door.

14.6 Fitting the door

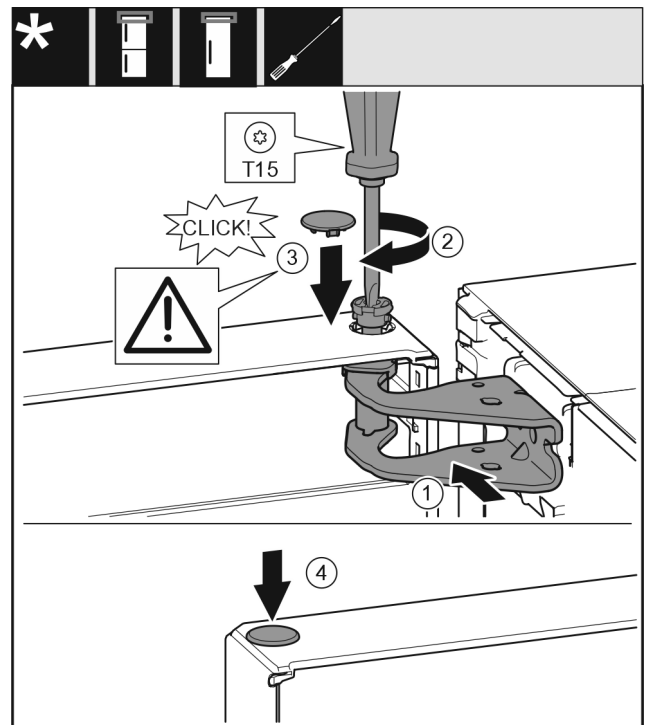


Fig. 19

- ▶ Place the door on the bottom bearing pins.
- ▶ Align the top of the door with opening in the bearing bracket. Fig. 19 (1)

- ▶ Insert the bolt and tighten with a T15 screwdriver. *Fig. 19 (2)*
- ▶ Fit the protective cover to protect the door: Insert the protective cover and check that it lies flush on the door. If not, insert the bolt fully. *Fig. 19 (3)*
- ▶ Insert the plugs. *Fig. 19 (4)*

14.7 Aligning the door



WARNING

Risk of bodily injury due to the door falling off. If the bearing parts are not installed with the proper torque, the door may fall off. In addition, the door may not close, thus impairing the cooling performance of the appliance.

- ▶ Die Lagerböcke fest mit 4 Nm anschrauben.
 - ▶ Check all screws and retighten if necessary.
-
- ▶ Align the doors flush with the appliance housing using the two slots in the lower bearing bracket, if needed. To do this undo the middle screw in the bottom bearing bracket with the T20 tool supplied. Undo the remaining screws a little with the T20 tool or with a T20 screwdriver and align via the slots.
 - ▶ Prop up the door: Screw out the adjustable foot on the bearing bracket using the open-ended wrench SW10 until it comes into contact with the floor, then turn an additional 90°.

14.8 Fitting the covers

For appliances without soft stop mechanism:

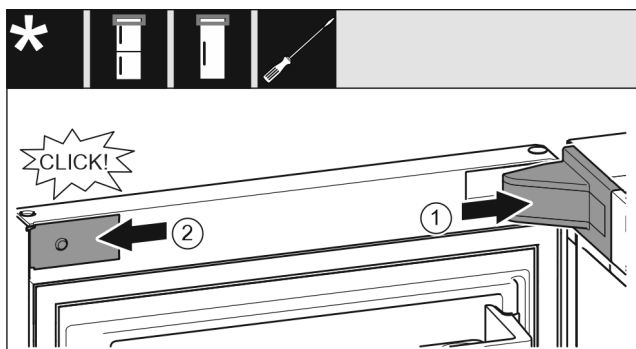


Fig. 20

The door is open 90°.

- ▶ Position the bearing bracket cover and engage it. If necessary push it apart carefully. *Fig. 20 (1)*
- ▶ Position the panel on the side and latch into place. *Fig. 20 (2)*

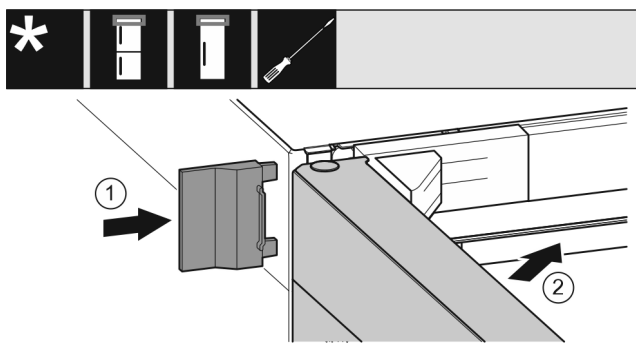


Fig. 21

- ▶ Slide on the outer cover. *Fig. 21 (1)*
- ▶ Close the upper door. *Fig. 21 (2)*

15 Connecting the appliance



WARNING

Incorrect connection!
Risk of fire.

- ▶ Do not use an extension cord.
- ▶ Do not use a multipoint connector strip.

NOTICE

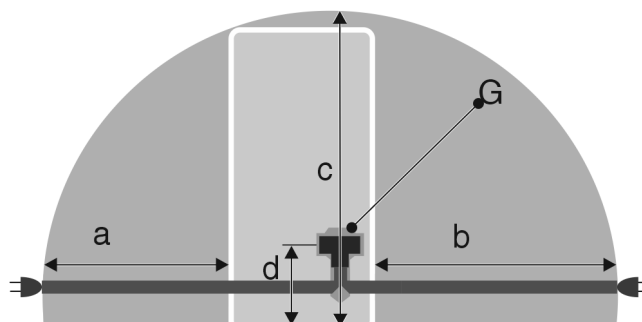
Incorrect connection!
Damage to the electronics.

- ▶ Do not connect the appliance to a stand-alone inverter, e.g. solar power systems and petrol generators.
- ▶ Do not use an energy saving plug.

Note

Only use the mains cable supplied.

- ▶ A longer mains cable can be ordered from Customer Service.



*Fig. 22 **

For 600 mm wide appliances:

a*	b*	c*	d*	G*
~ 1350 mm	~ 1800 mm	~ 2050 mm	~ 150 mm	Appliance plug

Make sure that the following requirements are fulfilled:

- The type of current and voltage at the installation site complies with the information on the serial tag.
- The socket is grounded and fused in accordance with regulations.
- The tripping current for the fuse is between 10 and 16 A.
- The socket is easily accessible.
- The socket is not located behind the appliance but in areas a or b (a, b, c).
- ▶ Check the electrical connection.
- ▶ Insert the appliance plug (G) on the rear side of the appliance. Ensure that they latch into place correctly.
- ▶ Connect the mains plug to the power supply.
- ▷ The Liebherr logo appears on the screen.
- ▷ The display switches to the standby symbol.



home.liebherr.com/fridge-manuals

EN Refrigerator

Issue date: 20221006

Part number index: 7080444-01

Liebherr-Hausgeräte Marica EOOD
Bezirk Plovdiv
4202 Radinovo
Bulgarien