

BLU
Performance

Legendary German Engineering

Quality, Design and Innovation



SBSes 8486 (SWTNes 4265 & SKBes 4360)



SKBes 4360



LIEBHERR



2.4" Touchscreen Display: Located behind the appliance door, this high-resolution and high-contrast 2.4" touchscreen display can be read from any angle. Stored menu options are intuitive and easy-to-operate.



BioFresh-Plus: With the adjustable temperature range of 0°C and -2°C, BioFresh-Plus technology offers even more flexibility for your produce. The BioFresh-Plus safe includes a versatile Fish & Seafood-Safe.



PowerCooling: A high-performance system that allows freshly stored items to be chilled rapidly while maintaining an even temperature throughout the interior. In this energy-efficient BluPerformance range, the fan switches off when the appliance door is opened, saving valuable energy.

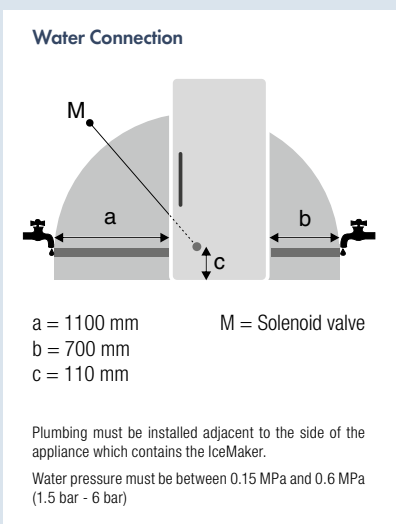
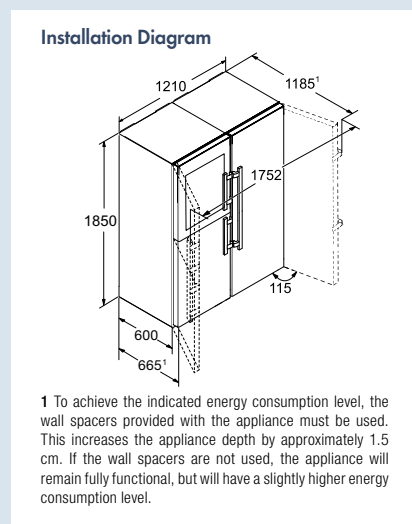
Note: Whilst every effort is made to ensure all specifications and information in this flyer are accurate, Liebherr reserves the right to make changes without notification. Where actual appliance measurements, specifications, and ratings are crucial, we recommend that the actual appliance installation instructions that accompany each appliance be checked. Liebherr will not be liable for any loss.

Introducing Liebherr's award-winning Side-by-Side model from the BluPerformance range – the **SBSes 8486**. This eye-catching unit boasts an array of innovative solutions with six different climate zones but its multi-temperature wine compartment is what makes it most unique! Enjoy added flexibility with BioFresh-Plus safe which offers an adjustable temperature range of 0°C and -2°C. Comes with a versatile Fish & Seafood-Safe. Change the activated charcoal filter² every 12 months to maintain the air quality in your appliance.

SBSes 8486
PremiumPlus

- Bio Fresh-Plus
- No Frost
- Ice Maker
- Wine
- Soft System
- Soft Telescopic
- Smart Steel

Refrigerator capacity litre	366
BioFresh comp. litre	132
Wine capacity litre	153
Freezer capacity litre	126
Max No. of Bordeaux bottles (0.75l) *	48
Number of shelves	6
Number of door racks	5
Number of freezer drawers	5 with LED
Number of BioFresh drawers	3 with LED
Electronic control	2.4" TFT-colour temp. display, touch electronic
Door / side walls	Stainless steel with SmartSteel / Stainless steel with SmartSteel
Refrigerator temperature range °C	+2°C to +9°C
Freezer temperature range °C	-14°C to -26°C
Wine temperature range °C	+5°C to +20°C
Temperature alarm	Visual and audible
Defrost type	Automatic
Interior light	LED ceiling lighting with dimmer function
Door alarm	Visual and audible
IceMaker	Fixed water connection 20mm (3/4")
Ice cube output kg/24h	1.2
SoftSystem	Yes
Door hinges	Left, right
Product dimensions (H/W/D) cm	185 / 121 / 66.5
Gross / Net weight kg	198.5 / 178.7
Voltage V/Hz	220-240 / 50 / 60



* These models are only bound for storing wine. Max. DIN norm bordeaux bottle capacity (0.75 l) as per norm NF H 35-124 (H:300.5 mm, Ø 76.1mm)

² Available accessory: Activated Charcoal Filter (Part no. 988111600)