

One Solution For All Your Favourites

Quality, Design and Innovation



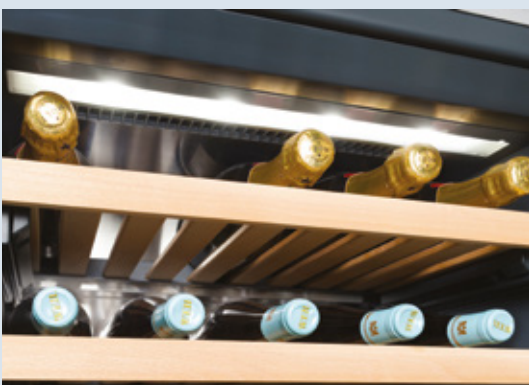
LIEBHERR



Electronic LCD Display: Intuitive navigation of touch electronic control system enables tailored storage options. The digital temperature display can be viewed via the UV tinted glass door.



Presentation shelf: The practical shelf of our Vinidor range fulfils both bottle storage and presentation functions, while telescopic rails enable smooth shelf sliding. Bottles can be stored horizontally at the rear.

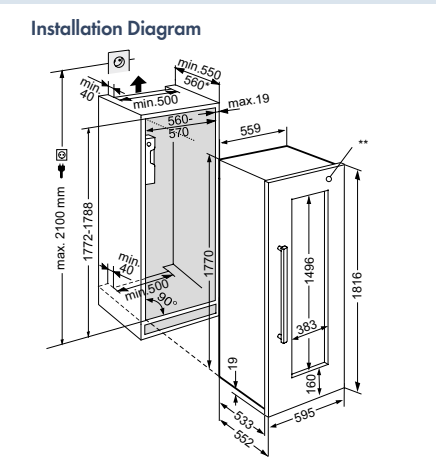


LED lighting: The light in the cooling compartments can be dimmed to give a pleasing ambient light inside the appliance.

The advanced dual-zone **EWTdf 3553** offers a number of innovative solutions for wine storage. Controls are integrated into the insulation layer between the temperature zones, making it possible to set two different temperatures within the unit. Store red and white wines according to your preference, each at its optimum drinking temperature. This wine cabinet is compatible with furniture overlay panels (supplied by your kitchen retailer) or Liebherr's stainless steel frame or aluminium accessories¹.

EWTdf 3553	LED	Wine	Soft System	Telescopic Rails
Vinidor				

Energy consumption (kWh/y)	162
Sound rating dB(A) *	34
Total capacity litre	256
Max No. of Bordeaux bottles (0.75l) **	80
Number of shelves	10
Shelves on telescopic rails	8
Shelf material	Beech wood shelves
Presentation shelf	1
Electronic control	LCD display, touch electronic
Temperature range °C	+5°C to +20°C
Temperature zones	2
Temperature alarm	Visual and audible
Interior light	LED
Door alarm	Audible
Safety thermostat	Yes
Activated charcoal filter	Yes
Door type	Panel ready or stainless steel panel as accessory
Integrated lock	Yes
SoftSystem	Yes
Door hinges	Right, reversible
Product dimensions (H/W/D) cm	177 / 55.7 / 55.3
Cut out dimensions (H/W/D) cm	177.2 - 178.8 / 56 - 57 / min. 55
Gross / Net weight kg	98 / 88
Voltage V/Hz	220-240 / 50



Activated Charcoal Filter
Part no.: 988128900

* Noise output - according to EN 60704-3
 ** These models are only bound for storing wine. Max. DIN norm bordeaux bottle capacity (0.75 l) as per norm NF H 35-124 (H:300.5 mm, Ø 76.1mm)
¹ Optional accessories: Stainless Steel Frame & Aluminum Handle (Part no. 990157300), Aluminum frame for inserting own cabinet panel – 19 mm or 22 mm thickness (Part no. 990108000 or 990108300), Aluminum Handle (Part no. 990156100), Activated Charcoal Filter (Part no. 988128900)