

Savour The Difference With A Liebherr

Quality, Design and Innovation



LIEBHERR



Electronic LCD Display: Intuitive navigation of our touch electronic control system enables tailored storage options. The digital temperature display can be viewed via the UV tinted glass door.



Wooden shelves: Liebherr's natural untreated beechwood shelves are ideal for storing Bordeaux bottles. On telescopic rails, these shelves can be pulled out smoothly and elegantly.



LED lighting: The light in the cooling compartments can be dimmed to give a pleasing ambient light inside the appliance.

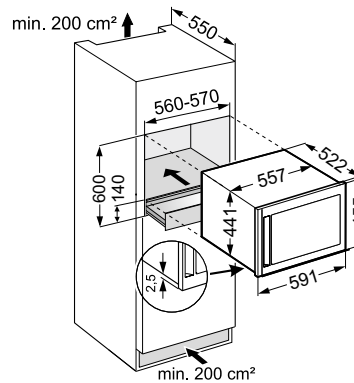
WKEes 553, the fully integrated wine unit that holds 18 Bordeaux bottles in an ideal storage environment. Innovative styling allows the unit to sit flushed in with your cabinetry and incorporates beautifully into your custom kitchen design. Take advantage of the appliance's design flexibility – place this sleek, modular wine cabinet anywhere in your home and proudly display your fine wine collection at eye level. Add-on a pull-out drawer¹ for extra space to store wine accessories. Temperature is adjustable from +5°C to +20°C and the LED ceiling light is dimmable to cast a cool glow across the room. The insulated glass door with UV protection and activated charcoal filter protects your wine from light and odour.

WKEes 553
GrandCru

- LED
- Wine
- Telescopic Rails

Energy consumption (kWh/y)	130
Sound rating dB(A) *	34
Total capacity litre	47
Max No. of Bordeaux bottles (0.75l) **	18
Number of shelves	3
Shelves on telescopic rails	2
Shelf material	Beech wood shelves
Presentation shelf	0
Electronic control	LCD display, touch electronic
Temperature range °C	+5 °C to +20 °C
Temperature zones	1
Temperature alarm	Visual and audible
Interior light	LED
Door alarm	Audible
Safety thermostat	No
Activated charcoal filter	Yes
Door type	Glazed door with stainless steel frame
Integrated lock	No
SoftSystem	No
Door hinges	Right, reversible
Product dimensions (H/W/D) cm	44.1 / 55.7 / 52.2
Cut out dimensions (H/W/D) cm	45 / 56 - 57 / min. 55
Gross / Net weight kg	34 / 31
Voltage V/Hz	220-240 / 50

Installation Diagram



Activated Charcoal Filter
Part no.: 743324300

* Noise output - according to EN 60704-3

** These models are only bound for storing wine. Max. DIN norm bordeaux bottle capacity (0.75 l) as per norm NF H 35-124 (H:300.5 mm, Ø 76.1mm)

¹ Optional accessories: Stainless Steel Drawer (Part no. 990108400) Activated Charcoal Filter (Part no: 743324300)