

GFT50S2HC

ProfiLine



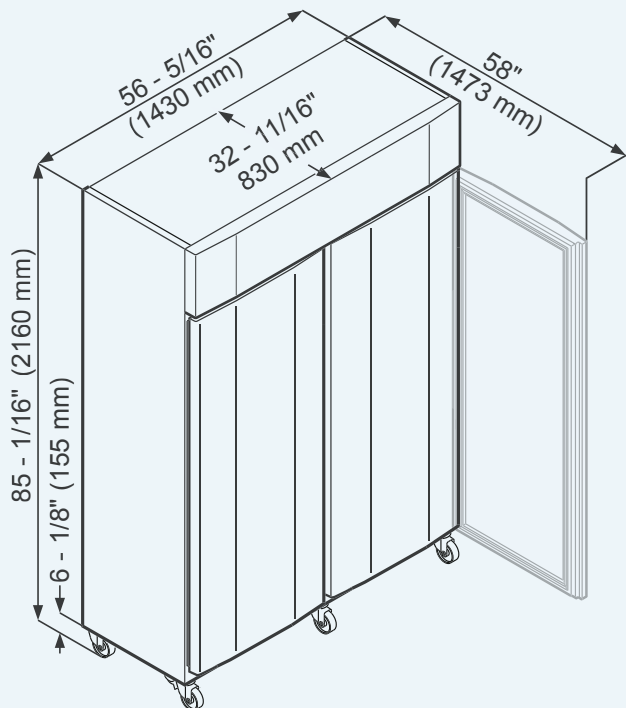
 GERMAN
ENGINEERING

LIEBHERR

Food Service Freezer with Top Mount Compressor and Stainless Steel Inner Liner



Unit Dimensions



Double Door Freezer with Top Mount Compressor	
Total gross/net capacity cu.ft. (l)	48.1/46.7 (1361/1322)
Exterior dimensions in inches (w/d/h) in mm (w/d/h)	56 5/16"/32 11/16"/85 1/8" 1430/830/2162
Interior dimensions in inches (w/d/h) in mm (w/d/h)	48 7/8"/25 5/8"/61 1/16" 1240/650/1550
Energy consumption in 365 days *	3220 kWh
Ambient temperature in °F (°C)	61°F to 109°F (16°C to 43°C)
Refrigerant	R290
Sound rating **	65 dB(A)
Connection rating	10.0 A/700 W
Frequency/voltage	60 Hz/115V~
Cooling system	forced-air
Defrost	automatic
Temperature range in °F (°C)	14°F to -13°F (-10°C to -25°C)
External cabinet finish	stainless steel
Door/lid material	stainless steel
Internal liner material	stainless steel
Type of control	electronic control
Temperature display	external digital
Alarm	visual and audible
Alarm forwarding	yes
Interior light	LED ceiling light
Adjustable shelves	8
Shelf material	304-grade stainless steel wire shelves
Shelf load weight in lbs (kg)	132.3 (60)
Usable shelf area in inches (mm)	48 7/8"/25 1/4" (1240/640)
Casters	casters with brake at the front, fixed casters at the rear
Handle	full-length integrated handle
Lock	recessed
Self-closing door	yes
Door hinges	left fixed/right fixed
Insulation in inches (mm)	3 5/16" - 2 3/8" (83 - 60)
Gross/net weight in lbs (kg)	557.8/458.6 (253/208)
Accessories	
U-shaped tray slide, right/left	9001761/9001757
Wire shelf	7112904
Middle shelf	7112389
Foot pedal opener	9590639
Side-by-Side kit	9901969
Adjustable feet	9593438

* Measured unloaded at 80°F (26.6°C) ambient temperature with set point of 0°F (-17.7°C).

** Noise level – sound power re 1pW – according to IEC 60704-2-14.

Subject to modification. For up-to-date information, visit home.liebherr.com.