

GFT21S2HC

ProfiLine



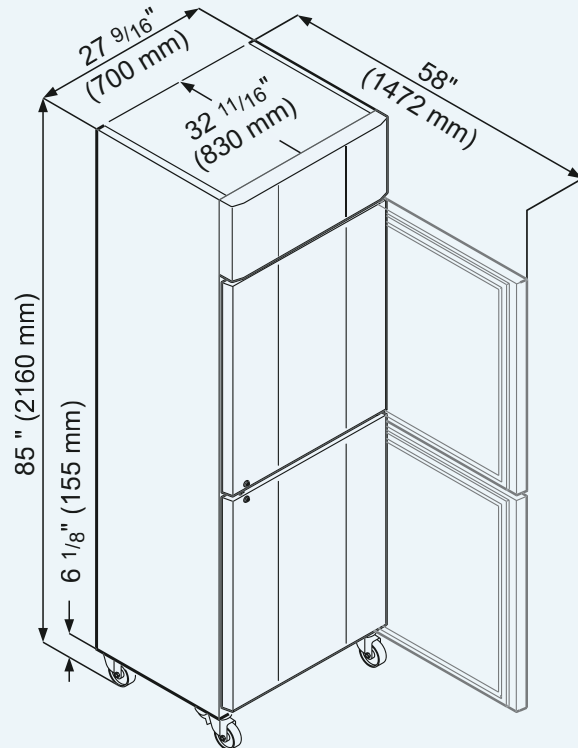
 GERMAN
ENGINEERING

LIEBHERR

Food Service Freezer with Top Mount Compressor and Stainless Steel Inner Liner



Unit Dimensions



Half Doors Freezer with Top Mount Compressor	GFT21S2HC Profiline	No Frost	LED
Total gross/net capacity cu.ft. (l)	21.0/20.4 (596/578)		
Exterior dimensions in inches (w/d/h)	27 9/16"/32 11/16"/85 1/16"		
in mm (w/d/h)	700/830/2160		
Interior dimensions in inches (w/d/h)	20 1/8"/25 5/8"/59 1/16"		
in mm (w/d/h)	510/650/1500		
Energy consumption in 365 days *	1662 kWh		
Ambient temperature in °F (°C)	61°F to 109°F (16°C to 43°C)		
Refrigerant	R290		
Sound rating **	65 dB(A)		
Connection rating	10.0 A/700 W		
Frequency/voltage	60 Hz/115V~		
Cooling system / Defrost	forced-air / automatic		
Temperature range in °F (°C)	14°F to -13°F (-10°C to -25°C)		
External cabinet finish	stainless steel		
Door/lid material	stainless steel		
Internal liner material	stainless steel		
Type of control	electronic control		
Temperature display	external digital		
Alarm	visual and audible		
Alarm forwarding	yes		
Interior light	LED ceiling light		
Adjustable shelves	4		
Shelf material	clear-coated wire shelves		
Shelf load weight in lbs (kg)	132.3 (60)		
Usable shelf area in inches (mm)	20 1/8"/25 1/4" (510/640)		
Casters	casters with brake at the front, fixed casters at the rear		
Handle	full-length integrated handle		
Lock	recessed		
Self-closing door	yes		
Door hinges	right, reversible on site		
Insulation in inches (mm)	3 5/16" - 2 3/8" (83-60)		
Gross/net weight in lbs (kg)	339.5/282.2 (154/128)		
Accessories			
Wire shelf	7112552		
Foot pedal opener	9590659		
Adjustable legs	9593397		

* Measured unloaded at 80°F (26.6°C) ambient temperature with set point of 0°F (-17.7°C).

** Noise level – sound power re 1pW – according to IEC 60704-2-14.

Subject to modification. For up-to-date information, visit home.liebherr.com.