

GRT50S2HC

ProfiLine



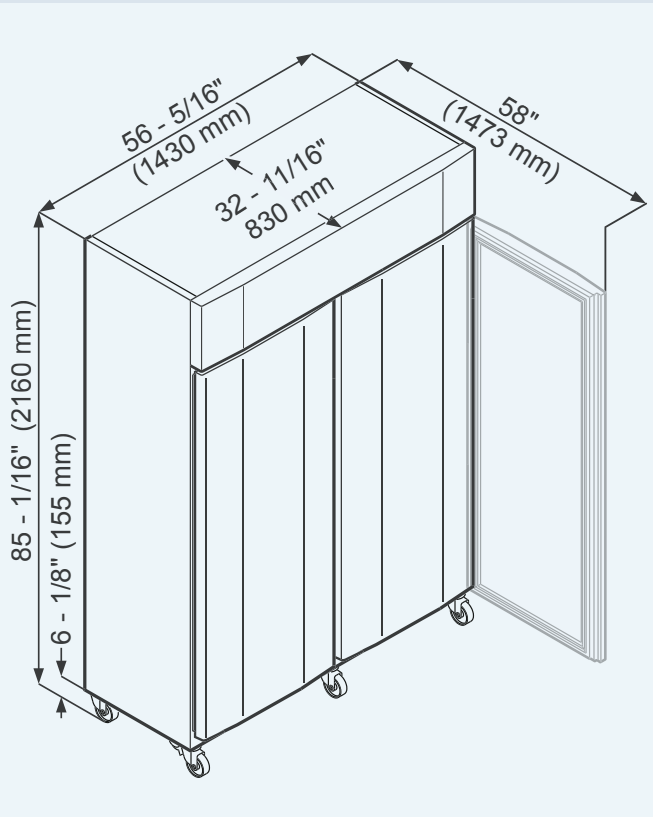
 GERMAN
ENGINEERING

LIEBHERR

Food Service Refrigerator with Top Mount Compressor and Stainless Steel Inner Liner



Unit Dimensions



Double Door Refrigerator with Top Mount Compressor		GRT50S2HC Profiline	LED
Total gross/net capacity cu.ft. (l)		48.1/46.7 (1361/1322)	
Exterior dimensions in inches (w/d/h) in mm (w/d/h)		56 5/16"/32 11/16"/85 1/8" 1430/830/2162	
Interior dimensions in inches (w/d/h) in mm (w/d/h)		48 7/8"/25 5/8"/61 1/16" 1240/650/1550	
Energy consumption in 365 days *		876 kWh	
Ambient temperature in °F (°C)		61°F to 109°F (16°C to 43°C)	
Refrigerant		R290	
Sound rating **		62 dB(A)	
Connection rating		5.0 A/500 W	
Frequency/voltage		60 Hz/115V~	
Cooling system		forced-air	
Defrost		automatic	
Temperature range in °F (°C)		28°F to 61°F (-2°C to 16°C)	
External cabinet finish		stainless steel	
Door/lid material		stainless steel	
Internal liner material		stainless steel	
Type of control		electronic control	
Temperature display		external digital	
Alarm		visual and audible	
Alarm forwarding		yes	
Interior light		LED ceiling light	
Adjustable shelves		8	
Shelf material		304-grade stainless steel wire shelves	
Shelf load weight in lbs (kg)		132.3 (60)	
Usable shelf area in inches (mm)		48 7/8"/21 5/16" (1240/540)	
Casters		casters with brake at the front, fixed casters at the rear	
Handle		full-length integrated handle	
Lock		recessed	
Self-closing door		yes	
Door hinges		left fixed/right fixed	
Insulation in inches (mm)		3 5/16" – 2 3/8" (83 – 60)	
Gross/net weight in lbs (kg)		542.3/440.9 (246/200)	
Accessories			
U-shaped tray slide, right/left		9001761/9001757	
Wire shelf		7112904	
Middle shelf		7112389	
Foot pedal opener		9590639	
Side-by-Side kit		9901969	
Adjustable feet		9593438	

* Measured unloaded at 80°F (26.6°C) ambient temperature with set point of 38°F (3.3°C).

** Noise level – sound power re 1pW – according to IEC 60704-2-14.

Subject to modification. For up-to-date information, visit home.liebherr.com.