

# GRT21S1HC

---

ProfiLine



---


 GERMAN  
ENGINEERING

---

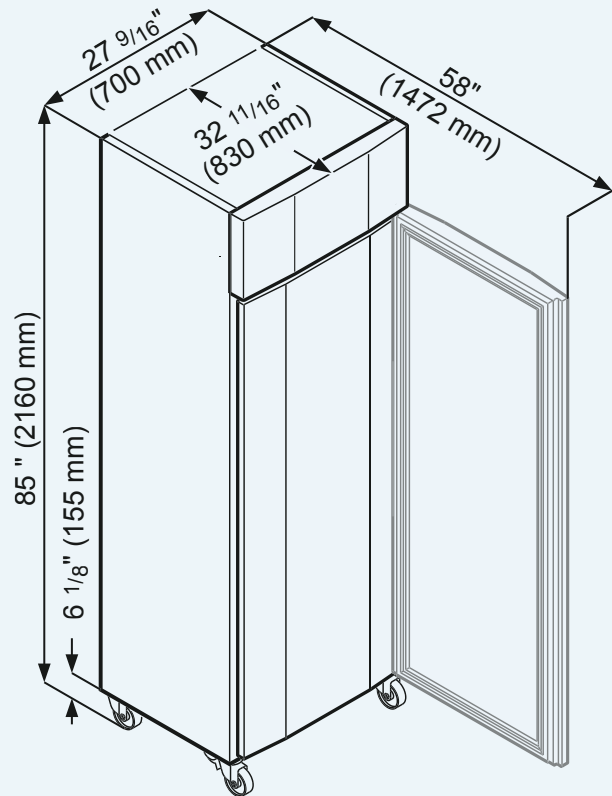
# LIEBHERR

# Food Service Refrigerator with Top Mount Compressor and Stainless Steel Inner Liner



<b>Single Door Refrigerator</b> with Top Mount Compressor		<b>GRT21S1HC</b> Profiline 	
Total gross/net capacity cu.ft. (l)	21.1/20.5 (597/580)		
Exterior dimensions in inches (w/d/h) in mm (w/d/h)	27 9/16"/32 11/16"/85 1/8" 700/830/2162		
Interior dimensions in inches (w/d/h) in mm (w/d/h)	20 1/8"/25 5/8"/61 1/16" 510/650/1550		
Energy consumption in 365 days *	464 kWh		
Ambient temperature in °F (°C)	61°F to 109°F (16°C to 43°C)		
Refrigerant	R290		
Sound rating **	62 dB(A)		
Connection rating	4.0 A/400 W		
Frequency/voltage	60 Hz/115V~		
Cooling system	forced-air		
Defrost	automatic		
Temperature range in °F (°C)	28°F to 61°F (-2°C to 16°C)		
External cabinet finish	stainless steel		
Door/lid material	stainless steel		
Internal liner material	stainless steel		
Type of control	electronic control		
Temperature display	external digital		
Alarm	visual and audible		
Alarm forwarding	yes		
Interior light	LED ceiling light		
Adjustable shelves	4		
Shelf material	304-grade stainless steel wire shelves		
Shelf load weight in lbs (kg)	132.3 (60)		
Usable shelf area in inches (mm)	20 1/8"/21 5/16" (510/540)		
Casters	casters with brake at the front, fixed casters at the rear		
Handle	full-length integrated handle		
Lock	recessed		
Self-closing door	yes		
Door hinges	right, reversible on site		
Insulation in inches (mm)	3 5/16" – 2 3/8" (83 – 60)		
Gross/net weight in lbs (kg)	319.7/266.8 (145/121)		
<b>Accessories</b>			
Wire shelf	7112904		
Foot pedal opener	9590659		
Side-by-Side kit	9901969		
Adjustable feet	9593397		

## Unit Dimensions



\* Measured unloaded at 80°F (26.6°C) ambient temperature with set point of 38°F (3.3°C).  
 \*\* Noise level – sound power re 1pW – according to IEC 60704-2-14.

Subject to modification. For up-to-date information, visit [home.liebherr.com](http://home.liebherr.com).