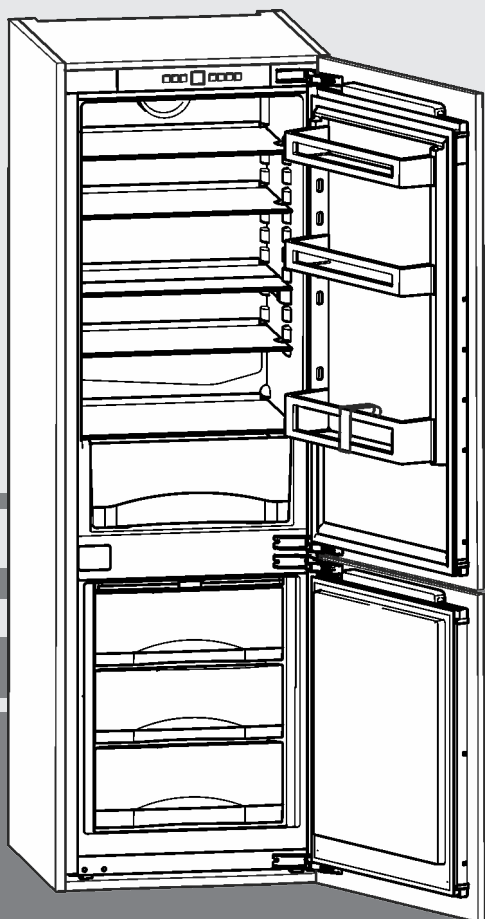


# User Guide

Integrated fridge/freezer

EN



20220315 **7086636 - 00**

ICNS / SICN

# LIEBHERR

## Contents

<b>1</b>	<b>Appliance at a glance</b> .....	<b>2</b>
1.1	Description of appliance and equipment.....	2
1.2	Appliance range of use.....	2
1.3	Conformity.....	3
1.4	Saving energy.....	3
<b>2</b>	<b>General safety information</b> .....	<b>3</b>
<b>3</b>	<b>Controls and displays</b> .....	<b>4</b>
3.1	Operating and control elements.....	4
3.2	Temperature display.....	4
<b>4</b>	<b>Putting into operation</b> .....	<b>4</b>
4.1	Transporting the appliance.....	4
4.2	Disposing of packaging.....	5
4.3	Switching on the appliance.....	5
<b>5</b>	<b>Control</b> .....	<b>5</b>
5.1	Child proofing.....	5
5.2	Door alarm.....	5
5.3	Temperature alarm.....	5
5.4	Refrigerator compartment.....	6
5.5	Freezer compartment.....	7
<b>6</b>	<b>Maintenance</b> .....	<b>9</b>
6.1	Defrosting with NoFrost.....	9
6.2	Cleaning the appliance.....	9
6.3	Customer service.....	9
<b>7</b>	<b>Malfunctions</b> .....	<b>10</b>
<b>8</b>	<b>Decommissioning</b> .....	<b>11</b>
8.1	Switching off the appliance.....	11
8.2	Taking the appliance out of service.....	11
<b>9</b>	<b>Disposal</b> .....	<b>11</b>

The manufacturer works constantly on the further development of all the types and models. Therefore please understand that we have to reserve the right to make design, equipment and technical modifications.

To get to know all the benefits of your new appliance, please read the information contained in these instructions carefully.

The instructions apply to several models. Differences may occur. Text relating only to specific appliances is marked with an asterisk (\*).

**Instructions are marked with a ►, and results are marked with a ▷.**

## 1 Appliance at a glance

### 1.1 Description of appliance and equipment

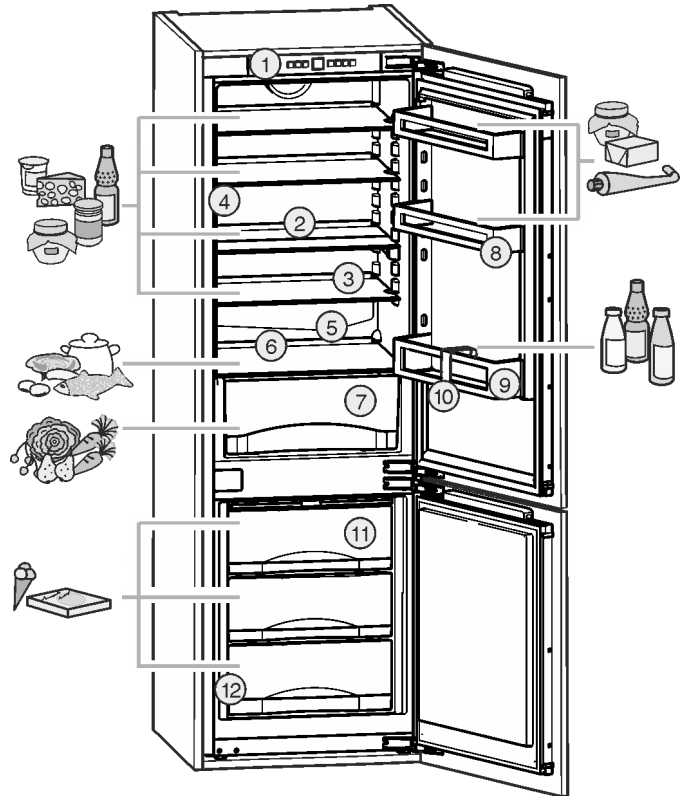


Fig. 1

- |                                    |                                 |
|------------------------------------|---------------------------------|
| (1) Operating and control elements | (7) Vegetable bin               |
| (2) Shelf, sectioned               | (8) Can rack                    |
| (3) Shelf                          | (9) Bottle rack                 |
| (4) LED interior light             | (10) Bottle holder              |
| (5) Drain hole                     | (11) Freezer compartment drawer |
| (6) Coldest zone                   | (12) Type plate                 |

#### Note

- Place food inside the appliance as shown in the diagram. This allows the appliance to save energy during operation.
- Shelves, drawers and baskets are arranged for optimum energy efficiency on delivery.

### 1.2 Appliance range of use

#### Intended use

The appliance is only suitable for cooling food products in a domestic or household-like environment. This includes, for example, use:

- in staff kitchens, bed and breakfast establishments,
- by guests in country houses, hotels, motels and other accommodation,
- for catering and similar services in the wholesale trade.

All other types of use are not permitted.

#### Foreseeable misuse

The following applications are expressly forbidden:

- Storing and refrigerating medicines, blood plasma, laboratory preparations or similar substances and products based on the Medical Device Directive 2007/47/EC
- Use in areas at risk of explosions

Misusing the appliance may lead to damage to the goods stored or they may spoil.

## Climate classifications

Depending on the climate classification the appliance is designed to operate in restricted ambient temperatures. The climate classification applying to your appliance is printed on the rating plate.

### Note

- Keep to the specified ambient temperatures in order to guarantee that the appliance works properly.

Climate classification	for ambient temperatures of
SN	10 °C to 32 °C
N	16 °C to 32 °C
ST	16 °C to 38 °C
T	16 °C to 43 °C

## 1.3 Conformity

The refrigerant circuit has been tested for leaks. When installed, the appliance complies with the applicable safety regulations and with the directives 2014/35/EU, 2014/30/EU, 2009/125/EC, 2011/65/EU, 2010/30/EU and 2014/53/EU.

The full text of the EU Declaration of Conformity is available on the following website: [www.Liebherr.com](http://www.Liebherr.com)

## 1.4 Saving energy

- Pay attention to good ventilation. Do not cover ventilation holes or grids.
- Always keep the fan air slits clear.
- Do not install the appliance in direct sunlight, next to an oven, radiator or similar.
- Energy consumption depends on the installation conditions, e.g. the ambient temperature (see 1.2 Appliance range of use) . A warmer ambient temperature can increase the energy consumption.
- Open the appliance for as short a time as possible.
- The lower the temperature is set the higher the energy consumption.
- Sort your food: [home.liebherr.com/food](http://home.liebherr.com/food).
- Keep all food properly packed and covered. This prevents frost from forming.
- Only take food out for as long as necessary so that it doesn't warm up too much.
- Inserting warm food: allow to cool down to room temperature first.
- Thaw frozen food in the refrigerator.
- If you intend to be on holiday for a long time empty the refrigerator and switch it off.

## 2 General safety information

### Danger for the user:

- This device can be used by children and people with impaired physical, sensory or mental abilities or with a lack of experience and knowledge provided that they are supervised or have received instruction in the safe use of this device, and about the resulting hazards. Children must not play with this appliance. Cleaning and user maintenance work must not be carried out by children without adult supervision. Children aged between 3 and 8 are allowed to load and unload the appliance. Children below the age of 3 must be kept away from the appliance unless they are under continuous adult supervision.
- When disconnecting the appliance from the supply, always take hold of the plug. Do not pull the cable.
- In the event of a fault pull out the mains plug or deactivate the fuse.
- Do not damage the mains power cable. Do not operate the appliance with a defective mains power cable.
- Repairs, interventions on the appliance and the replacement of mains connection line may only be carried out by After-Sales Service or other suitably trained specialist personnel.
- Only install, connect and dispose of the appliance according to the instructions.
- Only use the appliance when it is installed.
- Please keep these instructions in a safe place and pass them on to any subsequent owners.

### Fire hazard:

- The coolant used (information on the model plate) is eco-friendly but also flammable. Any leaking coolant may ignite.
  - Do not damage the refrigerant circuit pipes.
  - Do not handle ignition sources inside the appliance.
  - Do not use electrical appliances inside the appliance (e.g. steam cleaners, heaters, ice cream makers, etc.).
  - If the refrigerant leaks: remove any naked flames or ignition sources from the vicinity of the leakage point. Properly air the room. Inform customer services.
- Do not store explosives or sprays using combustible propellants such as butane, propane, pentane, etc. in the appliance. To identify these spray cans, look for the list of contents printed on the can, or a flame

# Controls and displays

symbol. Gases possibly escaping may ignite due to electrical components.

- Please be sure to store alcoholic drinks or other packaging containing alcohol in tightly closed containers. Any alcohol that leaks out may be ignited by electrical components.

### Danger of tipping and falling:

- Do not misuse the plinth, drawers, doors etc. as a step or for support. This applies particularly to children.

### Danger of food poisoning:

- Do not consume food which has been stored too long.

### Danger of frostbite, numbness and pain:

- Avoid prolonged skin contact with cold surfaces or refrigerated/frozen goods or take protective measures, e.g wear use gloves.

### Danger of injury and damage:

- Hot steam can lead to injury. Do not use electrical heating or steam cleaning equipment, open flames or defrosting sprays to defrost.
- Do not use sharp implements to remove the ice.

### Symbols on the appliance:



The symbol can be located on the compressor. It refers to the oil in the compressor and indicates the following danger: Swallowing or inhaling can be fatal. This is only relevant for recycling. There is no danger in normal operation.



This symbol is found on the compressor and indicates the danger of flammable materials. Do not remove the sticker.



A sticker to this effect may be applied to the rear of the appliance. It refers to the foam-padded panels in the door and/or the housing. This is only relevant for recycling. Do not remove the sticker.

### Please observe the specific information in the other sections:

	DANGER	identifies a situation involving direct danger which, if not obviated, may result in death or severe bodily injury.
	WARNING	identifies a dangerous situation which, if not obviated, may result in death or severe bodily injury.
	CAUTION	identifies a dangerous situation which, if not obviated, may result in minor or medium bodily injury.
	NOTICE	identifies a dangerous situation which, if not obviated, may result in damage to property.

Note	It contains useful instructions and tips.
------	---

## 3 Controls and displays

### 3.1 Operating and control elements

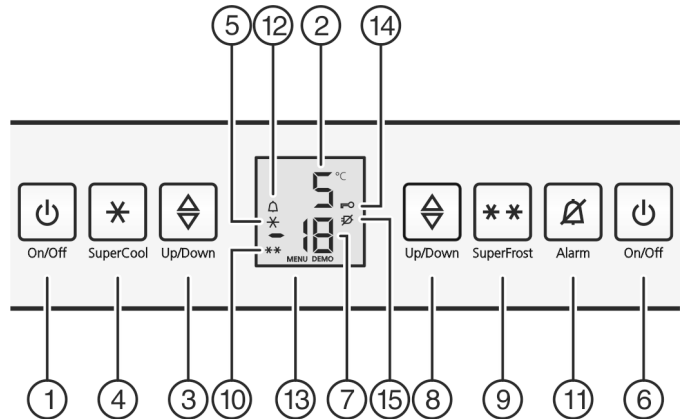


Fig. 2

- |  |                           |
|--|---------------------------|
| (1) Refrigerator compartment On/Off button       | (9) SuperFrost button     |
| (2) Refrigerator compartment temperature display | (10) SuperFrost symbol    |
| (3) Refrigerator compartment setting button      | (11) Alarm button         |
| (4) SuperCool button                             | (12) Alarm symbol         |
| (5) SuperCool symbol                             | (13) Menu symbol          |
| (6) Refrigerator compartment On/Off button       | (14) Child lock symbol    |
| (7) Freezer compartment temperature display      | (15) Power failure symbol |
| (8) Freezer compartment setting button           |                           |

### 3.2 Temperature display

During normal operation, the display shows:

- the freezer temperature setting
- the chiller temperature setting

The freezer temperature display flashes if/when:

- You change the temperature setting
- The appliance is not cold enough after switching on
- The temperature rises by several degrees

The following displays indicate a fault. Possible causes and solutions: (see 7 Malfunctions) .

- **F0 to F9**
- The power failure symbol flashes.

## 4 Putting into operation

### 4.1 Transporting the appliance

- ▶ Transport the appliance only in suitable packaging.
- ▶ Transport the appliance upright.
- ▶ Do not transport the appliance on your own.

## 4.2 Disposing of packaging



### WARNING

Danger of suffocation due to packing material and plastic film!

- ▶ Do not allow children to play with packing material.

The packaging is made of recyclable materials:

- corrugated board/cardboard
- expanded polystyrene parts
- polythene bags and sheets
- polypropylene straps
- nailed wooden frame with polyethylene panel\*
- ▶ Take the packaging material to an official collecting point.



## 4.3 Switching on the appliance

### Note

The manufacturer recommends:

- ▶ Store frozen produce at -18 °C or colder.

Switch on the appliance approx. 4 hours before loading for the first time.

### 4.3.1 Switching on the entire appliance at the freezer compartment

- ▶ Open the door.
- ▶ Press the freezer On/Off *Fig. 2 (6)* button.
- ▷ The fridge and freezer sections are on.
- ▷ The temperature displays light up.
- ▷ When you open the door the interior light comes on.
- ▷ If "DEMO" is displayed, demo mode is activated. Please contact the after sales service.

### 4.3.2 Switch on refrigerator compartment

### Note

Before going on holiday, or other prolonged periods of non-use

- ▶ You can switch the fridge section on/off separately from the freezer section.

- ▶ Open the door.
- ▶ Press the fridge On/Off *Fig. 2 (1)* button.
- ▷ The temperature displays light up.
- ▷ When you open the door the interior light comes on.
- ▷ The fridge is on.

## 5 Control

### 5.1 Child proofing

The child-proofing function enables you to make sure that the appliance is not inadvertently switched off by playing children.



#### 5.1.1 Setting the child lock

##### To switch on the function:

- ▶ Activate setting mode: press the SuperFrost button *Fig. 2 (9)* for approx. 5 seconds.
- ▷ The Menu symbol *Fig. 2 (13)* is shown on the display.
- ▷ **c** flashes on the display.
- ▶ Briefly confirm with the SuperFrost button, *Fig. 2 (9)*.
- ▷ **cl** appears in the display.
- ▶ Briefly confirm with the SuperFrost button, *Fig. 2 (9)*.

- ▷ The child lock symbol *Fig. 2 (14)*, lights up on the display.

- ▷ **c** flashes on the display.



- ▷ The child lock function is switched on.

If setting mode is to be terminated:

- ▶ Briefly press the freezer compartment On/Off button *Fig. 2 (6)*.

-or-

- ▶ Wait for 5 minutes.

- ▷ The temperature display shows the temperature again.

##### To switch off the function:

- ▶ Activate setting mode: press the SuperFrost button *Fig. 2 (9)* for approx. 5 seconds.

- ▷ The Menu symbol *Fig. 2 (13)* is shown on the display.

- ▷ **c** flashes on the display.

- ▶ Briefly confirm with the SuperFrost button, *Fig. 2 (9)*.

- ▷ **cl** appears in the display.

- ▶ Briefly confirm with the SuperFrost button, *Fig. 2 (9)*.

- ▷ The child lock symbol *Fig. 2 (14)* goes out.

- ▷ **c** flashes on the display.

- ▷ The child lock function is switched off.

If setting mode is to be terminated:

- ▶ Briefly press the freezer compartment On/Off button *Fig. 2 (6)*.

-or-

- ▶ Wait for 5 minutes.

- ▷ The temperature display shows the temperature again.

## 5.2 Door alarm

For the fridge and freezer compartments

An audible warning sounds if the door is open for longer than 60 seconds.

The audible warning stops automatically when the door is closed.



### 5.2.1 Muting the door alarm

The audible alarm can be muted when the door is open. The sound switch-off function is active as long as the door is left open.

- ▶ Press alarm button *Fig. 2 (11)*.

- ▷ The door alarm is silenced.

## 5.3 Temperature alarm

The audible alarm sounds if the freezer temperature is not cold enough.

The temperature display and the alarm symbol *Fig. 2 (12)* flash at the same time.



The cause of the temperature being too high may be:

- warm fresh food was placed inside
- too much warm ambient air flowed in when rearranging and removing food
- Prolonged power outage
- the appliance is faulty

The audible alarm is automatically silenced, the alarm symbol *Fig. 2 (12)* goes out and the temperature display stops flashing when the temperature is sufficiently cold again.

If the alarm status persists: (see 7 Malfunctions) .

### Note

Food may be spoilt if the temperature is not cold enough.

- ▶ Check the quality of the food. Do not consume spoiled food.

# Control

## 5.3.1 Muting the temperature alarm

The audible alarm can be muted. When the temperature is sufficiently cold again, the alarm function is active again.

- ▶ Press alarm button *Fig. 2 (11)*.
- ▷ The audible alarm is silenced.

## 5.4 Refrigerator compartment

The natural circulation of air in the refrigerator compartment results in zones differing in temperature. It is coldest directly above the vegetable drawers and at the rear wall. It is warmest at the top front of the compartment and in the door.

### 5.4.1 Refrigerating food

#### Note

The energy consumption increases and the cooling performance decreases if the ventilation is inadequate.

- ▶ Always keep the air slits of the fan free.

- ▶ Store perishable foods such as ready-to-eat meals, meat and sausages in the coldest area. Place butter and preserves in the top area and in the door. (see 1 Appliance at a glance)
- ▶ Use reuseable plastic, metal, aluminium, glass containers and foil wrap to store food.
- ▶ Always store raw meat and fish in clean, sealed containers on the bottom shelf of the refrigerator, to prevent them coming into contact with or dripping onto other foods.
- ▶ Foods that easily absorb or give off smell or taste, as well as liquids, should be stored in sealed containers or covered.
- ▶ Use the front area of the base shelf only to temporarily set down refrigerated foods, for example while rearranging or sorting the contents. Remember not to leave refrigerated foods here as they could shift to the back or tip over when you close the door.
- ▶ Do not pack foods too closely together, as the air needs to circulate.

### 5.4.2 Setting the temperature

The temperature depends on the following factors:

- the frequency of opening the door
- how long the door is open for
- the room temperature of the installation location
- the type, temperature and quantity of the food

Recommended temperature setting: 5 °C

The temperature can be adjusted continually. Once the 1 °C setting is reached, the sequence starts again at 9 °C .

- ▶ Call up the temperature function: press the refrigerator compartment setting button *Fig. 2 (3)*.
- ▷ The previously-set value will flash in the temperature display.
- ▶ Change the temperature in 1 °C steps: Press the refrigerator compartment setting button *Fig. 2 (3)* until the required temperature is indicated in the temperature display.
- ▶ Change temperature continually: hold down setting button.
- ▷ During adjustment the value flashes on the display.
- ▷ The new setting is adopted approx. 5 seconds after the last time the button was pressed and the set temperature displayed again. The temperature in the interior gradually adjusts to the new value.



### 5.4.3 SuperCool

SuperCool is for maximum cooling. This option is for very low temperatures:

- In the fridge compartment



Use SuperCool to quickly cool large amounts of food.

When SuperCool is activated, the fan\* may run. The appliance operates with maximum cooling performance, which means that the noise of the refrigeration unit may be temporarily louder.

The SuperCool function uses slightly more energy.

#### Switching on SuperCool

- ▶ Briefly press SuperCool button *Fig. 2 (4)*.
- ▷ The SuperCool *Fig. 2 (5)* symbol lights up in the display.
- ▷ The cooling temperature drops to the lowest setting.
- ▷ SuperCool is on.
- ▷ SuperCool turns off automatically. The appliance continues in energy-saving Normal mode.

#### To prematurely deactivate SuperCool

- ▶ Briefly press SuperCool button *Fig. 2 (4)*.
- ▷ The SuperCool symbol *Fig. 2 (5)* goes out in the display.
- ▷ SuperCool is deactivated.

### 5.4.4 Shelves

#### Moving or removing shelves

The shelves are prevented from being pulled out accidentally by pull out stops.

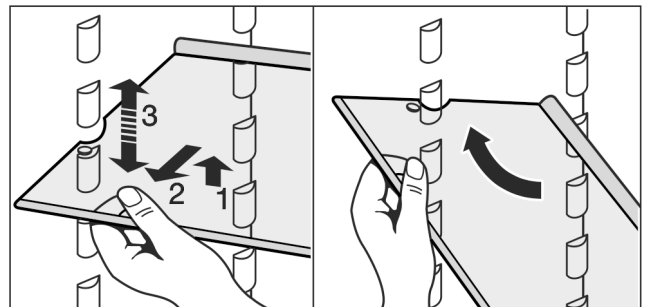
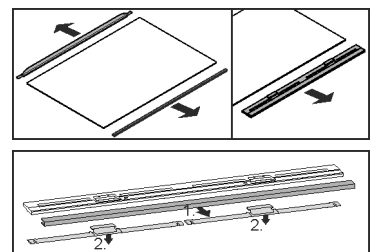


Fig. 3

- ▶ Lift the shelf and pull forward a little.
- ▶ Adjust the height of the shelf. To do this move the slots along the supports.
- ▶ In order to remove the shelf fully, place it at a slant and pull out towards the front.
- ▶ Insert shelf with the raised edge pointing upwards at the back.
- ▷ The food does not freeze onto the rear wall.

#### Dismantling shelves



- ▶ The shelves can be dismantled for cleaning.

## 5.4.5 Using the sectioned shelf

- ▶ Slide the sectioned shelf under, as shown in the illustration.

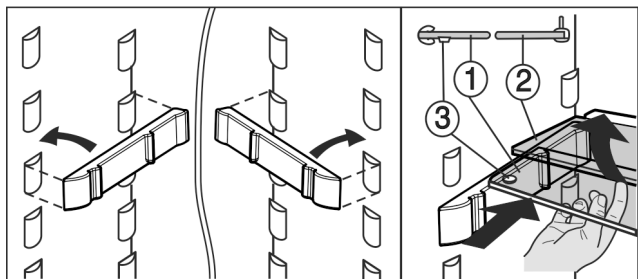
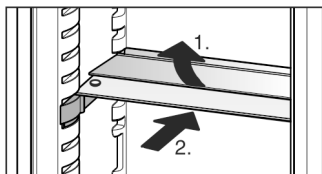


Fig. 4

- ▶ The glass shelf with stop face (2) has to be at the back.
- ▶ The glass plate (1) with pull-out stops must be at the front so that the stops (3) face downwards.

## 5.4.6 Door racks

### Moving the storage rack

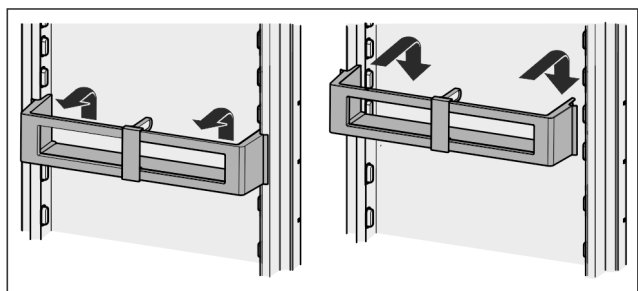


Fig. 5

### Dismantling door racks

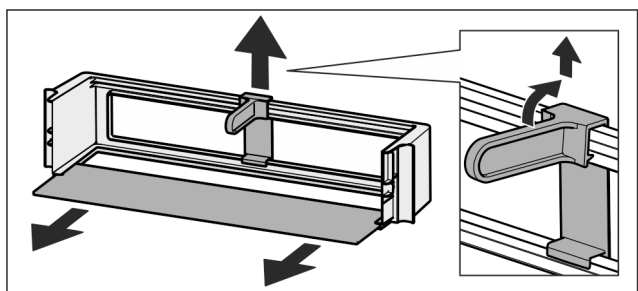
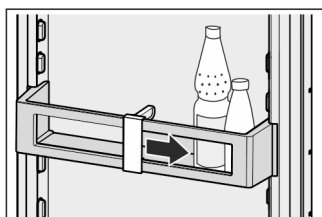


Fig. 6

- ▶ The door racks can be dismantled for cleaning.

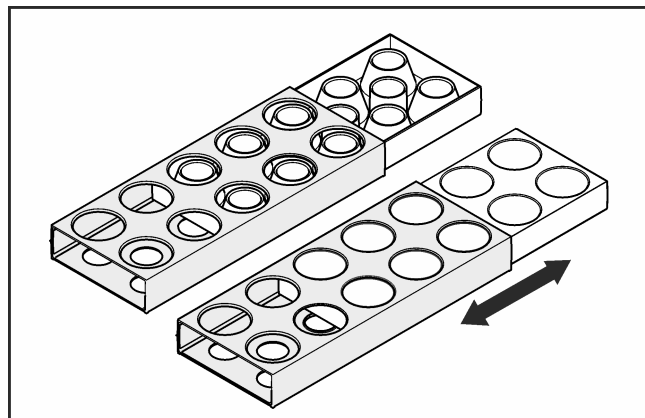
## 5.4.7 Using the bottle holder

- ▶ To avoid the bottles tipping over, push the bottle holder along.



## 5.4.8 Egg tray


You can take out and rotate the egg tray. You can use the two parts of the egg tray to mark different use-by dates, for example.




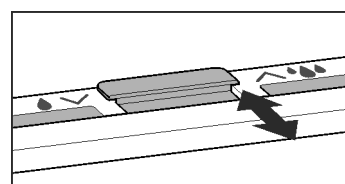
- ▶ Use the top part to store e.g. chicken eggs.
- ▶ Use the bottom part to store quails' eggs.

## 5.4.9 BioCool box

### Controlling humidity

- ▶  Low humidity: Move the slide controller forward.

- ▶  High humidity: Move the slide controller back.



### Removing the BioCool box

BioCool box on roller plates:

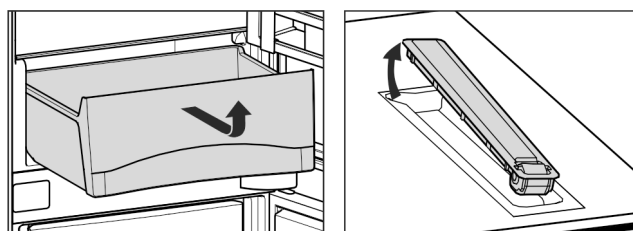


Fig. 7

- ▶ BioCool box and roller plates can be removed for cleaning.

## 5.5 Freezer compartment

You can store frozen food, make ice cubes and freeze fresh food in the freezer compartment.

### 5.5.1 Freezing food

The rating plate indicates the maximum quantity of fresh food you can freeze within 24 hours (see 1 Appliance at a glance) under "Freezing capacity ... kg/24h".

Each drawer can hold a max. of 25 kg of frozen food.

The shelves can each be loaded with 35 kg of frozen food.

A vacuum is generated after the door is closed. After closing the door, wait for about 1 minute and then it opens more easily.



### CAUTION

Risk of injury due to broken glass!

Bottles and cans containing drinks may burst when being frozen. This applies particularly to sparkling drinks.

- ▶ Do not freeze bottles and cans containing drinks!

So that the food is rapidly frozen through to the core, do not exceed the following quantities per pack

- Fruit, vegetables up to 1 kg
- Meat up to 2.5 kg

# Control

- ▶ Pack the food in portions in freezer bags, reusable plastic, metal or aluminium containers

## 5.5.2 Storage life

Standard values for the storage life of various types of food in the freezer compartment:	
Ice-cream	2 to 6 months
Sausage, ham	2 to 6 months
Bread, bakery products	2 to 6 months
Game, pork	6 to 10 months
Fatty fish	2 to 6 months
Lean fish	6 to 12 months
Cheese	2 to 6 months
Poultry, beef	6 to 12 months
Vegetables, fruit	6 to 12 months

The values indicated for storage life are standard ones.

## 5.5.3 Thawing food

- in the refrigerator compartment
- in a microwave oven
- in a conventional or fan oven
- at room temperature
- ▶ Remove only as much food as is required. Use thawed food as quickly as possible.
- ▶ Food once thawed should be re-frozen only in exceptional cases.

## 5.5.4 Setting the temperature

The temperature depends on the following factors:

- the frequency of opening the door
- how long the door is open for
- the room temperature of the installation location
- the type, temperature and quantity of the food

Recommended temperature setting: -18 °C

The temperature can be adjusted continually. Once the setting -26 °C is reached, the cycle is begun again at -15 °C.

- ▶ Call up temperature function: press the freezer compartment setting button *Fig. 2 (8)* once.
- ▷ The previously-set value will flash in the temperature display.
- ▶ Change the temperature in 1 °C steps: Press the freezer compartment setting button *Fig. 2 (8)* until the required temperature is indicated in the temperature display.
- ▶ Change temperature continually: hold down setting button.
- ▷ During adjustment the value flashes on the display.
- ▷ The new setting is adopted approx. 5 seconds after the last time the button was pressed and the set temperature displayed again. The temperature in the interior gradually adjusts to the new value.



## 5.5.5 SuperFrost

With this function you can freeze fresh food quickly through to the core. **\* \*** The appliance operates with maximum refrigeration. The noise of the refrigeration unit may be temporarily louder as a result.

You can freeze as many kilograms of fresh food within 24 hrs as is indicated on the type plate under "Freezing capacity ... kg/24hrs". This maximum freezing quantity can vary depending on model and climate class.

You have to activate SuperFrost in good time, depending on how much fresh food is to be frozen: about 6 hours before

placing the food inside in case of small amounts and about 24 hours in advance in case of the maximum amount of food to be frozen.

Wrap produce and spread it out as far as possible. Do not allow produce to be frozen to touch produce that is already frozen to prevent the latter thawing.

You do not have to activate SuperFrost in the following cases:

- when placing frozen food in the freezer
- when freezing up to approx. 1 kg fresh food daily

## Freezing with SuperFrost

- ▶ Briefly press the SuperFrost button *Fig. 2 (9)* once.
- ▷ The SuperFrost symbol *Fig. 2 (10)* shines.
- ▷ The freezing temperature drops, the appliance operates with the maximum cooling capacity. For a smaller quantity of produce to be frozen:
  - ▶ wait approx. 6 h.
  - ▶ Place wrapped produce in the top drawers. For the maximum quantity of produce to be frozen:
    - ▶ wait approx. 24 h.
    - ▶ Remove top drawers and place produce directly on the top shelves.
- ▷ SuperFrost is automatically deactivated after 65 hours.
- ▷ The SuperFrost symbol *Fig. 2 (10)* extinguishes once freezing is completed.
- ▶ Place produce in the drawers and push the latter back in again.
- ▷ The appliance continues to operate in the energy-saving, normal mode.

## 5.5.6 Drawers

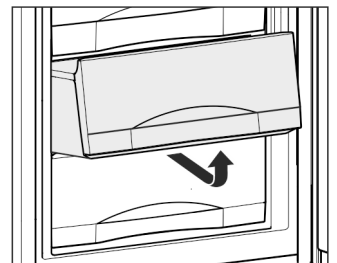
### Note

The energy consumption increases and the cooling performance decreases if there is insufficient ventilation.

For appliances with NoFrost:

- ▶ Leave the bottom drawer in the appliance!
- ▶ Always keep the air slits of the fan free at the rear wall!

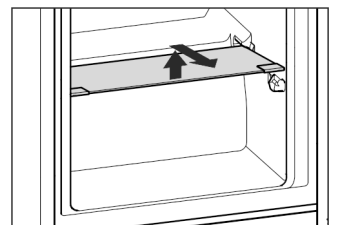
- ▶ To store frozen food directly on the shelves pull the drawer forward and lift it out.



## 5.5.7 Shelves

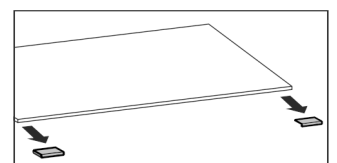
### Moving shelves

- ▶ To remove the shelf: lift up at the front and pull out.
- ▶ To put the shelf back: simply push in as far as it will go.



### Removing shelves

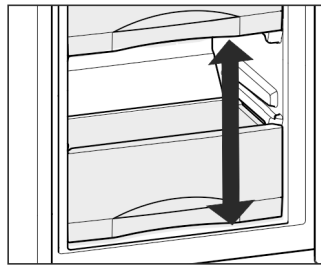
- ▶ The shelves may be removed for cleaning.





## 5.5.8 VarioSpace

You can remove the shelves and drawers. This leaves more room for larger food items such as poultry, meat, large game and tall baked goods, which can be frozen whole before further preparation.



- ▶ Each drawer can hold max. 25 kg of frozen food.
- ▶ The shelves can each be loaded with 35 kg of frozen food.

## 5.5.9 Ice cube tray

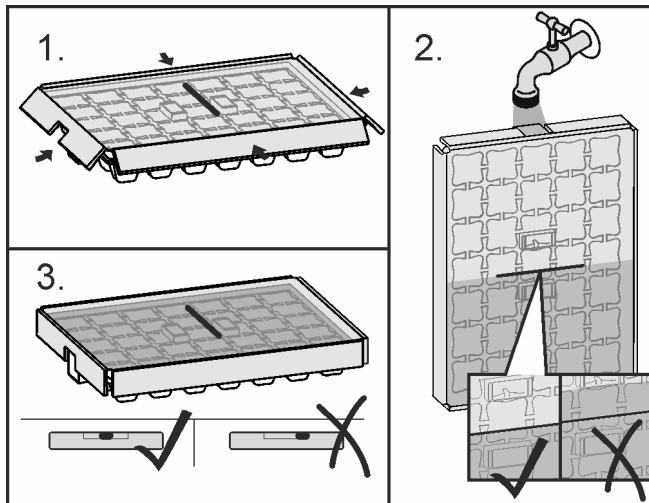


Fig. 8  
When the water is frozen:

- ▶ Hold ice cube tray under hot water for a short time.
- ▶ Remove the lid.
- ▶ Gently turn the ends of the ice cube tray in opposite directions and release the cubes.

### Dismantling the ice cube tray

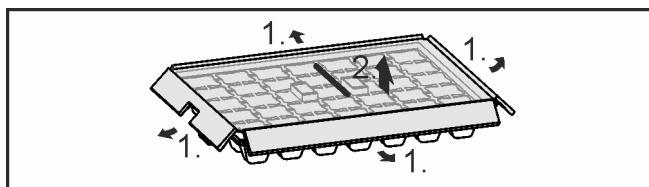


Fig. 9

- ▶ You can take the ice cube tray apart for cleaning.

## 6 Maintenance

### 6.1 Defrosting with NoFrost

The NoFrost system automatically defrosts the appliance.

#### Refrigerator compartment:

The defrosted water is evaporated by the heat of the compressor. Water drops or a thin layer of frost or ice can form on the back wall; this is a completely normal part of the machine's function.

- ▶ Regularly clean the drain opening to allow the water to flow away (see 6.2 Cleaning the appliance).

#### Freezer compartment:

The moisture condenses on the evaporator, is periodically defrosted and evaporates.

- ▶ The appliance does not have to be manually defrosted.

## 6.2 Cleaning the appliance

Clean the appliance regularly.



### WARNING

Risk of injury and damage as a result of hot steam!  
Hot steam can lead to burns and can damage the surfaces.

- ▶ Do not use any steam cleaners!

### NOTICE

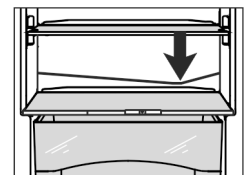
Incorrect cleaning damages the appliance!

- ▶ Do not use cleaning agents in concentrated form.
- ▶ Do not use any scouring or abrasive sponges or steel wool.
- ▶ Do not use any sharp or abrasive cleaning agents, nor any that contain sand, chloride or acid.
- ▶ Do not use chemical solvents.
- ▶ Do not damage or remove the type plate on the inside of the appliance. It is important for the customer service.
- ▶ Do not pull off, bend or damage cables or other components.
- ▶ Do not allow any cleaning water to enter the drain channel, ventilation grille or electrical parts.
- ▶ Please use soft cleaning cloths and a universal pH-neutral cleaning agent.
- ▶ Please use cleaning and care products suitable for contact with foodstuffs in the appliance interior.

- ▶ **Empty appliance.**
- ▶ **Pull out the power plug.**



- ▶ Clean **plastic outer and inner surfaces** with lukewarm water and a little washing-up liquid.
- ▶ Clean **drain hole**: Remove deposits with a narrow instrument, e.g. a cotton bud.



- ▶ Most of the **parts** can be dismantled for cleaning: see the relevant chapter.
- ▶ **Clean drawers** by hand with lukewarm water and a little washing up liquid.
- ▶ All the **other fittings** can be put in the dishwasher.

#### After cleaning:

- ▶ Wipe dry the appliance and items of equipment.
- ▶ Connect the appliance and switch it on again.
- ▶ Switch on SuperFrost (see 5.5.5 SuperFrost).
- ▶ When the temperature is sufficiently cold:
- ▶ Put the food back inside.

## 6.3 Customer service

First check whether you can rectify the fault yourself (see 7 Malfunctions). If you cannot rectify the problem, contact Customer Services. You can find the address in the enclosed Customer Service Directory.



### WARNING

Unprofessional repair!  
Injuries.

- ▶ Have any repairs and action - not expressly specified - on the appliance and mains cable carried out by service personnel only. (see 6 Maintenance)
- ▶ A damaged mains cable may only be replaced by the manufacturer, the manufacturer's Customer Service or a similarly qualified person.
- ▶ In the case of appliances with an IEC connector, the change may be made by the customer.

# Malfunctions

- ▶ Read the appliance designation *Fig. 10 (1)*, service No. *Fig. 10 (2)* and serial No. *Fig. 10 (3)* off the model plate located inside the appliance on the left-hand side.

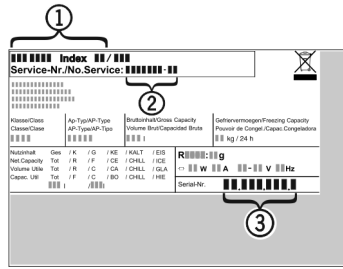


Fig. 10

- ▶ Notify the customer service, specifying the fault, appliance designation *Fig. 10 (1)*, service No. *Fig. 10 (2)* and serial No. *Fig. 10 (3)*.
- ▷ This will help us to provide you with a faster and more accurate service.
- ▶ Keep the appliance closed until the customer service arrives.
- ▷ The food will stay cool longer.
- ▶ Pull out the mains plug (not by pulling the connecting cable) or switch off the fuse.

## 7 Malfunctions

Your appliance is designed and manufactured for a long life span and reliable operation. If a malfunction nonetheless occurs during operation, check whether it is due to a handling error. In this case you will have to be charged for the costs incurred, even during the warranty period. You may be able to rectify the following faults yourself:

### Appliance does not work.

- The appliance is not switched on.
- ▶ Switching on the appliance.
- The power plug is not properly inserted in the wall socket.
- ▶ Check power plug.
- The fuse of the wall socket is not in order.
- ▶ Check fuse.

### The compressor runs for a long time.

- The compressor switches to a low speed when little cold is needed. Although the running time is increased as a result, energy is saved.
- ▶ This is normal in energy-saving models.
- SuperFrost is activated.
- ▶ The compressor runs for longer in order to rapidly cool the food. This is normal.
- SuperCool is activated.
- ▶ The compressor runs for longer in order to rapidly cool the food. This is normal.

### A LED on the bottom rear of the appliance (at the compressor) flashes repeatedly every 5 seconds\*.

- There is a fault.
- ▶ Please contact the after-sales service (see 6 Maintenance).

### Excessive noise.

- Due to the various speed steps, speed-regulated\* compressors can generate different running noises.
- ▶ The sound is normal.

### A bubbling and gurgling noise.

- This noise comes from the refrigerant flowing in the refrigeration circuit.
- ▶ The sound is normal.

### A quiet clicking noise.

- The noise is produced whenever the refrigeration unit (motor) automatically switches on or off.
- ▶ The sound is normal.

### A hum. It is briefly a little louder when the refrigeration unit (the motor) switches on.

- The refrigeration increases automatically when the SuperFrost function is activated, fresh food has just been placed in the appliance or the door has been left open for a while.
- ▶ The sound is normal.
- The refrigeration increases automatically when the SuperCool function is activated, fresh food has just been placed in the appliance or the door has been left open for a while.
- ▶ The sound is normal.
- The ambient temperature is too high.
- ▶ Solution: (see 1.2 Appliance range of use)

### A low hum.

- The sound is produced by air flow noise of the fan.
- ▶ The sound is normal.

### Vibration noises

- The appliance is not standing firmly on the floor. As a result objects and adjacent units start to vibrate when the refrigerator is running.
- ▶ Check the installation and realign the appliance.
- ▶ Keep bottles and jars apart.

### The temperature display indicates: F0 to F9

- There is a fault.
- ▶ Please contact the after-sales service (see 6 Maintenance).

### Power failure flashes in the temperature display . The highest temperature reached during power failure is indicated in the temperature display.

- The freezer temperature rose too high over the last hours or days due to a power failure or power interruption. When the power interruption is over, the appliance will continue to operate in the last temperature setting.
- ▶ To cancel the display of the warmest temperature: press alarm button *Fig. 2 (11)*.
- ▶ Check the quality of the food. Do not consume spoiled food. Do not re-freeze thawed food.

### DEMO shines in the temperature display.

- The demo mode is activated.
- ▶ Please contact the after-sales service (see 6 Maintenance).

### The outer surfaces of the appliance are warm\*.

- The heat of the refrigeration circuit is used to prevent condensate from forming.
- ▶ This is normal.

### The temperature is not cold enough.

- The door of the appliance is not properly closed.
- ▶ Close the door of the appliance.
- Insufficient ventilation.
- ▶ Keep ventilation grille clear, and clean it.
- The ambient temperature is too high.
- ▶ Solution: (see 1.2 Appliance range of use).
- The appliance was opened too frequently or for too long.
- ▶ Wait to see whether the appliance reaches the required temperature by itself. If not, please contact the after sales service (see 6 Maintenance).
- Too much fresh food was placed inside without SuperFrost.
- ▶ Solution: (see 5.5.5 SuperFrost)
- The temperature is incorrectly set.
- ▶ Set the temperature to a colder setting and check after 24 hours.
- The appliance is too close to a source of heat (stove, heater etc).
- ▶ Change the position of the appliance or the source of heat.
- The appliance was not inserted properly into the recess.

- ▶ Check whether the appliance was inserted correctly and the door closes properly.

## The internal light does not come on.

- The appliance is not switched on.
- ▶ Switch the appliance on.
- The door was open for longer than 15 minutes.
- ▶ The internal light switches itself off automatically after about 15 minutes if the door is open.
- The LED illumination is faulty or the cover is damaged:



### WARNING

Risk of injury due to electric shock!

There are live electrical parts under the cover.

- ▶ Only ever have the inside LED light replaced or repaired by customer service or trained personnel.



### WARNING

Risk of injury from LED bulb!

The light intensity of the LED light corresponds to hazard group RG 2.

If the cover is defective:

- ▶ Do not look directly into the light from close range. It cause injury to the eyes.

## The door gasket is defective or should be replaced for other reasons.

- In some units, the seal around the door can be replaced. You will not need any special tools to do this.
- ▶ Please contact the after-sales service (see 6 Maintenance).

## The unit has iced up or condensation has formed.

- The door seal may have also slipped out of its groove.
- ▶ Check to ensure that the door seal is seated properly in the groove.

## 8 Decommissioning

### 8.1 Switching off the appliance

#### Note

- ▶ To switch off the **entire appliance**, only the freezer compartment need be switched off. The refrigerator compartment is automatically switched off at the same time.
- ▶ **The refrigerator compartment** can be switched off separately (e.g. during extended periods of absence such as holidays), while the freezer compartment remains in operation.
- ▶ If the appliance or fridge compartment cannot be switched off, the Child Safety function is still activated (see 5.1 Child proofing).

#### 8.1.1 Switching the whole appliance off via the freezer compartment

- ▶ Press the freezer compartment On/Off button *Fig. 2 (6)* for approx. 2 seconds.
- ▷ A long beep sounds.
- ▷ The temperature displays are dark.
- ▷ The appliance (fridge and freezer) is off.

#### 8.1.2 Switch off refrigerator compartment

#### Note

- Before going on holiday, or other prolonged periods of non-use
- ▶ You can switch the fridge section on/off separately from the freezer section.

- ▶ Press the refrigerator compartment On/Off button *Fig. 2 (1)* for approx. 2 seconds.

- ▷ The fridge temperature display *Fig. 2 (2)* is dark.
- ▷ The fridge compartment is switched off.
- ▷ The freezer section stays on.

### 8.2 Taking the appliance out of service

- ▶ Empty the appliance.
- ▶ Switch off the appliance (see 8 Decommissioning).
- ▶ Remove mains connector.
- ▶ Clean the appliance (see 6.2 Cleaning the appliance).



- ▶ Leave the door open to prevent odour.

## 9 Disposal

### Preparing appliance for disposal



Li-Ion

Liebherr uses batteries in some of its appliances. In the EU, for environmental reasons, legislation obliges the end user to remove these batteries before disposing of old appliances. If your appliance contains batteries, a corresponding notice is attached.

#### Lamps

If you can remove the lamps yourself without destroying them, also remove these before disposal.

- ▶ Take the appliance out of operation. (see 8.2 Taking the appliance out of service)
- ▶ Appliances with batteries: remove the batteries. For description, see **Maintenance** chapter.
- ▶ If possible: remove lamps without destroying them.

### Disposing of the appliance in an environmentally friendly manner



The appliance still contains valuable materials and must be disposed of separately from unsorted municipal waste.



Li-Ion



Li-Ion

Dispose of batteries separately from the old appliance. To do this, you can return the batteries free of charge to retailers as well as recycling centres and collection centres for recyclable materials.

#### Lamps

Dispose of removed lamps via the respective collection systems.



### WARNING

Leaking coolant and oil!

Fire. The coolant contained in the appliance is eco-friendly, but also flammable. The oil contained in the appliance is flammable. Escaping coolant and oil can ignite if the concentration is high enough and in contact with an external heat source.

- ▶ Do not damage the pipelines of the coolant circuit and the compressor.

- ▶ Transport the appliance without damaging it.
- ▶ Dispose of batteries, lamps and the appliance according to the above specifications.



**Liebherr-Hausgeräte Ochsenhausen GmbH**

Memminger Straße 77-79

88416 Ochsenhausen

Deutschland

[home.liebherr.com](http://home.liebherr.com)