

IRBh 5170

Integratable refrigerator with BioFresh Professional

△ Peak



LIEBHERR

Fully Integrated

LIEBHERR

IRBh 5170

Integratable refrigerator with
BioFresh Professional

△ Peak



↑
178
↓



Type	Fixed door / Built-in appliance for integrated use
Energy consump. in 365 days/24 h	98.550 / 0.270 kWh
Total volume	288 l¹
Volume	Fridge: 195 l / BioFresh compartment: 93 l
Noise output	32 dB(A)
Climate rating	SN,N,ST,T
Aperture dimensions in cm (h / w / d)	177.2-178.8 / 56-57 / min. 55
Controls	
Type of Control	2.4" TFT Display farbig/hinter der Tür/Touch und Swipe- display Digital temperature display for fridge and BioFresh compartments
Door alarm	visual and acoustic
Fridge compartment	
Forced air system	PowerCooling with Ambilight and FreshAir activated charcoal filter
Door interior	Comfort GlassLine storage shelves with bottle holder, removable VarioBoxes, adjustable egg tray
VarioSafe	yes
Bottle shelf	Integrated bottle shelf
Interior light	LED light panel, both sides LED BioFresh lighting
BioFresh-Safes	3 BioFresh safes with SoftTelescopic, 2 Fruit & Vegetable safes, of which 1 with HydroBreeze, 1 Meat & Dairy safe, 1 FlexSystem
Features	
Door hinges	Reversible door hinging, right
Replaceable door seal	yes
EAN-Nr.	4016803114819

¹ In accordance with Regulation EU 2019/2016 we indicate the total volume to the nearest integer (rounded off) and the volume of the frozen compartments and refrigeration compartments to one place after the decimal point.

Features



BioFresh Professional

The BioFresh Professional safe gives food an additional boost of freshness for a long shelf life – wow effect included: Thanks to HydroBreeze a cold mist covers fruit and vegetables like a protective balm. In combination with a temperature just above 0 °C and high humidity, unpackaged fruits and vegetables feel right at home.



BioFresh with HydroBreeze

Do you want to cool fruit and vegetables like professionals? You'll be inspired by HydroBreeze. The cold mist combined with a temperature in the safe of just over 0 °C gives food that extra boost for longer shelf life. And it creates a genuine visual wow effect. HydroBreeze is activated every 90 minutes for 4 seconds and for 8 seconds when the door is opened.



Fruit & Vegetable safe

Crunchy salad and strawberries: the most delicate foods deserve a special place so they stay fresh longer – in BioFresh safes. In the Fruit & Vegetable safe the temperature is close to 0 °C. Combined here with the constant humidity, thanks to the air-tight closure, unpackaged fruit and vegetables feel particularly at home. You do not have to adjust anything.



Fish & Seafood safe

Love fish? Your Liebherr keeps fish fresh! The Fish & Seafood Safe stores fish and seafood at the optimum temperature of -2 °C; as professionally as your fishmonger. Adjust the size of the -2 °C zone as much as you want – and store the remaining meat and dairy products at the optimum 0 °C. An LED display indicates that the -2 °C zone is currently active.



Meat & Dairy safe

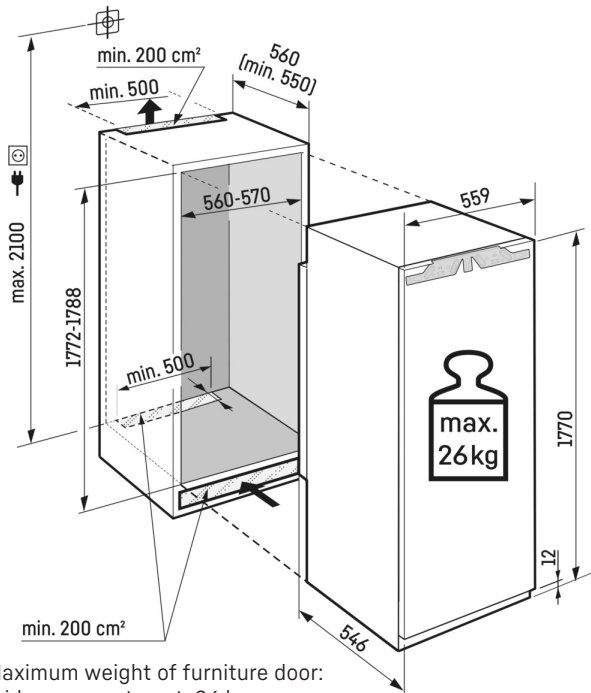
Do you want the tender veal fillet or fresh milk to stay fresh for as long as possible? The BioFresh safes will ensure this is the case. In the Meat & Dairy Safe, the temperature is close to 0 °C – ideal storage conditions for even the most delicate of foods. And best of all, everything is perfectly adjusted in the factory for immediate use – and for longer freshness.



Ambient lighting

Our ambient lighting brings a special design touch to your refrigerator. The all-around lighting produces unique effects in the interior, enhancing the overall atmosphere. Paired with the SmartSteel-designed rear wall and the sleek black high-gloss fan, it creates a captivating and ambient space.

Technical drawing



Maximum weight of furniture door:
Fridge compartment: 26 kg

Products and their details are staged for advertising purposes. Whilst every effort is made to ensure all specifications and information in this flyer are accurate, Liebherr reserves the right to make changes without notification. Where actual appliance measurements, specifications, and ratings are crucial, we recommend that the actual appliance installation instructions that accompany each appliance be checked. (29.05.2024)

