



Maximum Flexibility
with Modular Solutions

Quality, Design and Innovation

SICN 3366

LIEBHERR



Door-on-door technology: Allows custom panels to be affixed directly onto the appliance door so that the hinges are concealed, plus the cabinet and the fridge open as one, ensuring a wide range of design options and easy installation.



IceMaker: The IceMaker with a 1.2 litre water tank is the ideal way to ensure that you have quality ice cubes if main water quality is poor or if there is no plumbed-in connection. Benefitting from our TwistTray system, mechanically dispensed ice cubes do not stick together in the collection tray, allowing them to have a great, even shape.

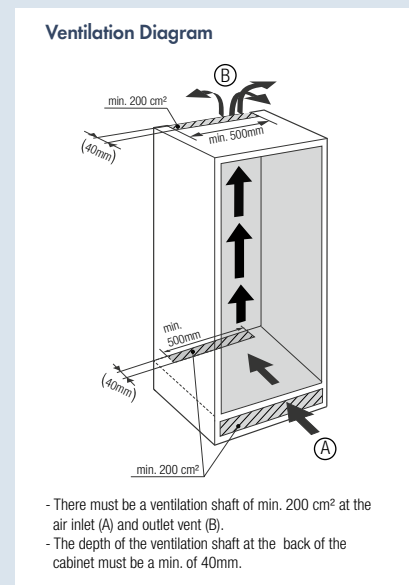
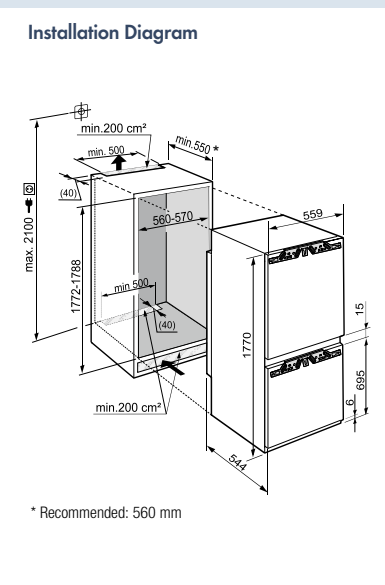


BioCool: The humidity level inside the BioCool-Box can be regulated using a slider control so that the freshness of produce stored in the box can be preserved for longer.

Liebherr's **SICN 3366** fully integrated fridge-freezer provides diverse design options for a perfect and seamless kitchen with the help of our door-on-door technology. A BioCool drawer regulates humidity via a slider control to keep your fruits and vegetables fresher for longer. And there is no need for a plumbed water connection as this model includes a convenient 1.2 litres internal water tank for the IceMaker. Simply fill the tank with filtered water to produce crystal clear ice cubes!

SICN 3366	Bio Cool	No Frost	Duo Cooling	Ice Maker	Soft System
Premium					

Sound rating dB(A) ¹	38
Refrigerator capacity litre	196
Freezer capacity litre	59
Number of shelves	5
Number of door racks	3
Number of freezer drawers	4
Electronic control	LCD display, touch electronic
Door / side walls	Steel
Refrigerator temperature range °C	+1°C to +9°C
Freezer temperature range °C	-15°C to -26°C
Temperature alarm	Visual and audible
Defrost type	Automatic
Interior light	LED
Door alarm	Audible
IceMaker	Water tank
Ice cube output kg/24h	0.8
SoftSystem	Yes
Door hinges	Left, reversible
Product dimensions (H/W/D) cm	177 / 55.9 / 54.4
Cut out dimensions (H/W/D) cm	177.2 - 178.8 / 56 - 57 / min. 55
Gross / Net weight kg	81.7 / 73.6
Voltage V/Hz	220-240 / 50



¹ Noise output - according to EN 60704-3

Note: Whilst every effort is made to ensure all specifications and information in this flyer are accurate, Liebherr reserves the right to make changes without notification. Where actual appliance measurements, specifications, and ratings are crucial, we recommend that the actual appliance installation instructions that accompany each appliance be checked. Liebherr will not be liable for any loss.