

SUIKo 1550

Built-under fridge for integrated use



LIEBHERR

Fully Integrated

LIEBHERR

SUIKo 1550

Built-under fridge for integrated use

nische_
82-88_
bo.pdf



Type	Fully extendible pull-out drawer / Under-worktop appliance for integrated use
Energy consump. in 365 days/24 h	158 kWh
Total net capacity	124 l
Frequency / voltage	50 Hz / 220-240 V-
Connection Rating	1.2 A
Aperture dimensions in cm (h / w / d)	82-88 / 60 / min. 55
Controls	
Type of Control	MagicEye, key electronic Digital temperature display for fridge compartment
Door alarm	visual and acoustic
Fridge compartment	
Door interior	, adjustable egg tray, butter dish
Interior light	LED ceiling lighting
Fruit and vegetable bins	1 spacious fruit and vegetable drawer
Features	
Side-by-Side concept	Side-panel heating and ceiling heating, suitable for combination with other fridges, freezers and/or wine appliances
Door hinges	Pull-out drawer, fully extendible
EAN-Nr.	4016803122593

Features



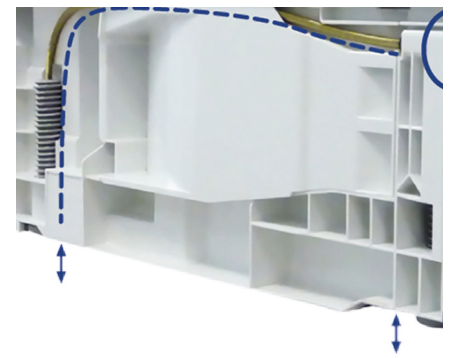
SuperCool

The automatic SuperCool function lowers the refrigerator temperature down to as far as +2 °C for as long as 12 hours - ideal for rapidly cooling freshly stored food.



Door alarm

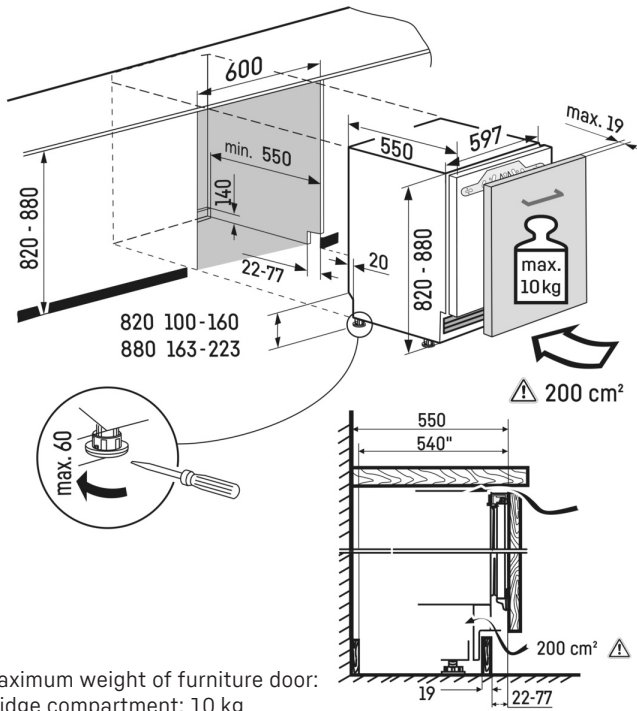
The audible door alarm alerts the user if the door has been open for longer than 60 seconds for safe protection of the food.



VarioBase

The VarioBase permits the adjustment of kitchen units in height and depth. All four height-adjustable feet permit adjustment from the front with a 60 mm range. In addition, the ventilation grille can be adjusted within a range of 55 mm to match the front of the kitchen units.

Technical drawing



Maximum weight of furniture door:
Fridge compartment: 10 kg

Products and their details are staged for advertising purposes. Whilst every effort is made to ensure all specifications and information in this flyer are accurate, Liebherr reserves the right to make changes without notification. Where actual appliance measurements, specifications, and ratings are crucial, we recommend that the actual appliance installation instructions that accompany each appliance be checked. Liebherr will not be liable for any damage. (06.04.2023)

