

MRB 3000

30" Monolith Refrigerator - Fully Integrated, panel ready

←30"→



Features & Benefits

SuperQuiet: Noise levels are kept to a minimum thanks to virtually silent, speed-controlled and sound absorbing compressors.

BioFresh-Plus: Creates independent climates within your refrigerator and foods retain their vitamins, aromas and appetizing appearance for significantly longer than in conventional refrigerators.

InfinitySwipe: Intuitive electronic touch-control panel features a full-color 3.5-inch touch & swipe screen that allows you to control every function.

InfinityLight: Casts beautiful and even side lighting that can be tuned according to personal taste, including a soft brightening effect upon opening the doors.

SuperCool: Quick chill just-bought groceries to preserve optimum food freshness, while sealing in flavors and maintaining essential vitamins and minerals.

InfinitySpring: Seamlessly integrated flush-mounted internal water dispenser that's there when you need it, and virtually invisible when you don't.

PowerCooling: Allows cool moist air flow into the BioFresh chambers and cold air to circulate behind the door, so items stored in the door remain as cold as everything else in the refrigerator.

Warranty terms

Full 2-Year Warranty, full 5-Year Warranty in the Sealed System and limited 6-12 Year Warranty.



Bio
Fresh
Plus

Infinity
Light

Soft
System

Soft-
Telescopic

Smart
Device



Energy consumption (kWh/y)	245
Estimated Yearly Energy Cost in US \$ ¹	34
Sound rating dB(A) ²	39
Refrigerator capacity cu.ft. (l)	15.0 (425)
BioFresh/BioFresh-Plus comp. cu.ft. (l)	6.5 (185)
Number of shelves	4
Number of door racks	3
Number of BioFresh/BioFresh-Plus drawers	2 / 1 with LED lighting
Electronic control	InfinitySwipe
Refrigerator temperature range °F (°C) ³	+36°F to +45°F (+2°C to +7°C)
Defrost type	automatic
Interior light	InfinityLight
Internal Water Dispenser	InfinitySpring
Water filter	yes
Door hinges ⁴	right, reversible
Product dimensions	
in inch (H/W/D)	83 3/4" / 29 11/16" / 24"
in cm (H/W/D)	212.6/75.4/61
Cut out dimensions	
in inch (H/W/D)	84" / 30" / 25"
in cm (H/W/D)	213.4 / 76.2 / 63.5
Net weight lbs. (kg)	394.6 (179.0)
Voltage V/Hz	115/60

Available Accessories

9901 872	Stainless-steel door panel 30"
9901 461	Monolith brushed aluminum square handle
9901 489	Monolith stainless-steel round handle
9901 492	Monolith brushed aluminum soft-edge handle
9901 530	Stainless-steel Toe Kick 30"
9096 342	FreshAir Activated Charcoal Filter
7440 002	Water filter
9902 399	Reverse door kit

Accessories for Side-by-Side installation

9901 428	Side-by-Side kit (includes wall heater)
Other stainless-steel Toe Kicks for Side-by-Side installation, please visit home.liebherr.com/monolith or refer to the accessory section on the Design Guide for more information.	

¹ Estimated energy cost will depend on utility rates and use. Estimated energy cost based on a national average electricity cost of 14 cents per kWh.

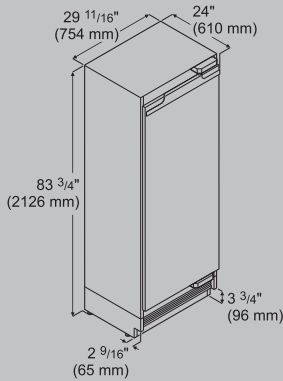
² Noise output – according to EN 60704-3.

³ BioFresh bins temperatures 32°F (0°C). BioFresh-Plus bin 28°F (-2°C) or 32°F (0°C).

⁴ Please contact your Liebherr Authorized Dealer for door reversal.

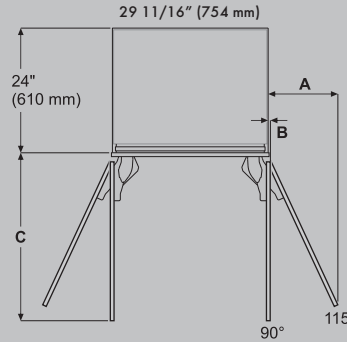
LIEBHERR

Product Dimensions



IMPORTANT!
 Stated minimum height dimensions include when the leveled feet are fully inserted.

Height can be increased by a maximum of 1" (26 mm) by turning the adjustable feet. When the appliance is fitted in the recess, the appliance must be raised by turning the adjustable feet so that the appliance top has contact with the anti-tipping bracket. This results in a 4" (102 mm) Toe Kick height.



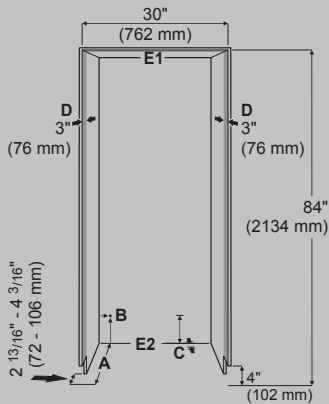
Inset
 A = 13 1/4" (337 mm)
 B = 1/2" (12.5 mm)
 C = 31 7/8" (810 mm)

Frameless
 A = 13 1/2" (343 mm)
 B = 1/2" (12.5 mm)
 C = 32 3/8" (822 mm)

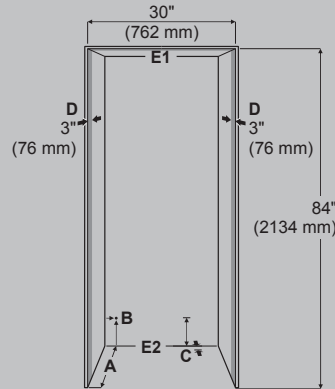
Dimension A = without mounted door handle

Cut out Dimensions

Continuous Toe Kick



Individual Toe Kick



A
 Cabinet depth frameless installation style = 25" (635 mm)
 Cabinet depth inset installation style = 25" (635 mm) + panel thickness

B
 This is the point where the power cord exits from the appliance rear. 3/4" (19 mm) from the left and 5" (127 mm) from the floor. Free length of the power cord is 98" (2.5 m). We recommend power outlet to be placed outside of the appliance opening. A 15 or 20 A, 110-120 VAC circuit grounded and protected by a circuit breaker or fuse is required.

C
 The appliance has a recess in this area for cable and waterline laying. 1" (25 mm) in depth and 5 1/2" (140 mm) in height over the whole width of the appliance. The water pressure must be in the range of 40 - 90 psi. A shut-off valve must be installed between the water line and the main water supply. It must be easily accessible so the water supply can be stopped immediately if necessary.

D
 This surface is visible when the appliance door is open. Designed finish is required.

Door Panel Dimensions

and dimensions of free length for power

30" recess

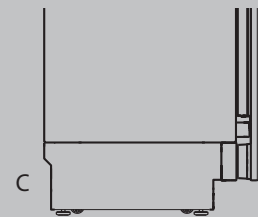
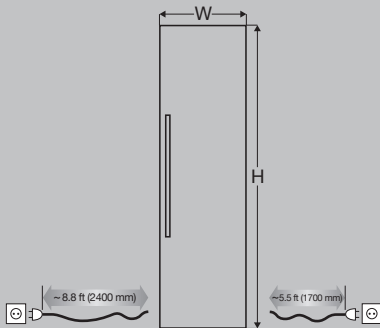
Inset installation style

H = 79 7/8" (2029 mm)
 W = 29 3/4" (756 mm)

Frameless installation style

H = 80" (2032 mm) Add overlapping dimension to the panel on the top.
 W = 30" (762 mm) Add overlapping dimension to the panel on both sides.

Panel thickness: Min. 5/8" (16 mm)* / Max. 1" (25.4 mm)
 Panel and handle weight: Max. 77 lbs. (35 kg)



* If a shaker style panel is used, which is thinner than the minimum panel thickness, shorter screws than those supplied in the accessory pack must be used.