

SUIK 1510

Built-under fridge for integrated use



LIEBHERR

Fully Integrated

LIEBHERR

SUIK 1510

Built-under fridge for integrated use

nische_
82-88_
bo.pdf



| | |
|---------------------------------------|--|
| Type | Fixed door / Under-worktop appliance for integrated use |
| Energy consump. in 365 days/24 h | 147 kWh |
| Total net capacity | 136 l |
| Climate rating | SN-T (+10 °C to +43 °C) |
| Frequency / voltage | 50/60 Hz / 220-240 V- |
| Connection Rating | 1.2 A |
| Aperture dimensions in cm (h / w / d) | 82-88 / 60 / min. 55 |
| Controls | |
| Type of Control | MagicEye, key electronic Digital temperature display for fridge compartment |
| Door alarm | visual and acoustic |
| Fridge compartment | |
| Door interior | Comfort GlassLine storage shelf with bottle holder, adjustable egg tray |
| Interior light | LED lighting |
| Fruit and vegetable bins | 1 spacious fruit and vegetable drawer |
| Features | |
| Side-by-Side concept | Side-panel heating and ceiling heating, suitable for combination with other fridges, freezers and/or wine appliances |
| Door hinges | Reversible door hinging |
| EAN-Nr. | 4016803122517 |

Features



SuperCool

The automatic SuperCool function lowers the refrigerator temperature down to as far as +2 °C for as long as 12 hours - ideal for rapidly cooling freshly stored food.



Door alarm

The audible door alarm alerts the user if the door has been open for longer than 60 seconds for safe protection of the food.



Transparent vegetable bins

Transparent vegetable bins provide plenty of space for the organised storage of fruit and vegetables. In addition, they are easy to clean.



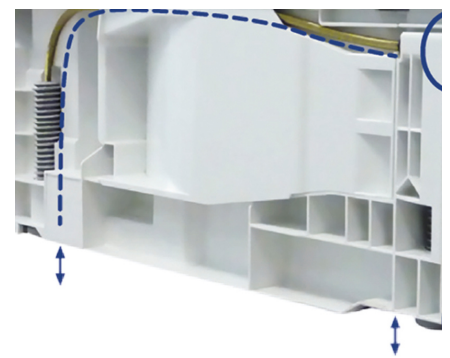
Reversible door hinges

It is possible to change the door hinge on the appliance. The reversible door hinges permit optimum use of the appliance wherever it is located.



Door-on-door system

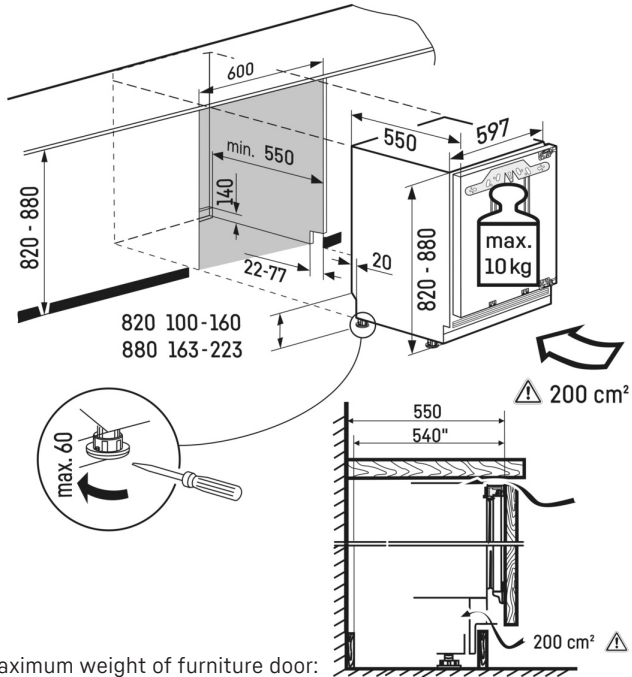
The unit door and appliance door are firmly interconnected with the unit door being fixed directly onto the appliance door.



VarioBase

The VarioBase permits the adjustment of kitchen units in height and depth. All four height-adjustable feet permit adjustment from the front with a 60 mm range. In addition, the ventilation grille can be adjusted within a range of 55 mm to match the front of the kitchen units.

Technical drawing



Maximum weight of furniture door:
Fridge compartment: 10 kg

Products and their details are staged for advertising purposes. Whilst every effort is made to ensure all specifications and information in this flyer are accurate, Liebherr reserves the right to make changes without notification. Where actual appliance measurements, specifications, and ratings are crucial, we recommend that the actual appliance installation instructions that accompany each appliance be checked. Liebherr will not be liable for any damage. (06.04.2023)

