

SKef 4260

Refrigerator
Comfort



LIEBHERR

Freestanding

LIEBHERR

SKef 4260

Refrigerator
Comfort

Smart
Steel

← 60 →



Energy consump. in 365 days/24 h	279 / 0.764 kWh
Frequency / voltage	50/60 Hz / 220-240 V-
Connection Rating	1.2 A
Door / Side walls	SmartSteel / silver
Exterior dimensions in cm (h / w / d)	185.2 / 60 / 62.3

Controls

Type of Control	MagicEye behind-the-door, touch electronic
Door alarm	acoustic
Alarm in case of malfunction	visual and acoustic

Fridge compartment

Forced air system	PowerCooling
Door interior	Comfort GlassLine storage shelf with bottle holder, Egg tray
Bottle shelf	Bottle shelf
Interior light	LED ceiling lighting
Fruit and vegetable bins	2 fruit and vegetable drawers on telescopic rails

Features

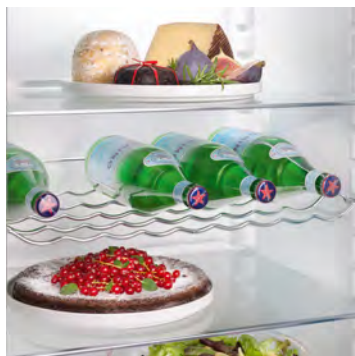
Side-by-Side concept	Side-panel heating on both sides, suitable for combination with other fridges, freezers and/or wine appliances
Door hinges	Fixed door hinge, right
EAN-Nr.	4016803065210

Features



SmartSteel

SmartSteel significantly reduces the visibility of finger marks and is very easy to clean.



Bottle rack

The bottle rack is a solution for storing beverages which is both practical and pleasing to the eye. Here bottles can be stored within a compact space.



SuperCool

The automatic SuperCool function lowers the refrigerator temperature down to as far as +2 °C for as long as 12 hours - ideal for rapidly cooling freshly stored food.



Door alarm

The audible door alarm alerts the user if the door has been open for longer than 60 seconds for safe protection of the food.



Child lock

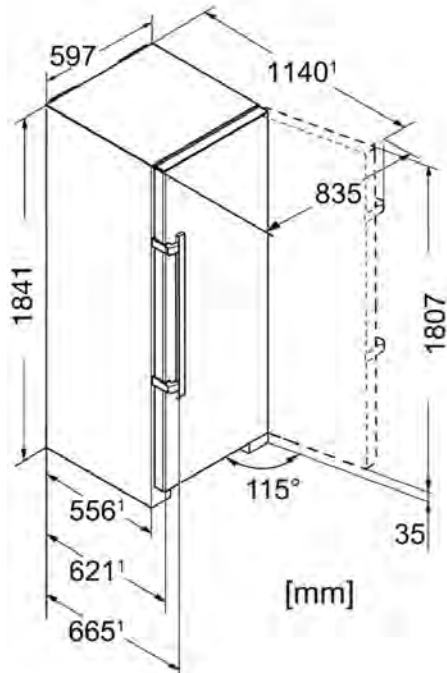
The child lock is programmed so as to prevent the appliance being inadvertently switched off. A symbol in the MagicEye indicates when the child lock is switched on.



Transparent vegetable bins

Transparent vegetable bins provide plenty of space for the organised storage of fruit and vegetables. In addition, they are easy to clean.

Technical drawing



Products and their details are staged for advertising purposes. Whilst every effort is made to ensure all specifications and information in this flyer are accurate, Liebherr reserves the right to make changes without notification. Where actual appliance measurements, specifications, and ratings are crucial, we recommend that the actual appliance installation instructions that accompany each appliance be checked. Liebherr will not be liable for any damage. (01.12.2022)

