

SFNsdh 5227

Freestanding freezer with NoFrost

◇ Plus



LIEBHERR

Freestanding

LIEBHERR

SFNsdh 5227

Freestanding freezer with NoFrost

◇ Plus

G Made
in Germany



← 60 →



Energy consumption (kWh/yr) / Star rating	178 / 5.5
Total volume	278 l ²
Noise output	36 dB(A)
Climate rating	SN-T (+10 °C to +43 °C)
Door / Side walls	SmartSteel / silver
Exterior dimensions in cm (h / w / d)	185.5 / 59.7 / 67.5 ¹
Controls	
Type of Control	LC monochrome display behind-the-door, touch electronic Digital temperature display
Door alarm	visual and acoustic
Alarm in case of malfunction	visual and acoustic
Freezer compartment	
Star coding	****
Number of drawers	7 drawers on integrated drawer guide, VarioSpace Top drawer with convenient tilting function
Freezing capacity in 24 hours	18 kg
Temperature rise time	16 h
VarioSpace	yes
Features	
Side-by-Side concept	Side wall heating right, suitable for combination with other refrigerators, freezers and/or wine appliances
Door hinges	Reversible door hinge, left
Replaceable door seal	yes
EAN-Nr.	4016803131939

¹ To achieve the indicated energy consumption level, the wall spacers provided with the appliance must be used. These increase the appliance depth by approximately 1.5 cm. If the wall spacers are not used, the appliance will remain fully functional, but will have a slightly higher energy consumption level.

² In accordance with Regulation EU 2019/2016 we indicate the total volume to the nearest integer (rounded off) and the volume of the frozen compartments and refrigeration compartments to one place after the decimal point.

Features



NoFrost

When you open your freezer, you want to see frozen food – and certainly not ice and frost. NoFrost protects the freezer compartment from unwanted icing, which consumes a lot of energy and can be expensive. NoFrost means no more tedious and time-consuming defrosting of the freezer compartment, more time for other things – and saving money.



EasyTwist Ice

Whether it's a summer day or a party: Thanks to EasyTwist Ice, you can prepare a supply of ice cubes quickly and easily – without the need for a fixed water connection. Simply fill the tank with water, let it freeze and then release the finished ice cubes with a simple twist – and you're ready to serve cool drinks. The EasyTwist Ice is easy to clean and ensures hygienic ice cube production at all times.



SmartSteel

Thanks to its SmartSteel surface, the purist design language of the appliance is the perfect accent to any kitchen. The horizontal polish brings out the stainless steel and gives it a silky sheen and a pleasant feel. The special coating minimises fingerprints and makes the surface insensitive to scratches. So nothing disturbs the high-quality exterior.



Touch display

Fingertip control: the touch display enables easy and intuitive operation of your Liebherr. All functions are clearly arranged on the display. By gently tapping a finger, for example, you can easily select the functions or check the current temperature of your refrigerator.



SpaceBox

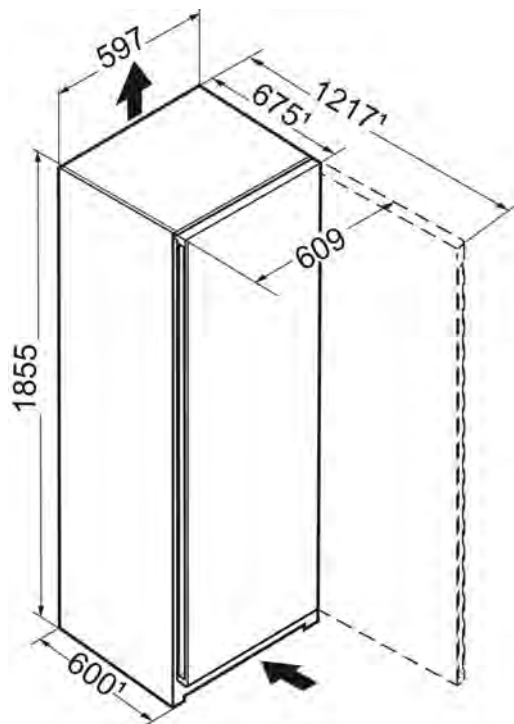
Accommodate the “big stuff” in your Liebherr: An XL turkey or a multi-layered ice cream cake simply needs more space. Your Liebherr has the SpaceBox for exactly that purpose: At a generous height of 250 mm, it offers lots of extra space, even for large frozen goods. Helpful for you when storing food flexibly.



Slimline door handle (with integrated opening mechanism)

Opening made easy: The practical and elegant slimline door handle with an integrated opening mechanism allows you to open the appliance door effortlessly, even when it's opened multiple times in quick succession. The classy, minimalistic handles are also an eye-catcher on your appliance.

Technical drawing



Products and their details are staged for advertising purposes. Whilst every effort is made to ensure all specifications and information in this flyer are accurate, Liebherr reserves the right to make changes without notification. Where actual appliance measurements, specifications, and ratings are crucial, we recommend that the actual appliance installation instructions that accompany each appliance be checked. Liebherr will not be liable for any damage. (09.04.2024)

