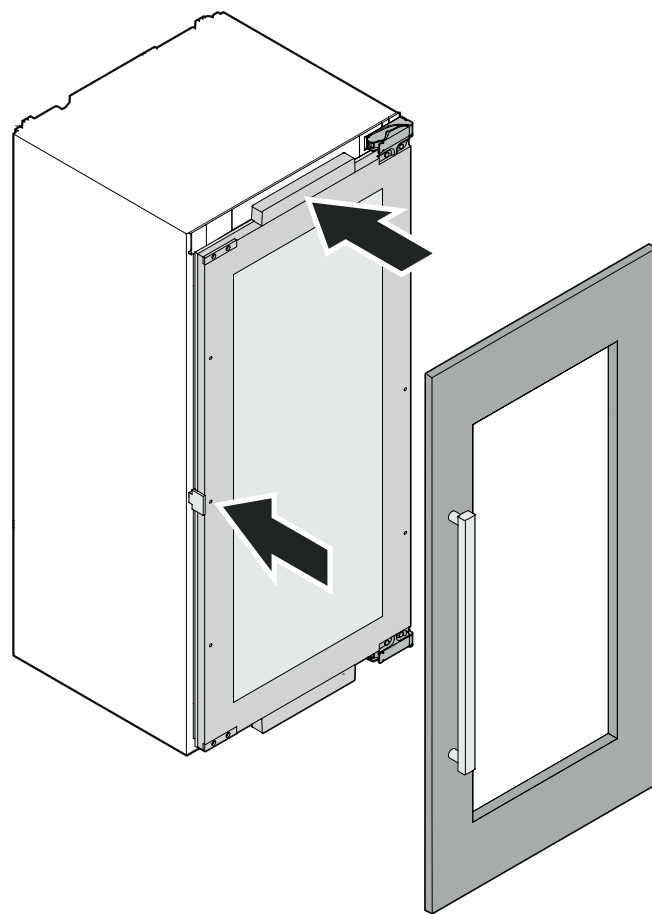
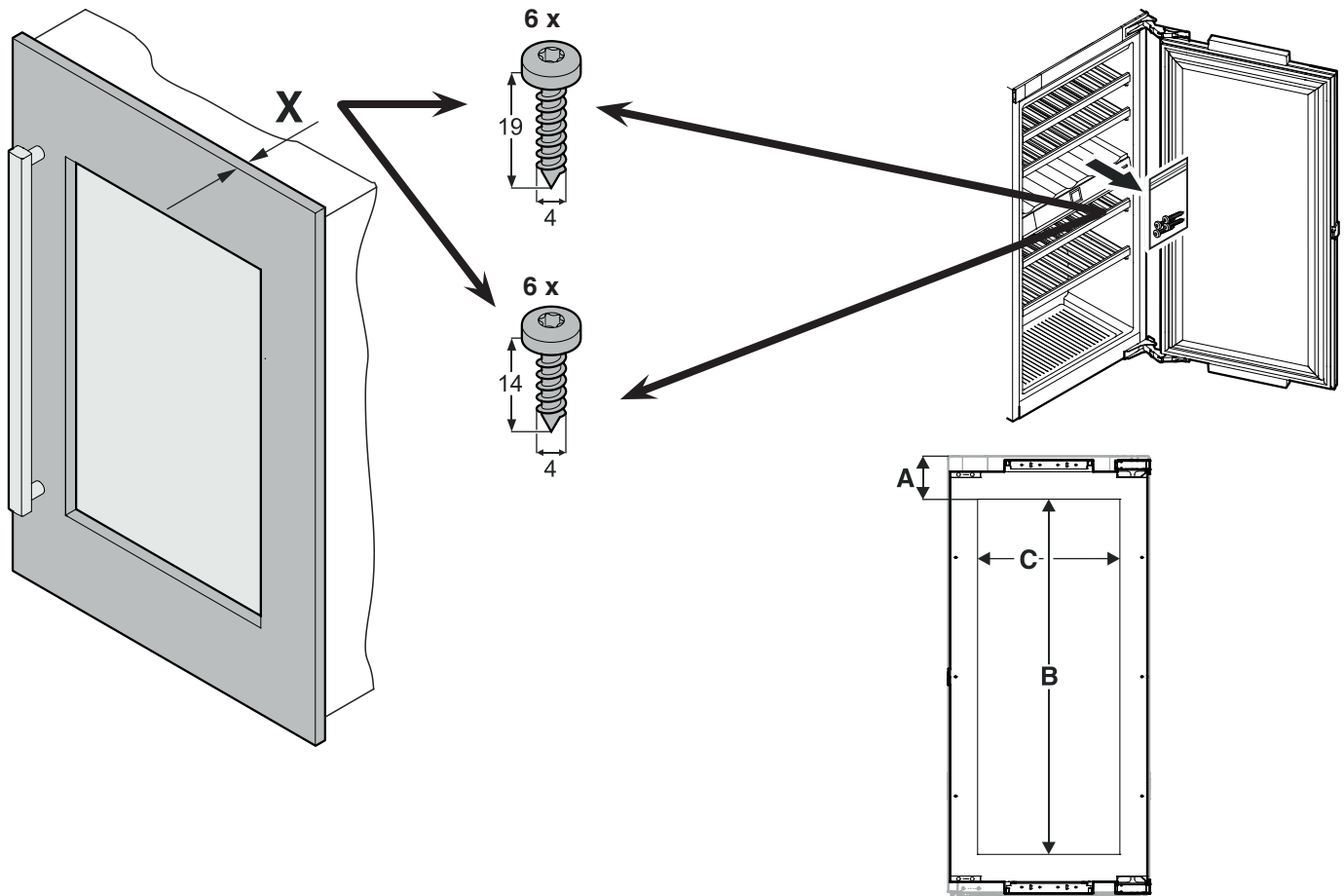


LIEBHERR

Assembly instructions

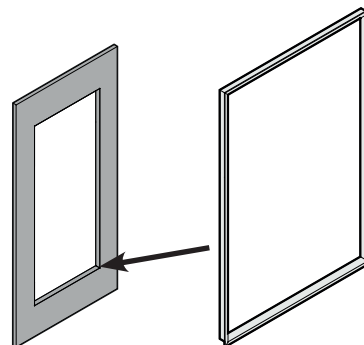


HW 3000, HW 4800, HW 8000
7085 011-00

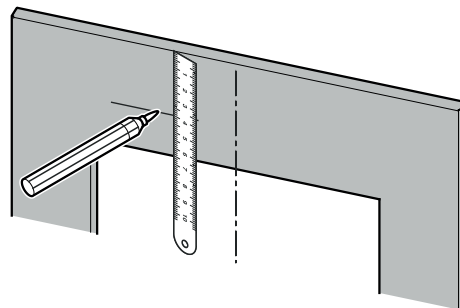
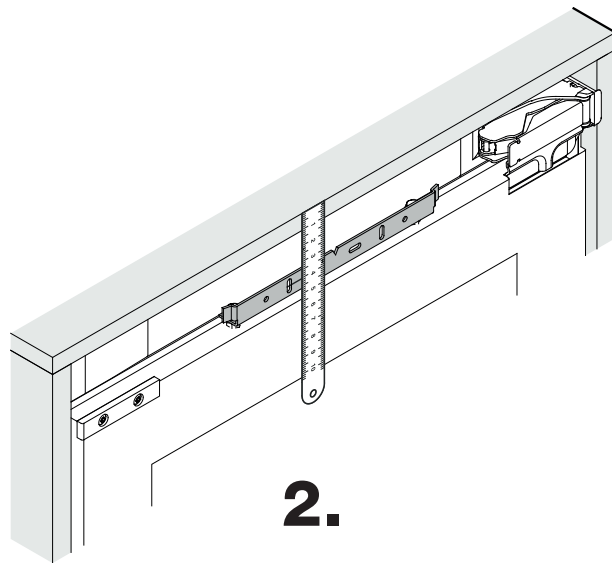
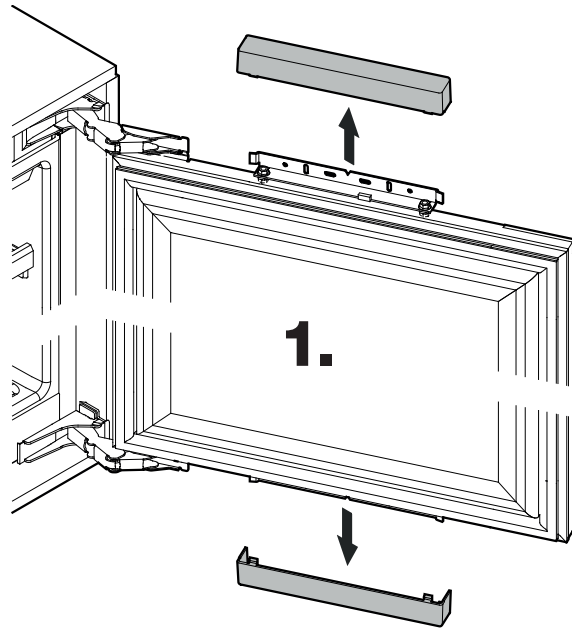


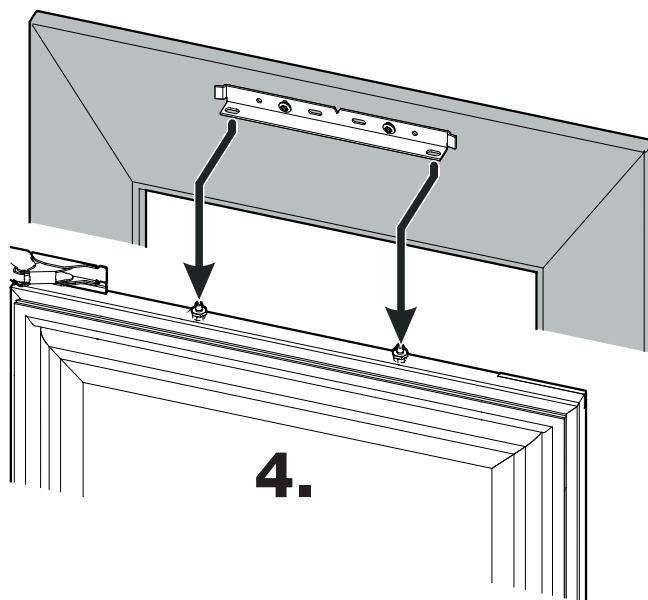
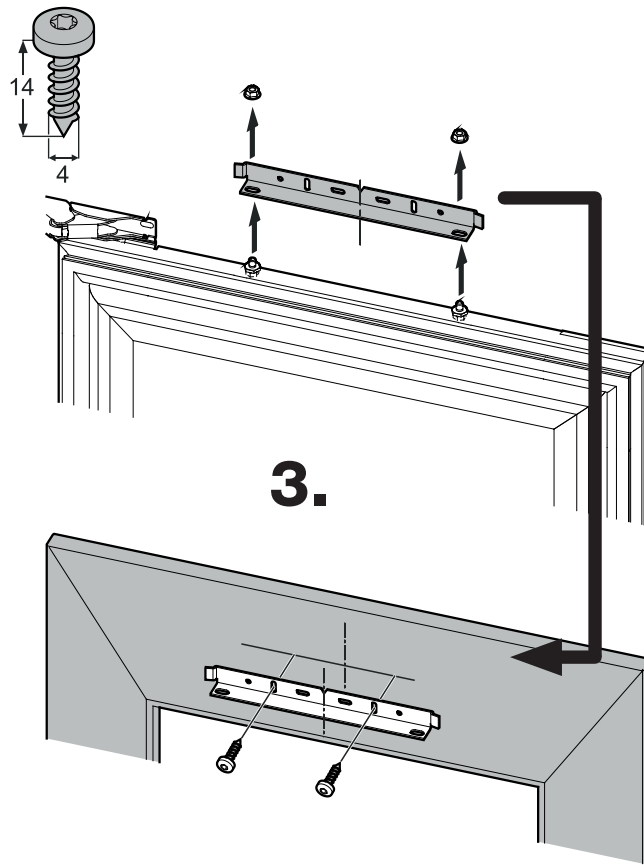
| Panel Dimension max. | | | | | | | | | |
|----------------------|---------------|------------------|-------------|----------------|---------------|------------------|------------------------|------------------------|-------------------------|
| | A | | B | | C | | X | | |
| HW 3000 | min. 119mm | 4-11/16" min. | max. 637mm | 25-1/16" max | max. 395mm | 15-9/16" max. | min. 16mm max. 22mm | 5/8" min. 7/8" max. | 44lbs max. max. 20kg |
| HW 4800 | | | max. 983mm | 38-11/16" max. | | | | | |
| HW 8000 | | | max. 1535mm | 60-7/16" max. | | | | | |

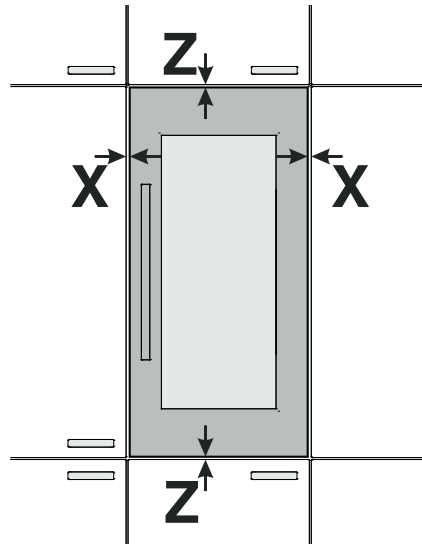
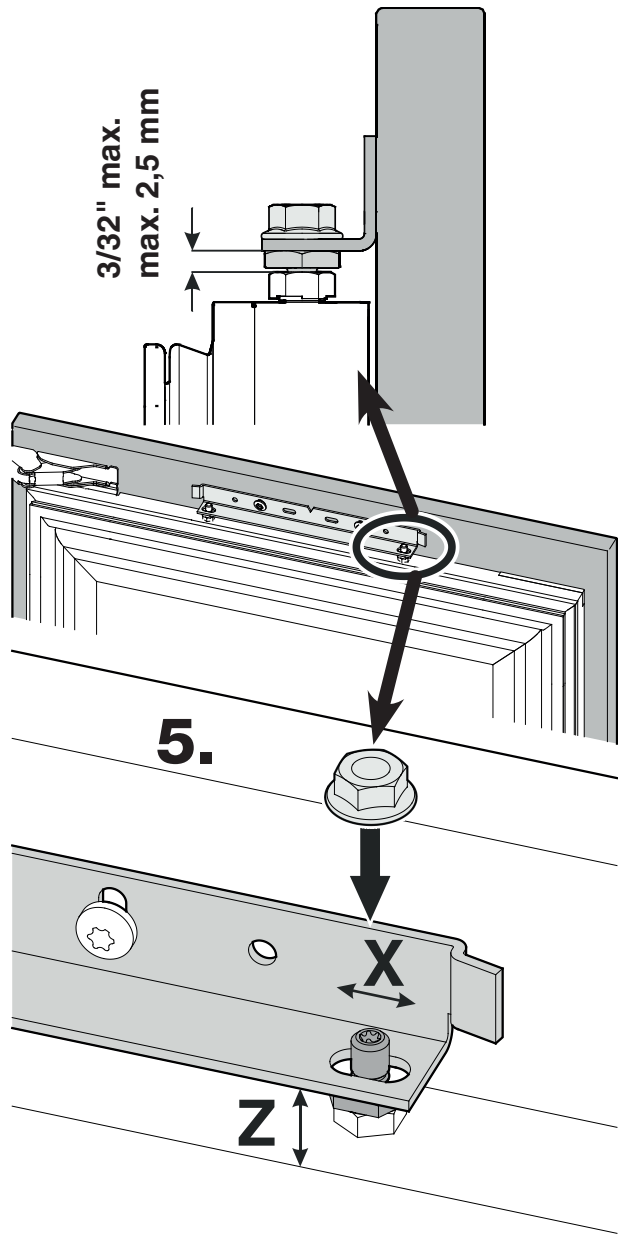
Panel Dimension for aluminium profil frames with thickness X (accessories)

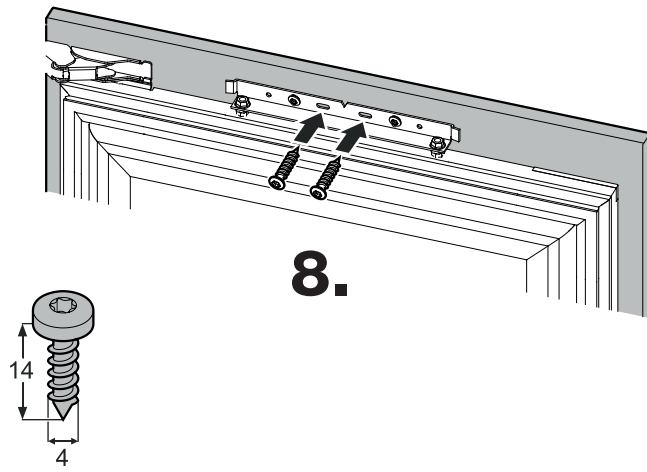
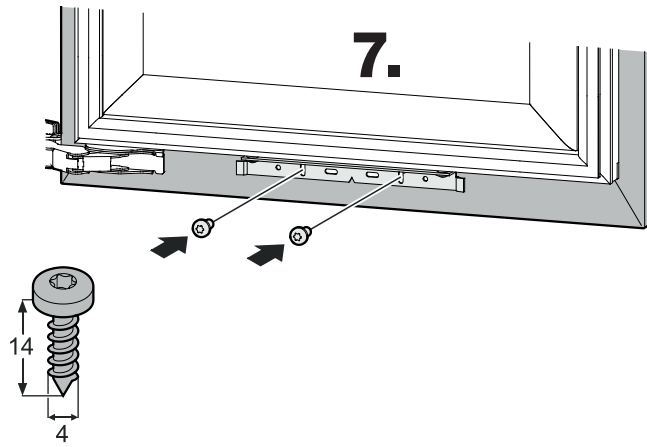


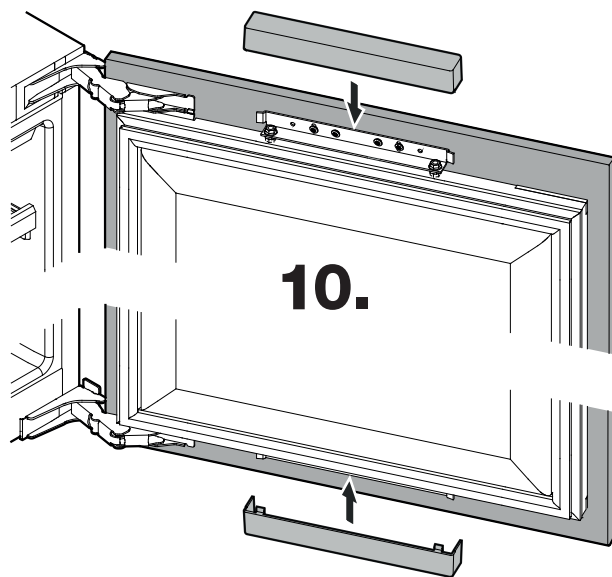
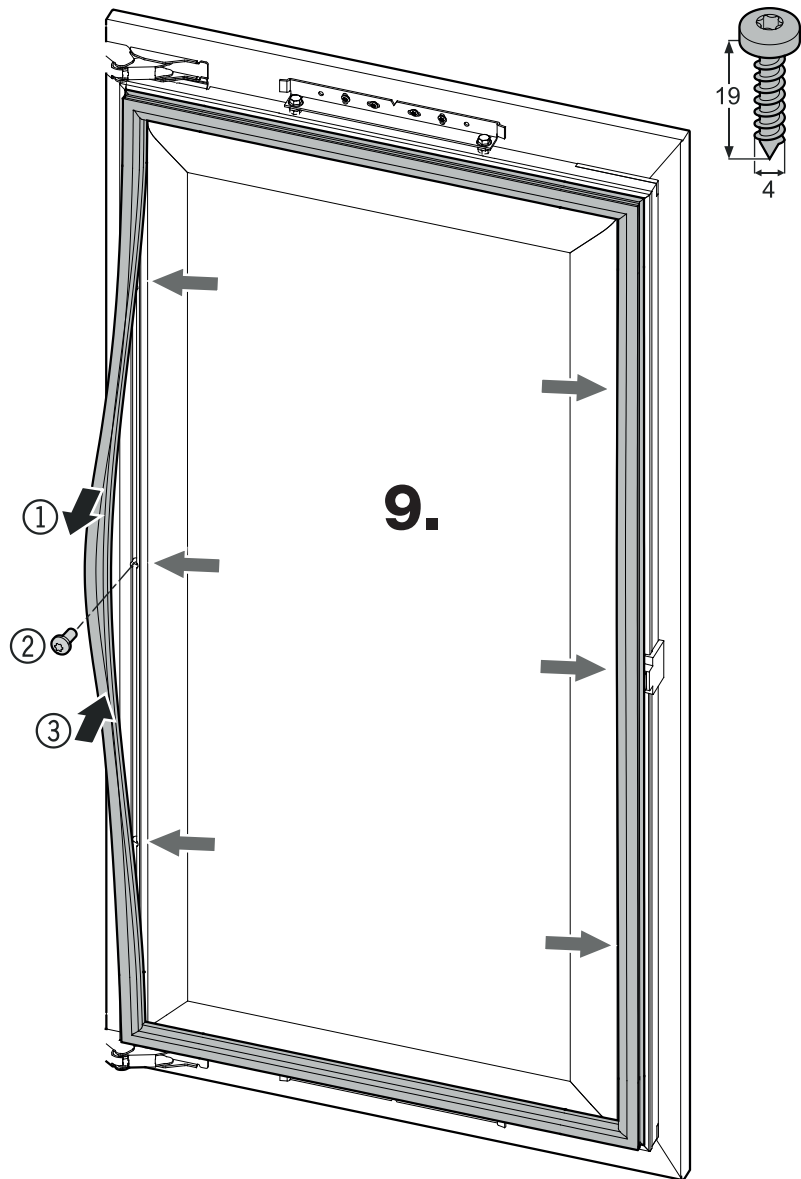
| | A | | B | | C | | X |
|---------|-------|--------|--------|----------|-------|---------|----------------------------------|
| HW 3000 | 133mm | 5-1/4" | 594mm | 23-3/8" | 391mm | 15-3/8" | 3/4" (19mm) or 7/8" (22mm) |
| HW 4800 | 152mm | 6" | 921mm | 36-1/4" | | | |
| HW 8000 | 133mm | 5-1/4" | 1504mm | 59-3/16" | | | |











For Service in the U.S.

Liebherr Service Center

Toll Free: **1-866-LIEBHER** or **1-866-543-2437**

Email: Service-appliances.us@liebherr.com

PlusOne Solutions, Inc.

3501 Quadrangle Blvd, Suite 120

Orlando, FL 32817

For Service in Canada

Liebherr Service Center

Toll Free: **1-888-LIEBHER** or **1-888-543-2437**

www.euro-parts.ca

EURO-PARTS CANADA

39822 Belgrave Road

Belgrave, Ontario, N0G 1E0

Phone: (519) 357-3320

Fax: (519) 357-1326



www.liebherr-appliances.com