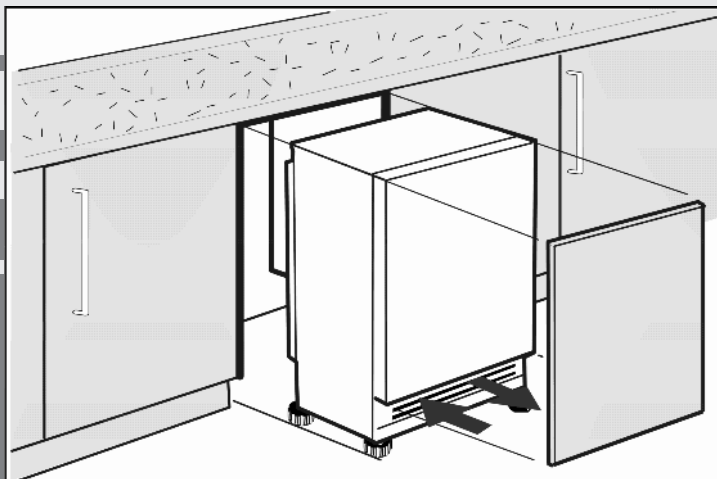


# Installation instructions

Under-worktop refrigerators and freezers, for integrated use

EN



100616 **7085270 - 01**

UIK/ UIG ... 3

**LIEBHERR**

# General safety information

## Contents

1	General safety information.....	2
2	Putting into operation.....	2
2.1	Installing the appliance.....	2
2.2	Changing over door hinges.....	3
2.3	Built-in.....	4
2.4	Connecting the appliance.....	8

The manufacturer works constantly on the further development of all the types and models. Therefore please understand that we have to reserve the right to make design, equipment and technical modifications.




To get to know all the benefits of your new appliance, please read the information contained in these instructions carefully.

The instructions apply to several models. Differences may occur. Text relating only to specific appliances is marked with an asterisk (\*).

Instructions for action are marked with a ►, the results of action are marked with a ▷.

## 1 General safety information

- The socket must be easily accessible so that the appliance can be quickly disconnected from the supply in an emergency. It must be outside the area of the rear of the appliance.

	DANGER	identifies a situation involving direct danger which, if not obviated, may result in death or severe bodily injury.
	WARNING	identifies a dangerous situation which, if not obviated, may result in death or severe bodily injury.
	CAUTION	identifies a dangerous situation which, if not obviated, may result in minor or medium bodily injury.
	NOTICE	identifies a dangerous situation which, if not obviated, may result in damage to property.
	Note	identifies useful information and tips.

## 2 Putting into operation

### 2.1 Installing the appliance



#### WARNING

Risk of fire due to short circuit!

If the mains cable/connector of the appliance or of another appliance touch the rear of the appliance, the mains cable/connector may be damaged by the appliance vibrations, leading to a short circuit.

- Stand the appliance so that it is not touched by connectors or main cables.
- Do not plug the appliance or any others into sockets located near the rear of the appliance.



#### WARNING

Fire hazard due to dampness!

If live parts or the mains lead become damp this may cause short circuits.

- The appliance is designed for use in enclosed areas. Do not operate the appliance outdoors or in areas where it is exposed to splash water or damp conditions.
- Only use the appliance when it is installed.



#### WARNING\*

Fire hazard due to refrigerant!

The refrigerant R 600a is environmentally friendly but flammable. Escaping refrigerant may ignite.

- Do not damage the piping of the refrigeration circuit.



#### WARNING

Fire hazard and danger of damage!

- Do not place appliances emitting heat e.g. microwaves, toasters etc. on the appliance!



#### WARNING

Blocked ventilation openings pose a risk of fire and damage!

- Always keep the ventilation openings clear. Always ensure that the appliance is properly ventilated!

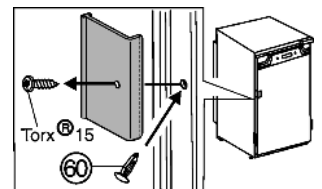
- In the event that the appliance is damaged, contact the supplier immediately before connecting to the mains.
- The floor at the site must be flat and level.
- Do not install the appliance in a location where it is exposed to direct radiation of the sun, next to a cooker, heater and similar.
- The appliance is suitable for integrated, under-worktop use.
- Ventilation is effected by way of the plinth.
- Do not install the appliance without assistance.
- The more R 600a refrigerant there is in the appliance, the larger the room in which the appliance is standing needs to be. In rooms that are too small, a flammable mix of gas and air may be created if there is a leak. According to the EN 378 standard, every 11 g of R 600a refrigerant requires at least 1 m<sup>3</sup> space in the room for the appliance. The amount of refrigerant in your appliance is on the type plate inside the appliance.\*

- Detach the connecting cable from the rear of the appliance, removing the cable holder at the same time because otherwise there will be vibratory noise!

After installation:

- Remove the protective film from the decorative trims.\*
- Remove all transit supports.

- Unscrew the red transport lock. Close the vacated retaining hole using the stopper (60).



- Dispose of packaging material. For Side-by-Side installation, freezer and refrigerator side by side:
- Always install the freezer on the right of the refrigerator, as seen from the front.
- ▷ No condensate forms between the appliances thanks to the side wall heating system foamed in on the left.

**Note**

- ▶ Clean the appliance .

If the appliance is installed in a very damp environment, condensate may form on the outside of the appliance.

- ▶ Always see to good ventilation at the installation site.

## 2.2 Changing over door hinges

**NOTICE**

Risk of damage by condensate to appliances installed side-by-side!

If refrigerator and freezer are installed side-by-side, the freezer always has to be to the right of the refrigerator, as seen from the front.

- ▶ Do not change over the door hinges.

Ensure that the following tools are to hand:

- ☐ Cordless screwdriver Torx® 15, 25
- ☐ Screwdriver Torx® 15, 25

Slide the appliance 2/3 of the way into the recess.

Pull out the power plug.

Open the door.

### 2.2.1 Detach the soft stop mechanism\*

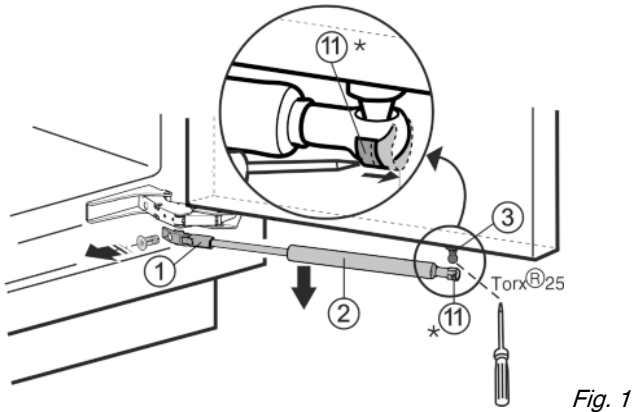


Fig. 1



**CAUTION**

Risk of injury if soft stop contracts!

- ▶ Carefully remove the soft stop mechanism.
- ▶ Push tension spring Fig. 1 (11) outwards, using a screwdriver.\*
- ▶ Lower soft stop mechanism Fig. 1 (2) for removal.
- ▶ Unscrew holder Fig. 1 (1).
- ▶ Unscrew the ball stud Fig. 1 (3) (Torx® 25).

### 2.2.2 Demount door

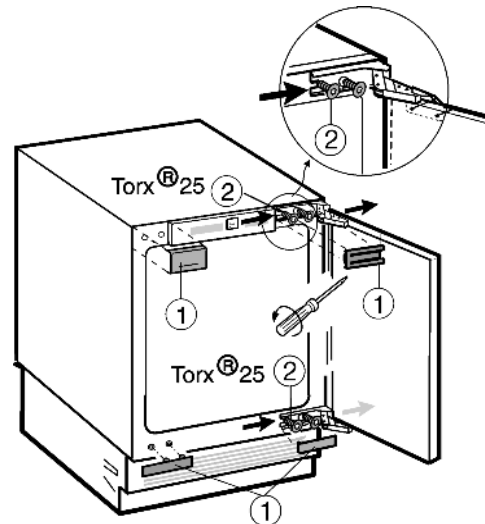


Fig. 2

- ▶ Lift off covers Fig. 2 (1).
- ▶ Only slacken fastening screws Fig. 2 (2).
- ▶ Remove door: push outwards, unhinge and set aside.

### 2.2.3 Change freezer compartment door\*

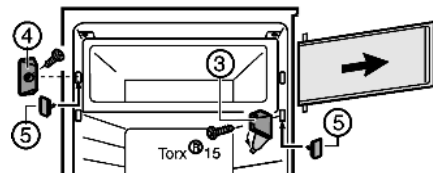


Fig. 3

- ▶ Fold away the cover of the turn hinge Fig. 3 (4).
- ▶ Unscrew turn hinge Fig. 3 (3) together with compartment door.
- ▶ Unscrew closing element Fig. 3 (4).
- ▶ Close the vacated holes with the accompanying stoppers Fig. 3 (5).

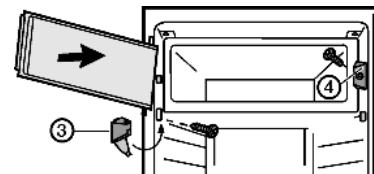


Fig. 4

- ▶ Fit the closing element Fig. 4 (4).
- ▶ Fit the compartment door at the top.
- ▶ Fit the turn hinge Fig. 4 (3) and fold the cover.

### 2.2.4 Changing bearing parts



**CAUTION**

Risk of injury if hinges fold!

- ▶ Leave hinges open.

## Putting into operation

- ▶ Transfer top and bottom fastening screws *Fig. 2 (2)* to the opposite side.

Screws are self-tapping. Use cordless screwdriver:

- ▶ Unscrew *Fig. 5 (7)* the hinges from the door, transfer them diagonally and screw them firmly into place (**with 4 Nm**).
- ▶ Close the vacated fastening holes with the accompanying stoppers *Fig. 5 (6)*.

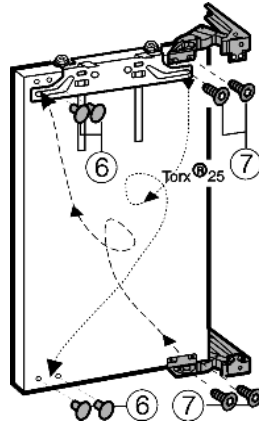


Fig. 5

### 2.2.5 Re-fit soft stop mechanism\*

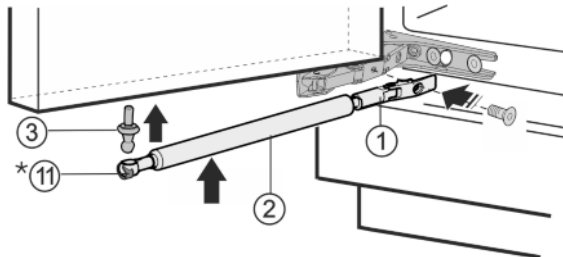


Fig. 6

- ▶ Screw the ball stud *Fig. 6 (3)* firmly into the new fastening hole (**with 4 Nm**) (Torx® 25).
- ▶ Push tension spring *Fig. 6 (11)* inwards again.\*
- ▶ Screw on the bracket *Fig. 6 (1)* **tightly (3 Nm)** anschrauben.
- ▶ Attach soft stop mechanism *Fig. 6 (2)* to ball stud.

### 2.2.6 Re-fit door

- ▶ Attach appliance door to the prefitted fastening screws *Fig. 2 (2)*.
- ▶ Firmly tighten the fastening screws *Fig. 2 (2)* (**with 4 Nm**).
- ▶ Re-fit covers *Fig. 2 (1)*.



#### WARNING

Risk of injury due to the door dropping out!

If the fastening parts are not screwed into place firmly enough, the door may drop out. This may lead to severe injuries. What is more, the door may not close and therefore the appliance may fail to cool properly.

- ▶ Screw the hinges and the ball journal of the soft stop mechanism firmly into place, with 4 Nm.
- ▶ Screw the holder of the soft stop mechanism firmly into place, with at least 3 Nm.
- ▶ Check all of the screws and retighten if necessary.

## 2.3 Built-in

All the assembly components accompany the appliance.

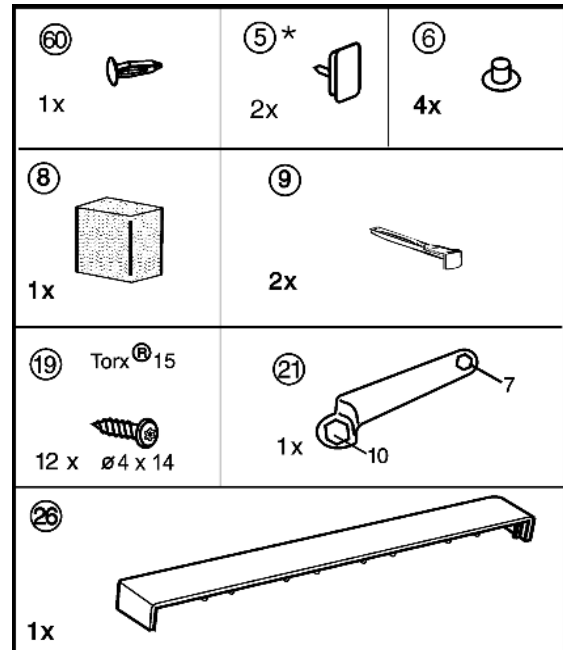


Fig. 7

Ensure that the following tools are to hand:

- Cordless screwdriver Torx®15, 20, 25
- Spanner 13
- Screwdriver Torx® 15
- Flat-blade screwdriver 6
- Allen key 8
- Tape measure
- Pencil
- String

#### NOTICE

Risk of damage due to condensate!

- ▶ If refrigerator and freezer are installed side-by-side, the freezer always has to be sited to the right of the refrigerator (as seen from the front). Condensate is prevented from forming between the appliances by the foamed-in side wall heating on the left side of the freezer.

In the case of side-by-side installation, freezer and refrigerator next to one another, build the appliances into separate built-under recesses.

Pay attention that the socket is readily accessible.

Check installation dimensions:

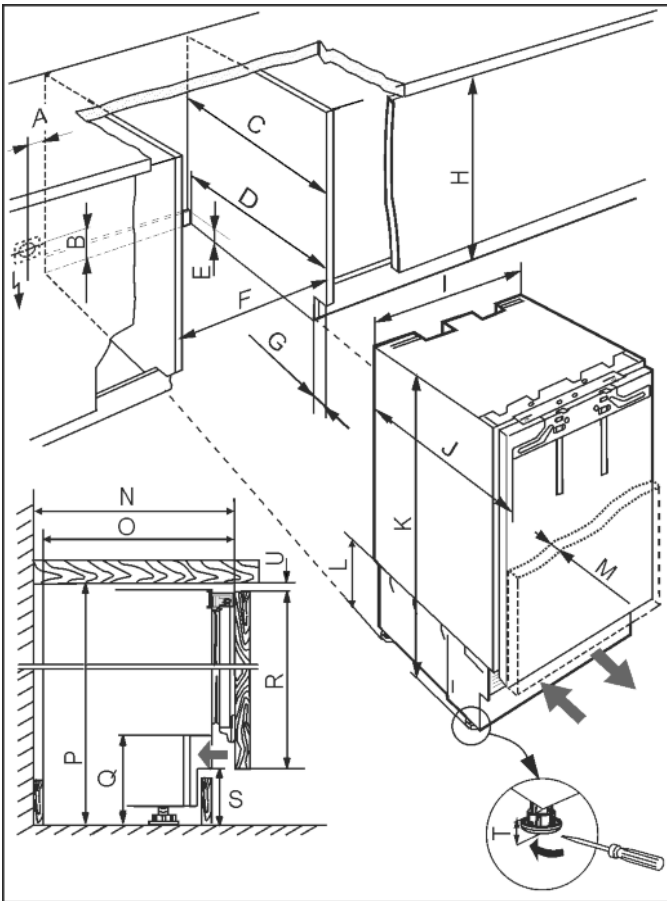


Fig. 8

	mm		mm
A	100	L	168
B	200	M	max. 19
C	min. 550	N	550
D	540	O	540
E	140	P	820 — 880
F	600	Q	168 — 218
G	22 — 77	R	646 — 770
H	820 — 880	S	max. 102 — 152
I	597	T	max. 50
J	550	U	4
K	819.5 — 869.5		

### Ventilation requirements

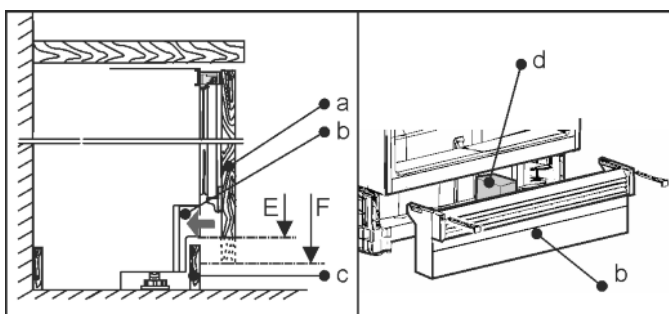


Fig. 9

Requirement	Effect
-------------	--------

<b>Case E:</b> Ventilation holes in the plinth panel b can be visible or just covered by the unit door a.	Ventilation sufficient.
<b>Case F:</b> The unit door covers the ventilation openings in the plinth panel b and parts of the unit plinth panel c.	There must be a gap of 35 mm for ventilation between the unit plinth panel c and the unit door a.
Fix the <b>foam pad d</b> in the middle of the plinth panel b.	The foam pad d is used to separate the incoming and outgoing air flow and allows sufficient ventilation.

### Unit door weight

#### Note

- ▶ Before assembling the door of the unit, make sure that the admissible weight of the unit door is not exceeded.
- ▶ Otherwise damage to the hinges and resultant malfunction cannot be ruled out.

Model	Maximum unit door weight
UIK / UIG	10 kg

### 2.3.1 Installing the appliance

Unit plinth panel removed.

- ▶ Detach the connecting cable from the rear of the appliance, removing the cable holder at the same time because otherwise there will be vibratory noise!
- ▶ Lay the connecting cable with the help of a string in such a way that the appliance can be easily connected after fitting.

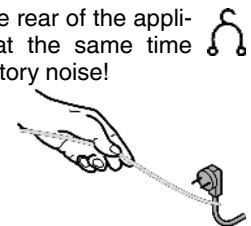


Fig. 10

#### Slide in and align the appliance:

#### NOTICE

Risk of harm to flooring susceptible to damage!

- ▶ Place a strip of cardboard under the height-adjustable feet, approx. 10 cm x 60 cm, one at either side. Cut the strips out of the packaging. For opening heights less than 826 mm, use strips of a firm but thin material.
- ▶ After the appliance has been slid in, remove the strips.

- ▶ Push the appliance into the recess and align the front edges of the hinges until they are flush with the side wall of the unit.

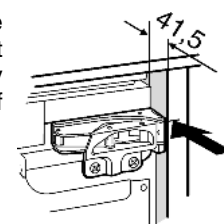


Fig. 11

- ▶ The distance between the front edge of the side wall of the unit to the appliance body is 41.5 mm all the way round. (Allow for door stop components, such as knobs and sealing lips.)
  - ▶ Should there be no unit side wall, align it with the work surface.
- For units with door stop components (knobs, sealing lips etc.):**
- ▶ Allow for the extra distance (depth of the door stop components): Allow the hinges to protrude by the additional distance required.

# Putting into operation

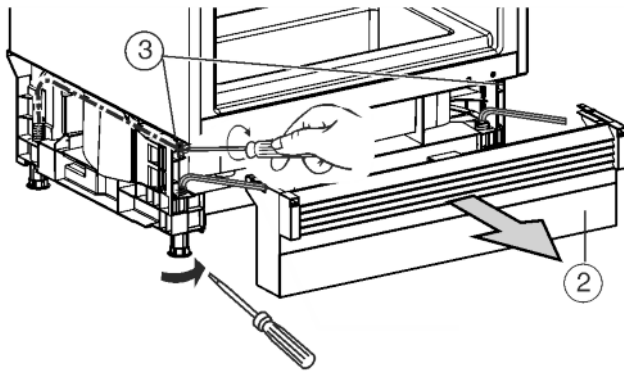


Fig. 12

- ▶ Remove the plinth panel Fig. 12 (2) by pulling it forwards. If necessary, remove the bottom door rack. This will make it easier to fit.
- ▶ Align the appliance upright using the adjustable feet: Unscrew the rear adjustable feet alternately with the screws Fig. 12 (3). Unscrew the front adjustable feet with a screwdriver. Use an 8 mm socket wrench when they are screwed in. The appliance should be slightly braced in the recess between the floor and the work surface.

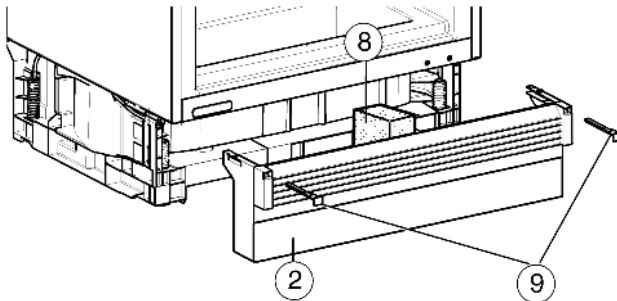


Fig. 13

- ▶ Insert foam element Fig. 13 (8) - functionally important for separate air currents!
- ▶ Replace the plinth panel Fig. 13 (2).
- ▶ Positioning the unit door for testing
- ▶ If the plinth panel Fig. 13 (2) is visible, pull it forward until the front edge of the ventilation grid and the unit plinth panel are in line.

-or-

- ▶ If the plinth panel Fig. 13 (2) is hidden, push it right back.

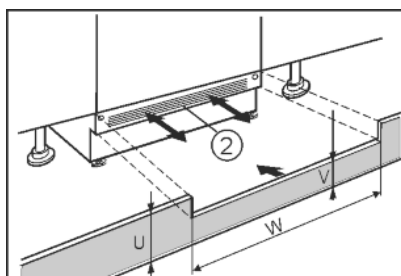


Fig. 14

- ▶ Pay attention that the ventilation slots are unobstructed: If necessary, cut away the plinth accordingly!
- ▶ To fix the plinth: Insert the bolts Fig. 13 (9), while keeping firm hold of the plinth.
- ▶ Fixing the unit plinth panel.

### To secure appliance in the recess:

For installing the appliance under a granite worktop, a fastening set for lateral fixation is available from After Sales Service.

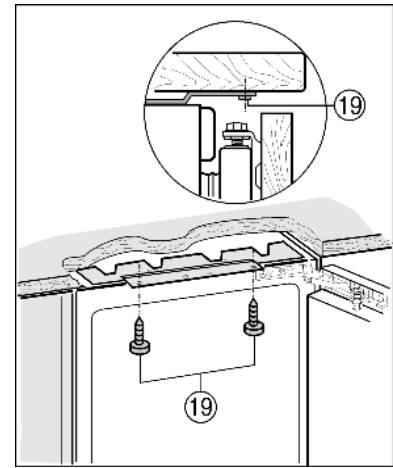


Fig. 15

- ▶ Secure the appliance at the top using long Spax screws Fig. 15 (19).

### 2.3.2 Fitting the unit door

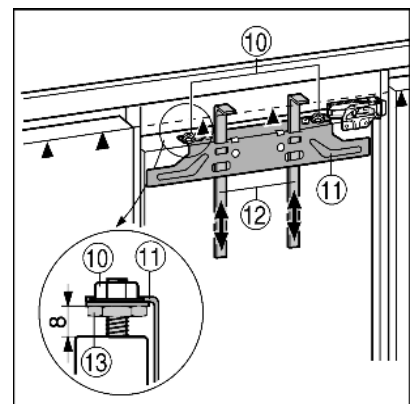


Fig. 16

- ▶ Check 8 mm presetting. (Distance between appliance door and lower edge of crosspiece)
- ▶ Push up assembly aids Fig. 16 (12) to unit door height. Lower edge ▲ of the assembly aid = top edge of the unit door to be fitted.
- ▶ Unscrew fastening crosspiece Fig. 16 (11) by undoing the locknuts Fig. 16 (10).

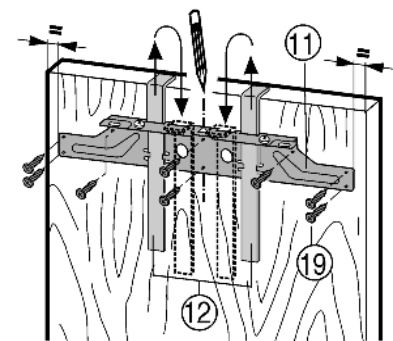


Fig. 17

- ▶ Attach fastening crosspiece Fig. 17 (11) to the inside of the unit door using the assembly aids Fig. 17 (12).
- ▶ Centre fastening crosspiece Fig. 17 (11): mark a short centre line on the unit door and place the tip of the crosspiece arrow over it.
- ▷ Distances to the outer edge are equal at the left and right.
- For chipboard doors:**
- ▶ Secure the fastening crosspiece Fig. 17 (11) with at least 6 screws Fig. 17 (19).
- For frame and panel doors:**
- ▶ Secure the fastening crosspiece Fig. 17 (11) with 4 screws Fig. 17 (19) at the edge.
- ▶ Raise the assembly aids Fig. 17 (12) for removal, turn them and insert them into the adjacent openings.

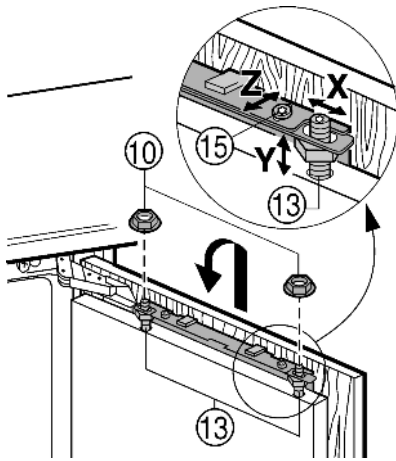


Fig. 18

- ▶ Attach the unit door to the adjusting bolts Fig. 18 (13) and loosely screw the locknuts Fig. 18 (10) onto them.
- ▶ Close the door.
- ▶ Check the gap between the door and the surrounding unit doors.
- ▶ To laterally align the door: push unit door in X direction.
- ▶ Align the door vertically Y and in the lateral inclination: adjust adjusting bolts Fig. 18 (13) with a screwdriver.
- ▷ The unit door is flush and in alignment with the surrounding unit fronts.
- ▶ Tighten locknuts Fig. 18 (10).

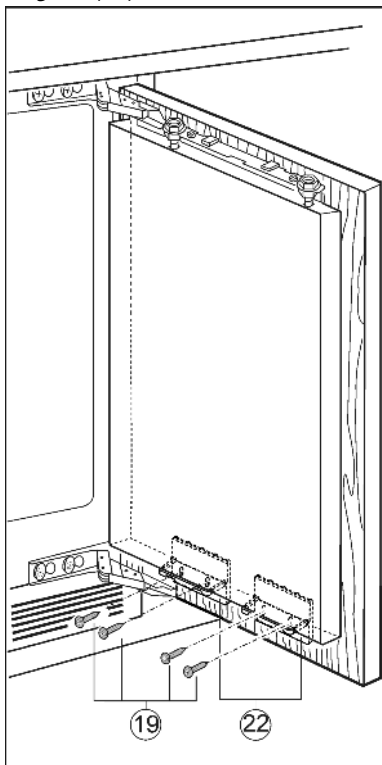


Fig. 19

- ▶ Drill pilot holes in the door of the unit (possibly make preliminary hole with a bradawl).
- ▶ Screw the appliance door to the unit door with screws Fig. 19 (19) passed through the mounting brackets Fig. 19 (22).

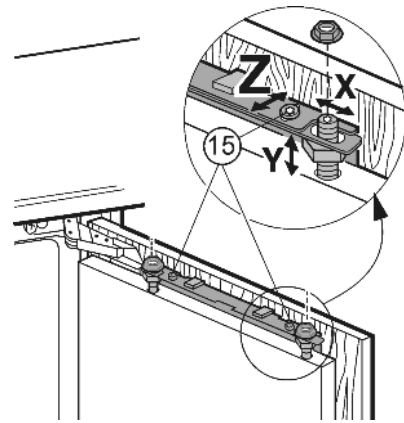


Fig. 20

- ▶ Adjust the depth of the unit door (Z): Undo the screws Fig. 20 (15) at the top and screws Fig. 21 (24) at the bottom, then move the door.
- ▶ Do not allow knobs and sealing lips to make contact - important for function!
- ▶ Allow an air gap of approx. 2 mm between the unit door and the body of the unit.

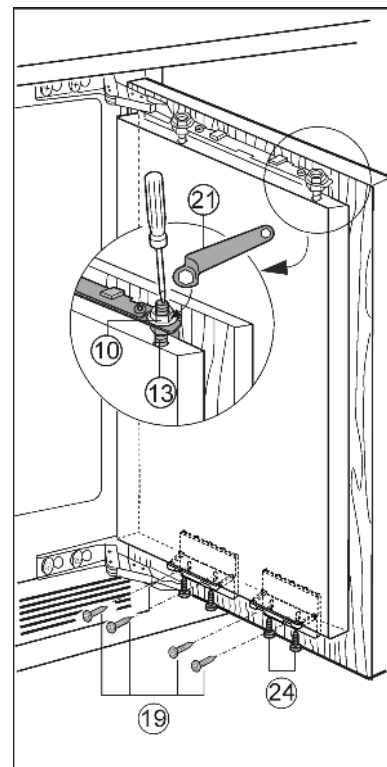
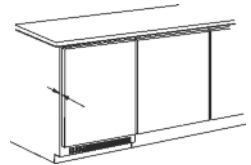


Fig. 21

- ▶ Check the fit of the door and readjust if necessary.
- ▶ Tighten all screws.
- ▶ Tighten the locknuts Fig. 21 (10) with the ring spanner Fig. 21 (21), while holding the adjusting bolts Fig. 21 (13) with a screwdriver.

- ▶ Attach top cover Fig. 22 (26) and snap into place.

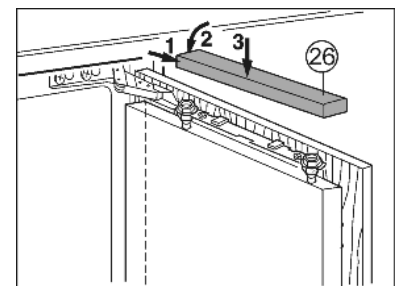


Fig. 22

For appliances without soft stop mechanism adjust door stop cushioning.

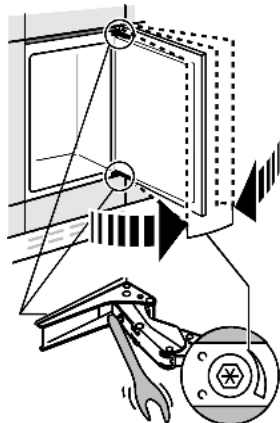


# Putting into operation

---

The door stop cushioning can be adjusted if necessary using the accompanying Allen key 5:

- ▶ For stronger spring force: turn clockwise.
- ▶ For lesser spring force (as-delivered): turn anticlockwise.



Check the following points to ensure the appliance is fitted properly. Failure to do so may lead to icing, condensate forming and malfunction:

- ▷ The door has to close properly
- ▷ The unit door must not butt against the unit body
- ▷ The seal must have a firm fit at the upper corner on the handle side. To check, darken the room, place a torch inside the appliance at the top and close the door. If light shines through, check the installation.

## 2.4 Connecting the appliance

---

### NOTICE

Failure to connect properly  
Damage to the electronics.

- ▶ Do not use a standalone inverter.
  - ▶ Do not use an energy saving plug.
- 



### WARNING

Failure to connect properly  
Fire.

- ▶ Do not use an extension cable.
  - ▶ Do not use distributor blocks.
- 

The type of current (alternating current) and voltage at the installation site have to conform with the data on the type plate (see Appliance at a glance).

The socket must be properly earthed and fused. The tripping current for the fuse must be between 10 A and 16 A.

The socket must be easily accessible so that the appliance can be quickly disconnected from the supply in an emergency. It must be outside the area of the rear of the appliance.

- ▶ Check the electrical connection.
- ▶ Plug in the power plug.









**Liebherr-Hausgeräte Ochsenhausen GmbH**

Memminger Straße 77-79

88416 Ochsenhausen

Deutschland

[home.liebherr.com](http://home.liebherr.com)