

Installation instructions

Side-by-Side combinations

EN



20191106 **7085626 - 00**

SBS

LIEBHERR

General safety information

Contents

1	General safety information	2
2	External dimensions of the appliance	2
3	Side-by-side assembly	2

The manufacturer works constantly on the further development of all the types and models. Therefore please understand that we have to reserve the right to make design, equipment and technical modifications.

To get to know all the benefits of your new appliance, please read the information contained in these instructions carefully.

The instructions apply to several models. Differences may occur. Text relating only to specific appliances is marked with an asterisk (*).

Instructions for action are marked with a ►, the results of action are marked with a ▢.

1 General safety information

- The socket must be easily accessible so that the appliance can be quickly disconnected from the supply in an emergency. It must be outside the area of the rear of the appliance.

	DANGER	identifies a situation involving direct danger which, if not obviated, may result in death or severe bodily injury.
	WARNING	identifies a dangerous situation which, if not obviated, may result in death or severe bodily injury.
	CAUTION	identifies a dangerous situation which, if not obviated, may result in minor or medium bodily injury.
	NOTICE	identifies a dangerous situation which, if not obviated, may result in damage to property.
	Note	identifies useful information and tips.

2 External dimensions of the appliance

Appliance name	Height A (mm)
SBSes 7155	1841
SBSes 7165	1841
SBS(esf) 7212	1841
SBS(esf) 7222	1841
SBS(ef) 7242	1841
SBS(es) 7252	1841
SBS(es/bs) 7253	1841
SBS 7262	1841
SBS(es/bs) 7263	1841
SBS(ef) 7343	1841
SBS(es/bs) 7353	1841

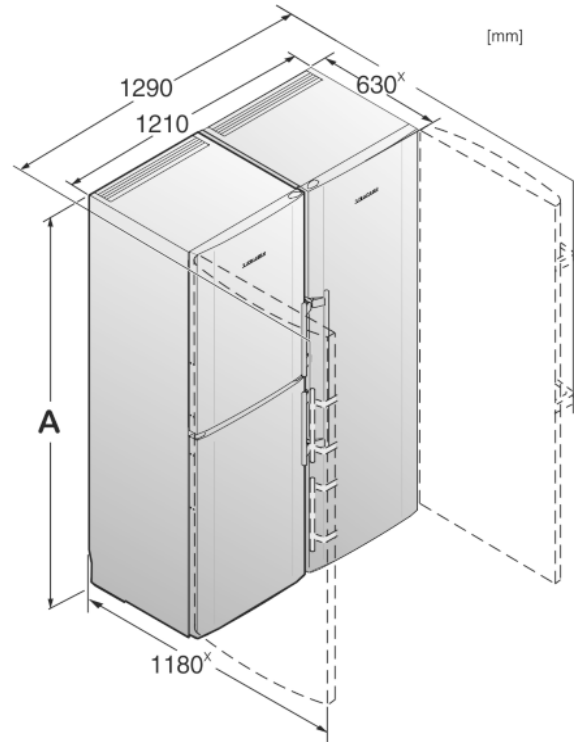


Fig. 1

* For appliances supplied with wall spacers, the measurement increases by 35 mm .

3 Side-by-side assembly

Install the freezer or the appliance with freezer compartment on the left as viewed from the front. These appliances have a side-wall heating on the right-hand side to prevent the formation of condensation.

All the assembly components are supplied with the appliance.

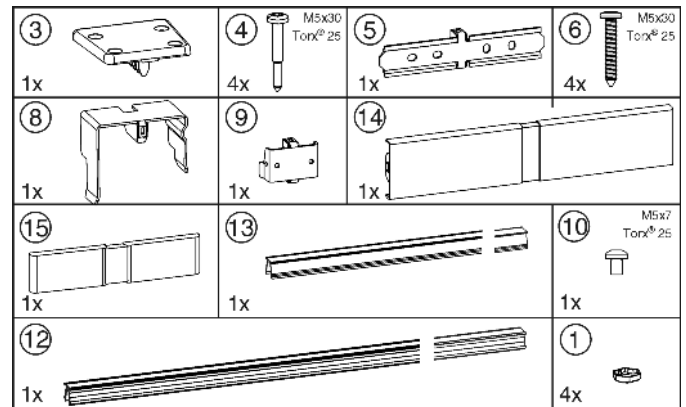


Fig. 2

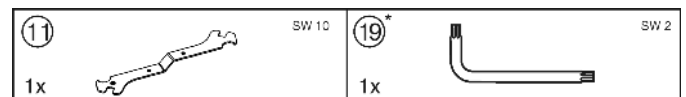


Fig. 3

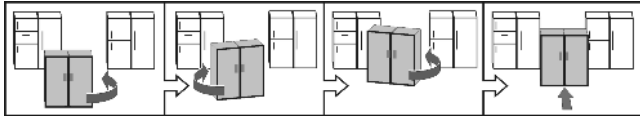
Ensure that the following tools are to hand:

- Spirit level
- Power screwdriver
- Screwdriver Torx® 25
- Open-ended spanner size 10 (included in supply package)

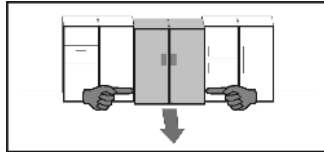
Information for moving the combined appliance:

- Before assembling the appliances, site them as closely as possible to the final position.

- ❑ When moving the appliances, always take hold of them at the outer front corners. On no account should you push with your knee against the side walls or door.
- ❑ The combined appliance is easiest to shift diagonally by moving the left and right corner alternately. Once the combined appliance is exactly in front of the aperture, push it straight in.



- ❑ If the combined appliance has to be pulled out of the aperture again, take hold of it in the lower third area and pull it straight forwards.



NOTICE

Risk of damage when moving the combined SBS appliance! The combined SBS appliance is heavy once assembled. The appliance may be dented by improper movement.

- ▶ Observe the information given on moving the appliance (see above).

- ▶ Remove all protective film from the outside of the housing.

On the front of the appliance:

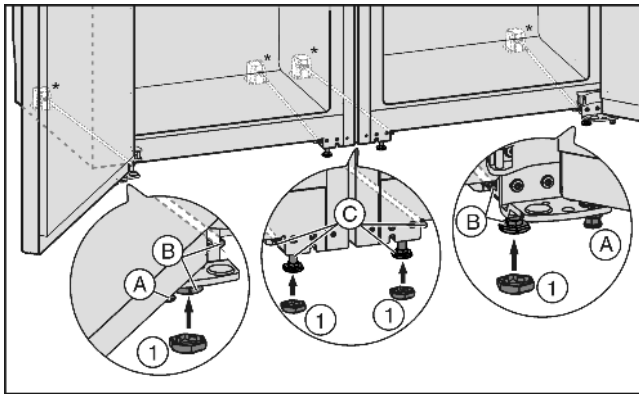


Fig. 4

- ▶ If necessary, completely retract the height-adjustable feet Fig. 4 (A) at the front of both appliances so that they are not touching the floor.
- ▶ Place the caps Fig. 4 (1) onto the four front height-adjustable feet.
- ▶ Push both appliances together up to approx. 10 mm apart so that they stand flush at the front.

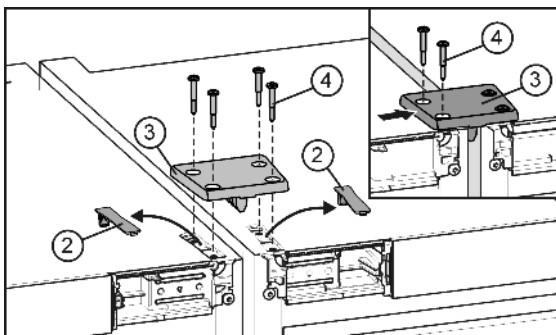


Fig. 5

- ▶ Unclip and remove the covers Fig. 5 (2).

The joining plate automatically aligns the height of the appliances. If one appliance is slightly higher than the other, start with that appliance.

- ▶ Put the joining plate Fig. 5 (3) in place and fix it loosely to one appliance with two screws Fig. 5 (4).

- ▶ Move the joining plate sideways so that the centre bar of the plate lies on the side wall of the appliance. Tighten the screws.
- ▶ Now screw the joining plate to the other appliance. As you do this, shift the appliances together or apart slightly as necessary.

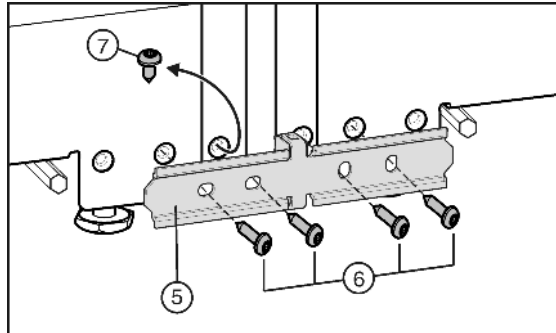


Fig. 6

- ▶ If the appliance is fitted with the pre-mounted screw Fig. 6 (7): Undo the screw.

The joining plate automatically aligns the depth of the appliances. If one appliance is further forward than the other, start with that appliance. Otherwise start with the appliance on the left.

- ▶ Fix the joining plate Fig. 6 (5) loosely to one appliance with two screws Fig. 6 (6).
- ▶ Move the joining plate sideways so that the centre bar of the plate lies on the side wall of the appliance. Tighten the screws.
- ▶ Now screw the joining plate to the other appliance. As you do this, shift the appliances together or apart slightly as necessary.

On the rear of the appliance:

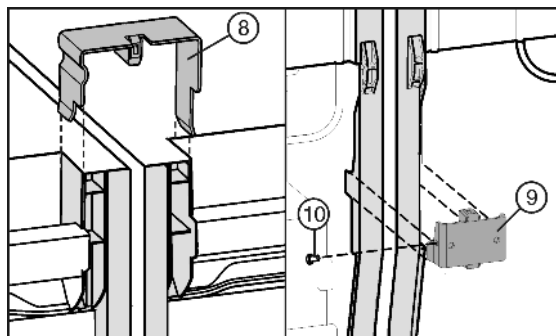


Fig. 7

- ▶ Insert the joining clamp Fig. 7 (8) at the top of the centre side walls.
- ▶ Insert the joining angle Fig. 7 (9) into the recess at the bottom.
- ▶ If the joining angle is too loose, fix it with a screw Fig. 7 (10).

Note

- ▶ To avoid vibration noise, ensure neither the clamps nor the screws are in contact with the tubes on the rear of the appliance!

On the front of the appliance:

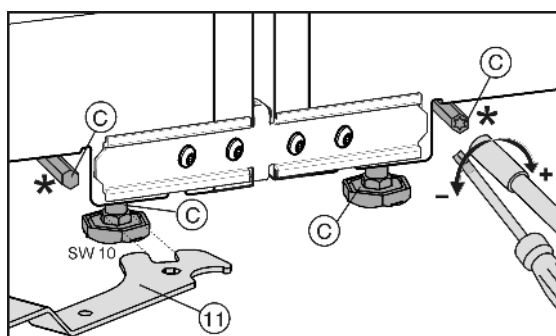


Fig. 8

Side-by-side assembly

NOTICE

Risk of damage to the castor bases!

- ▶ When aligning the appliance by the back adjustable feet, do not use a cordless screwdriver, as this will either damage the height adjustment mechanism or possibly loosen the adjusting rod. Adjust the feet by hand.

You can adjust the front height-adjustable feet with the opened spanner *Fig. 8 (11)* included in the supply package, and the rear height-adjustable feet* with a Torx® 25 screwdriver.

- ▶ Retract the centre height-adjustable feet *Fig. 4 (C)* so they are not in contact with the floor.
- ▶ Level the combination using the outer height-adjustable feet *Fig. 4 (B)*.

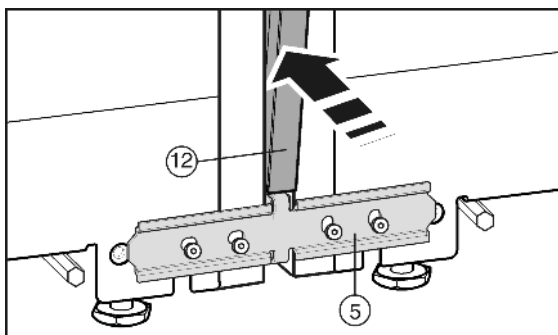


Fig. 9

Before fitting the cover strip *Fig. 9 (12)*, press the two bars together along the whole length. That makes it easier to insert the strip into the gap. Use a soft cloth to press the strip into place to avoid making dents in the surface. Carefully press the strip into the gap, keeping it straight, to achieve an optimal joint.

- ▶ On the front, press the long cover strip *Fig. 9 (12)* into the vertical gap. Make sure the strip sits on top of the joining plate *Fig. 9 (5)*.
- ▶ Peel the protective film off the cover strip.*

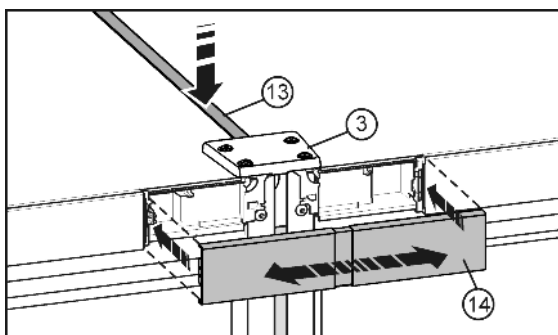


Fig. 10

- ▶ On the top of the appliances, press the short strip *Fig. 10 (13)* into the gap. Make sure the front edge of the strip is flush with the joining plate *Fig. 10 (3)*.
- ▶ Clip the cover *Fig. 10 (14)* over the gap between the two control panel covers. Make sure the side edges of the cover are flush with the control panel covers. To enable this, the cover is expandable.

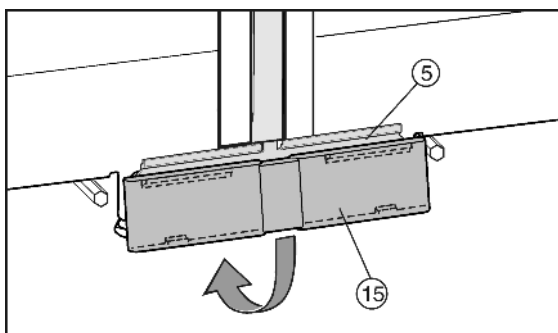


Fig. 11

- ▶ Fit the bottom cover *Fig. 11 (15)* from above onto the joining plate *Fig. 11 (5)* and snap it in at the bottom.
- ▶ Connect the combination to the mains according to the manual.
- ▶ Appliances with IceMakers:
- ▶ Connect the appliance to the fixed water connection according to the manual.

NOTICE

Risk of damage when moving the combined SBS appliance!

The combined SBS appliance is heavy once assembled. The appliance may be dented by improper movement.

- ▶ Observe the information given on moving the appliance (see above).

- ▶ Carefully slide the combination into the intended position.
- ▶ If necessary, align the height with the height-adjustable feet.
- ▶ Lower the centre height-adjustable feet *Fig. 4 (C)* until they touch the floor.
- ▶ Then support the door: Extend the height-adjustable feet *Fig. 4 (A)* at the turn hinge until they are resting on the floor, then turn them further by 90°.



Liebherr-Hausgeräte Marica EOOD

4202 Radinovo

Bezirk Plovdiv

Bulgarien

home.liebherr.com