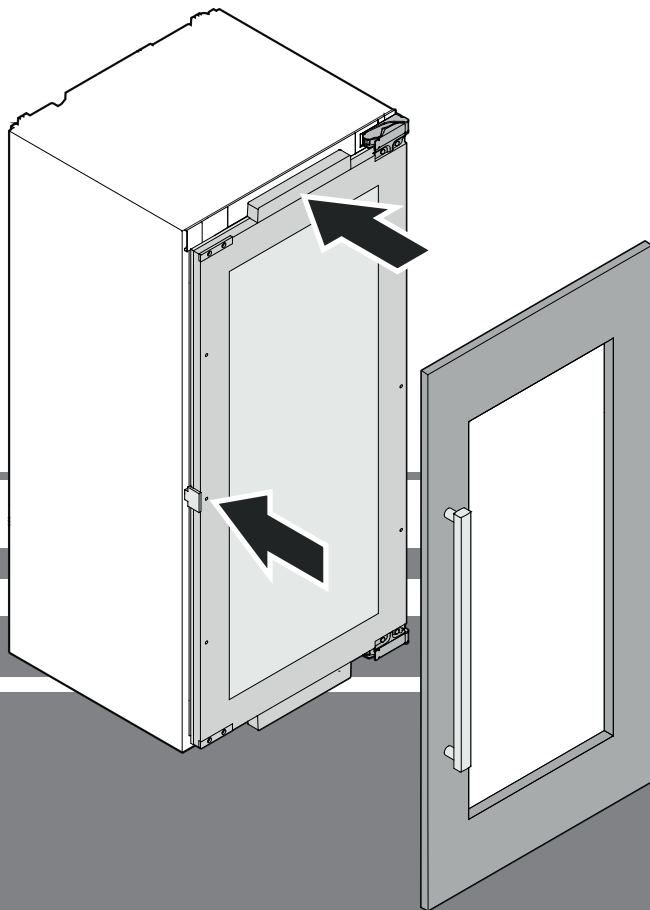


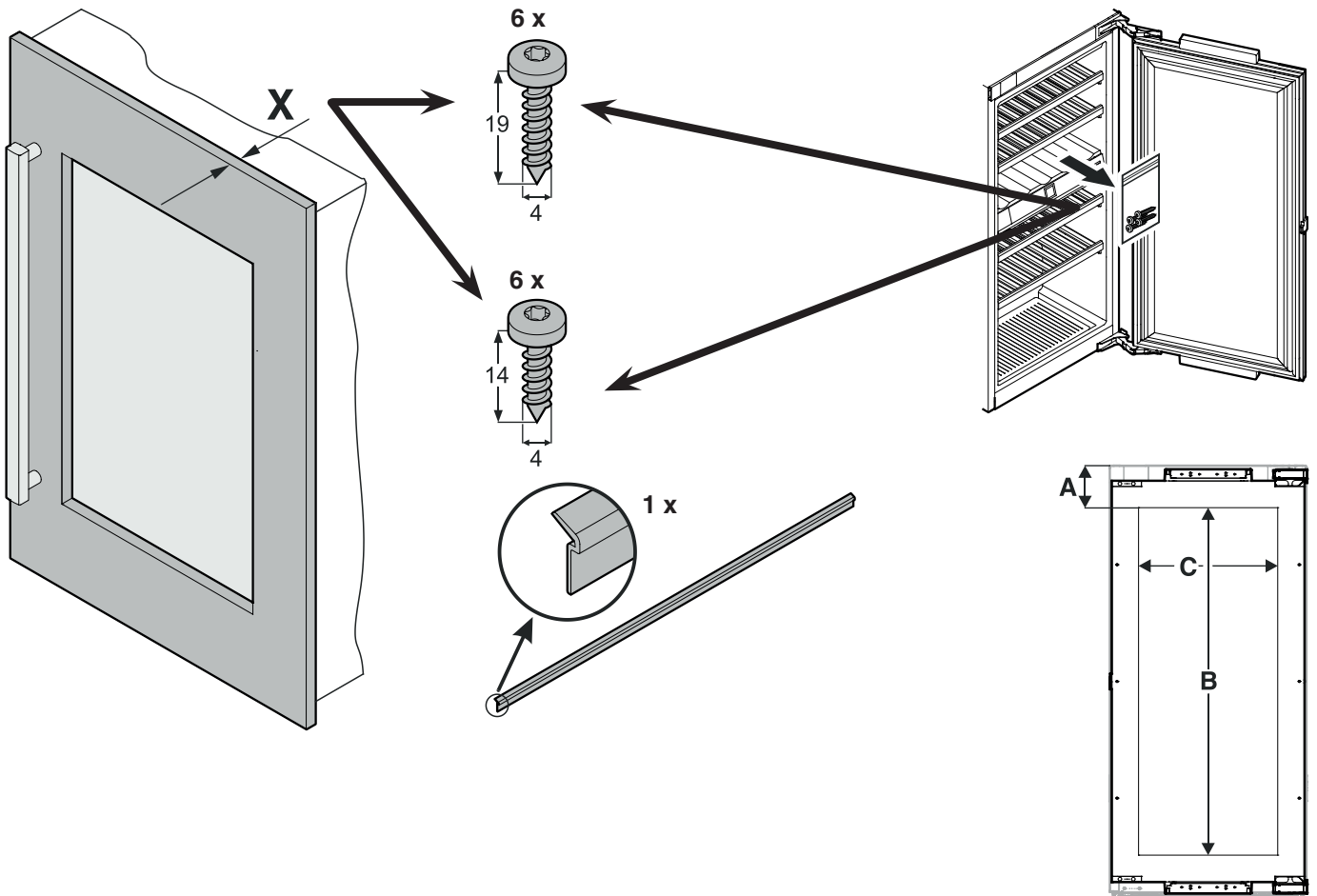
Montageanleitung / Assembly instructions



7085 661-00

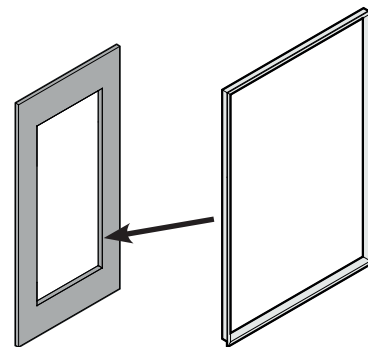
EWTdf 1653 / 2353 / 3553



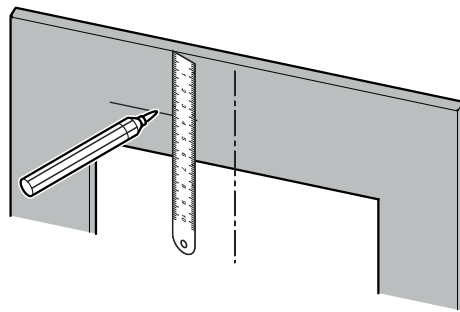
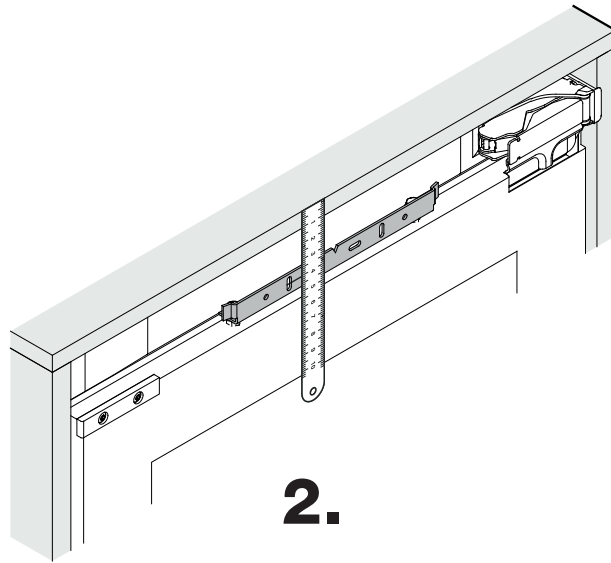
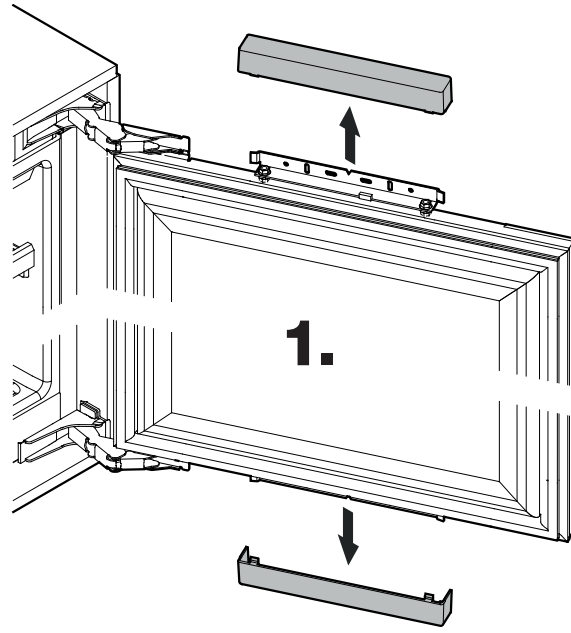


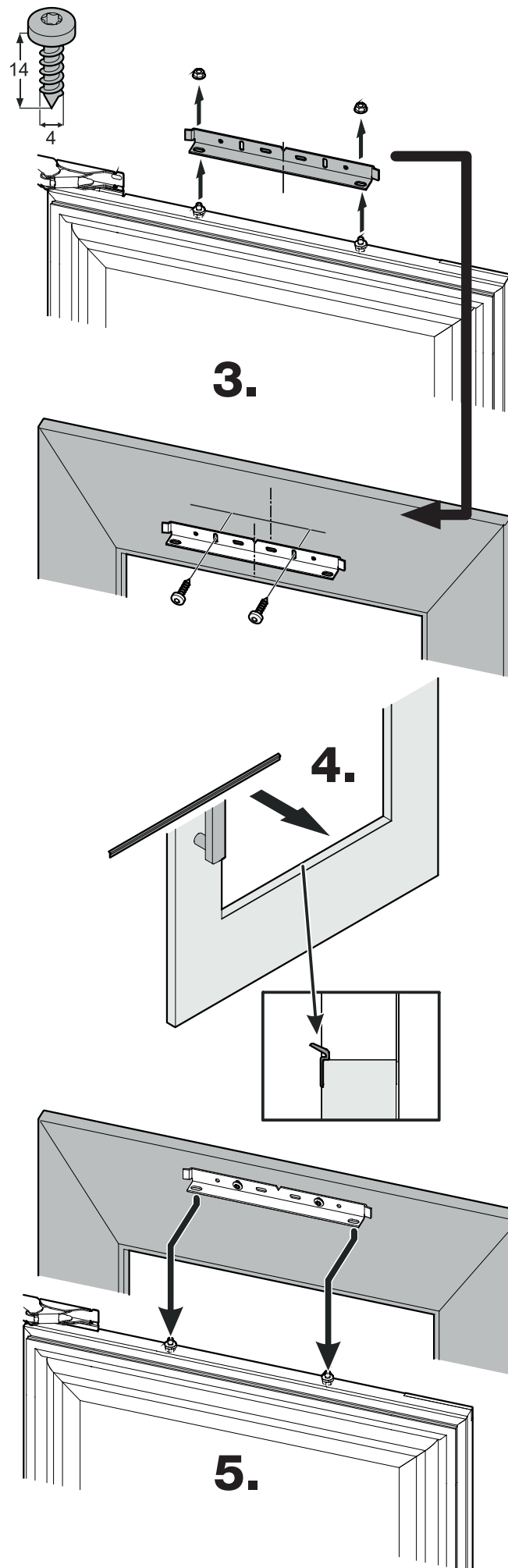
Panel Dimension max.					
	A (mm / mm)	B (mm / mm)	C (mm / mm)	X (mm / mm)	
EWTdf 16..	min.119	max. 637	max. 395mm	min. 16 max. 22	max. 20kg
EWTdf 23..		max. 983			
EWTdf 35..		max. 1535			

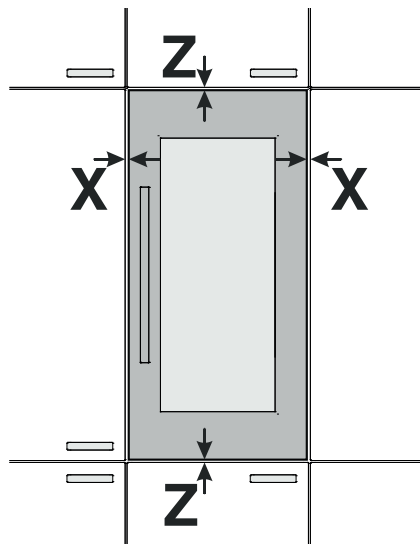
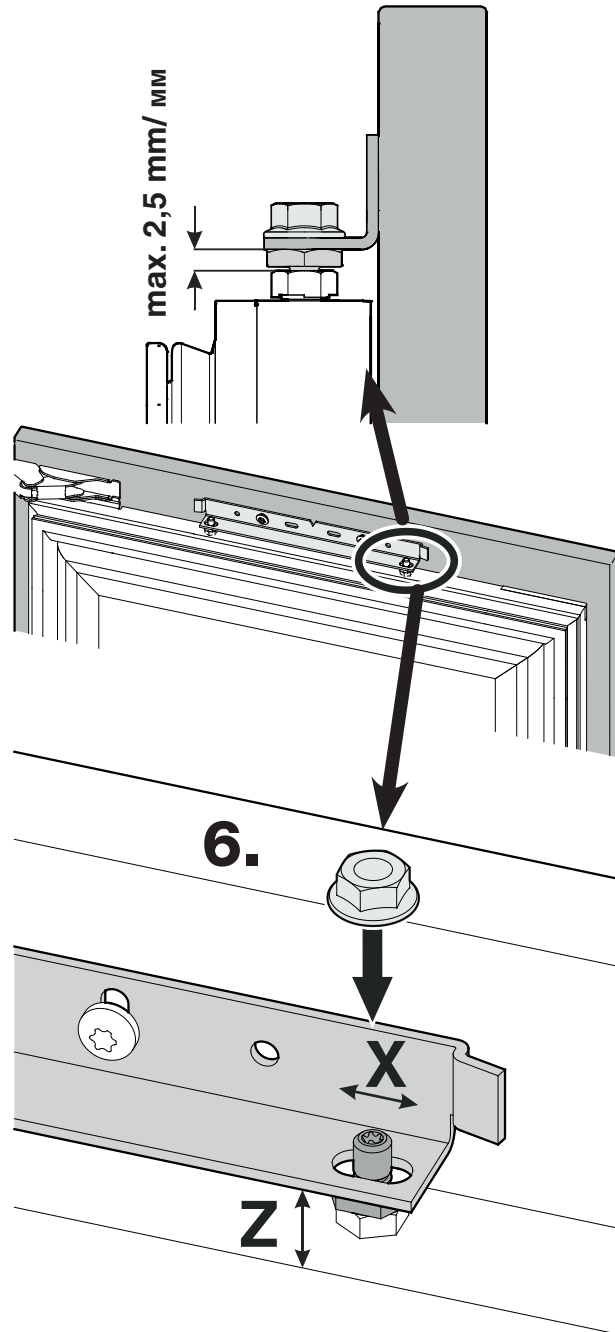
Panel Dimension for aluminium profil frames with thickness X (accessories)

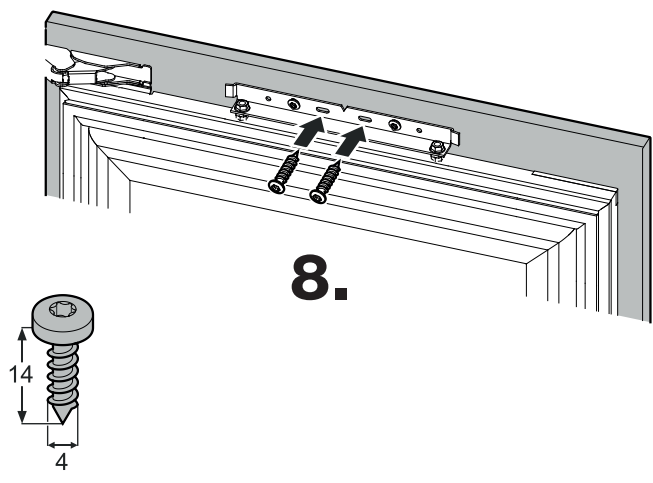
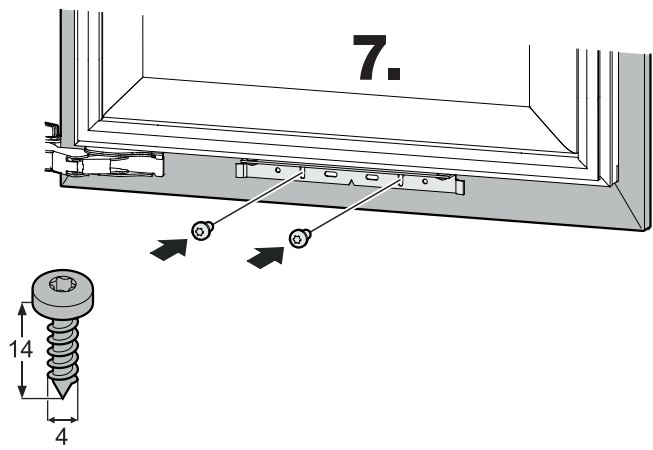


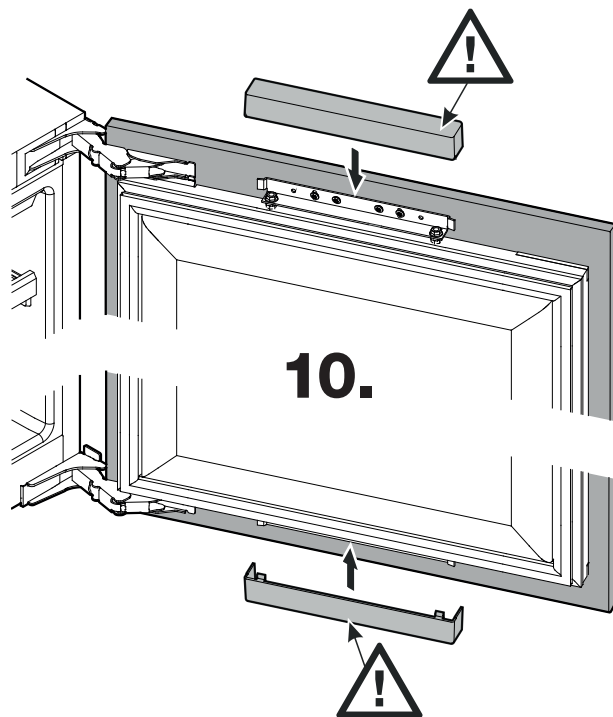
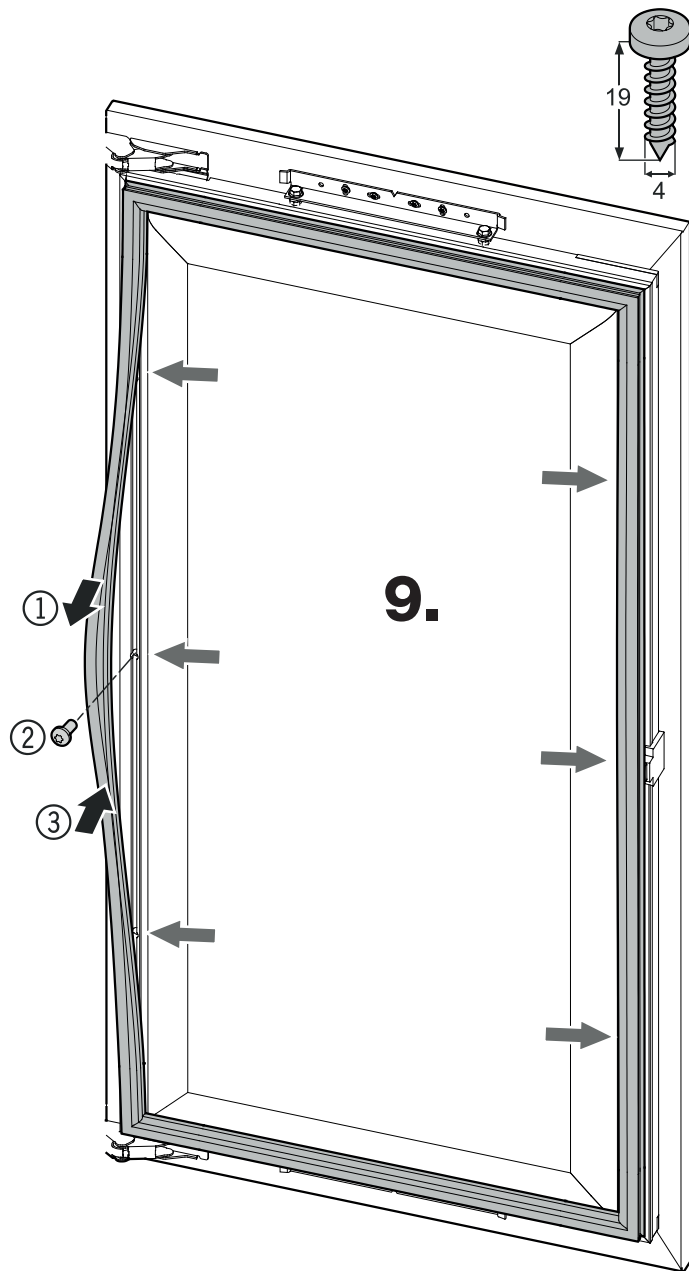
	A (mm / mm)	B (mm / mm)	C (mm / mm)	X (mm / mm)
EWTdf 16..	133	594	391	19 or 22
EWTdf 23..	152	921		
EWTdf 35..	133	1504		













Liebherr Hausgeräte Lienz GmbH * Dr.-Hans-Liebherr-Strasse 1 * A-9900 Lienz ** www.liebherr.com
