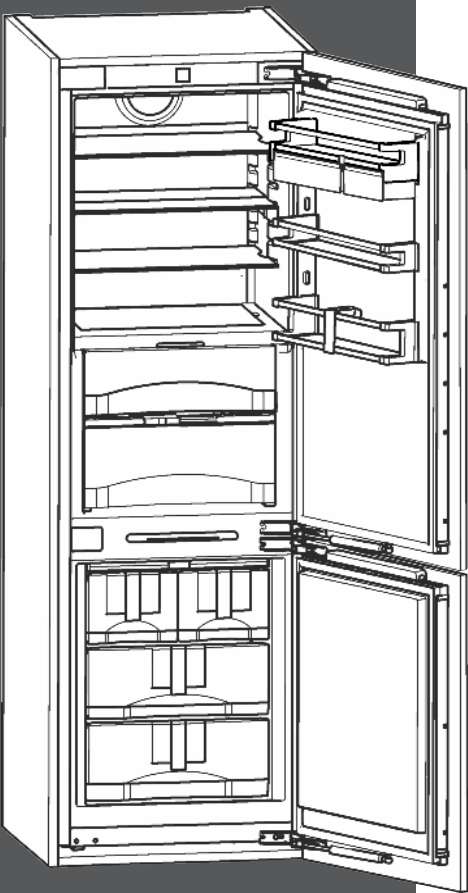


# LIEBHERR

## Use and Care Manual

Built-in combined fridge-freezer



HCB 1060  
20181105 7086622 - 02

# The appliance at a glance

## Contents

<b>1</b>	<b>The appliance at a glance.....</b>	<b>2</b>
1.1	Additional benefits.....	2
1.2	Overview of the appliance and accessories.....	3
1.3	Range of appliance use.....	3
1.4	Conformity.....	3
1.5	Product information.....	3
1.6	Energy saving.....	3
1.7	Arranging Food.....	4
<b>2</b>	<b>General safety information.....</b>	<b>4</b>
<b>3</b>	<b>Controls and displays.....</b>	<b>6</b>
3.1	Operating and control elements.....	6
3.2	Temperature display.....	6
<b>4</b>	<b>Start-up.....</b>	<b>6</b>
4.1	Switching on the appliance.....	6
<b>5</b>	<b>Operation.....</b>	<b>6</b>
5.1	Temperature display unit.....	6
5.2	Child-proof lock.....	7
5.3	Door alarm.....	7
5.4	Temperature alarm.....	7
5.5	Sabbath Mode.....	7
5.6	Fridge compartment.....	8
5.7	BioFresh compartment.....	11
5.8	Freezer compartment.....	13
<b>6</b>	<b>Maintenance.....</b>	<b>16</b>
6.1	Defrosting with NoFrost.....	16
6.2	Cleaning the appliance.....	17
6.3	Cleaning the IceMaker.....	17
6.4	Customer service.....	17
6.5	Appliance Information.....	18
<b>7</b>	<b>Troubleshooting.....</b>	<b>18</b>
<b>8</b>	<b>Putting appliance out of service.....</b>	<b>21</b>
8.1	Vacation Tips.....	21
8.2	Shut off the water intake.....	21
8.3	Switching off the appliance.....	22
8.4	Decommissioning .....	22
<b>9</b>	<b>Disposing of the appliance.....</b>	<b>22</b>
<b>10</b>	<b>Liebherr Warranty Plan.....</b>	<b>22</b>

Congratulations on the purchase of your new appliance. With this purchase, you have chosen all the advantages of the latest refrigeration technology, guaranteeing you a high-quality appliance with a long life span and high operating safety.

The equipment of your appliance gives you the highest level of day-to-day ease of operation.

Together we are making an active contribution to the conservation of our environment by purchasing this appliance which is manufactured in an environmentally friendly process with the use of recyclable materials.

We hope you enjoy your new appliance.

The manufacturer is constantly working to improve all models. Therefore please understand that we reserve the

right to make design, equipment and technical modifications.

To get to know all the benefits of your new appliance, please read the information contained in these instructions carefully.

The instructions apply to several models, so there may be differences. Sections which only apply to certain appliances are indicated with an asterisk (\*).

**Instructions for action are marked with a ►, the results of action are marked with a ▷.**

## 1 The appliance at a glance

### 1.1 Additional benefits

- CFC free
- Energy-optimized refrigerant circuit
- Energy-efficient insulation
- Low energy consumption
- User-friendly electronic controls
- Active function indicators
- Temperature can be controlled in the appliance independent of ambient conditions according to its climate rating - Temperature can be displayed as °C or °F
- The appliance defrosts automatically - no need to spend time defrosting
- Large refrigeration capacity
- Safety glass storage shelves
- Large freezing capacity
- Shelves can be removed to make space for large items.
- Freezer over-temperature alarm
- Quick-freeze feature for fresh food (SuperFrost)
- Frozen food temperature indicator
- Power failure/"frost-control" display
- All freezer drawers suitable for quick-freeze
- Freezer compartment light
- Bright LED interior light
- Door ajar alarm
- Handle grips on all extra-large drawers for easy transport
- Integrated transport grips on appliance housing
- Transport castors at back
- Easy to clean
- Door hinges can be reversed
- Door-on-door system for easy kitchen cabinet installation
- Soft stop mechanisms on both doors
- This appliance has a Sabbath Mode function, which makes it possible to use the appliance on religious holidays. Further information can be found on the Star-K website [www.star-k.org](http://www.star-k.org).

## 1.2 Overview of the appliance and accessories

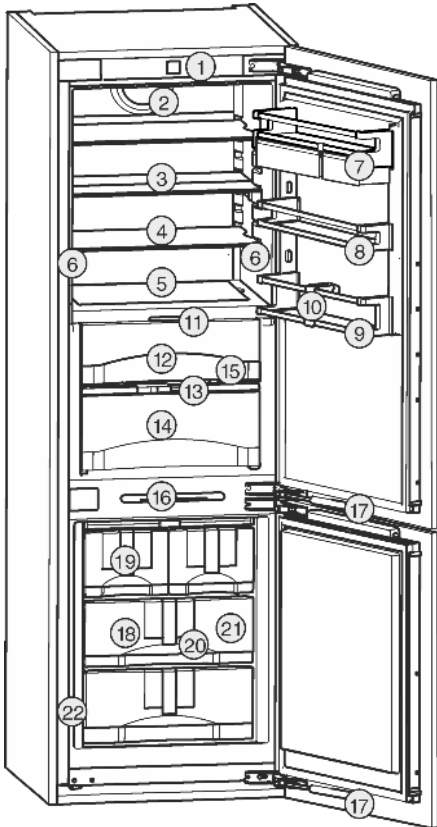


Fig. 1

- |                                     |                                    |
|-------------------------------------|------------------------------------|
| (1) Operating and control elements  | (12) DrySafe                       |
| (2) Fan                             | (13) Fruit & Vegetable-Safe cover  |
| (3) Shelf, can be split             | (14) Fruit & Vegetable-Safe        |
| (4) Shelf                           | (15) Drain hole                    |
| (5) Variable bottle rack            | (16) LED lighting, freezer section |
| (6) LED light column, both sides    | (17) Closing damper                |
| (7) VarioBox                        | (18) Freezer compartment           |
| (8) Storage rack for jars           | (19) IceMaker                      |
| (9) Bottle shelf                    | (20) InfoSystem                    |
| (10) Bottle rack                    | (21) Refrigerant accumulators      |
| (11) LED lighting, BioFresh section | (22) Rating plate                  |

## 1.3 Range of appliance use

### Normal use

The appliance is only suitable for cooling food for residential or other similar environments. This includes the following types of uses

- in staff kitchens, bed and breakfasts,
- by guests in country homes, hotels, motels and other types of accommodations,

- for catering and similar wholesale services. All other types of uses are not permitted.

### Foreseeable misuse

The following uses are specifically prohibited:

- Storage and cooling of medication, blood plasma, laboratory preparations or similar substances and products in accordance with the CMDCAS and FDA 510(k)
- Use outdoors.
- Use in moist areas exposed to the rain.
- Use in areas at risk of explosion

Incorrect appliance use can cause damage to the stored products or cause them to spoil.

### Climate ratings

The appliance is set to operate within specific ambient temperature limits according to its climate rating. The climate rating for your appliance is printed on the rating plate

### Note

- To guarantee trouble-free operation, comply with the indicated ambient temperatures.

Climate rating	for ambient temperatures from
SN	50 °F (10 °C) to 90 °F (32 °C)
N	61 °F (16 °C) to 90 °F (32 °C)
ST	61 °F (16 °C) to 101 °F (38 °C)
T	61 °F (16 °C) to 110 °F (43 °C)

## 1.4 Conformity

The refrigerant circuit has been tested for leaks. When installed, the appliance complies with the relevant safety regulations and the safety standards CAN/CSA-C22.2 No. 60335-1-11, 60335-2-24-06 and UL 60335-1, UL 60335-2-24.

BioFresh meets EN ISO 8561 requirements for a chill compartment.

## 1.5 Product information

Product information is enclosed with the device in accordance with (EU) Ordinance 2017/1369. The complete product information sheet is available on the Liebherr website in the download area.

## 1.6 Energy saving

- Always ensure good ventilation. Do not obstruct ventilation openings or grilles.
- Never block air slits in the fan.

## General safety information

- Do not install the appliance in direct sunlight or next to an oven, heater, or similar heat source.
- Energy consumption depends on installation conditions such as the ambient temperature (see 1.3) . If the ambient temperature differs from the standard temperature of 25 °C, energy consumption can change.
- Avoid opening the appliance door for any longer than necessary
- The lower the temperature is set the higher the energy consumption.
- Store food logically (see 1) .
- All food stored in the appliance should be well wrapped and covered. This prevents frost buildup.
- Only take food out for as long as necessary so that it does not get too warm.
- Insertion of warm foods: first let the food cool down to room temperature.
- Defrost frozen food in the fridge
- If you intend to be away for an extended period, use the vacation feature (see 5.6.4) .
- This appliance can be operated by children as well as by persons with reduced physical, sensory or mental capabilities or lack of experience and knowledge if they are supervised or have been instructed in the safe use of the appliance and understand the associated risks. Children must not play with the appliance. Cleaning and user maintenance must not be performed by children unless they are supervised. Children between the ages of 3 and 8 may load and unload the appliance. Children under the age of 3 must be kept away from the appliance if they are not constantly supervised.
- When disconnecting the appliance from the outlet, always take hold of the plug. Do not pull on the cable.
- Disconnect the power plug or switch off the power if a fault occurs.
- Do not damage the mains power line. Do not operate the appliance from a defective mains power line.
- Repairs, work on the appliance and replacement of the mains cable should only be carried out by the customer service department or other specifically trained specialist engineers.
- Only install, connect and dispose of the appliance in accordance with the instructions.
- Only operate the appliance after it has been installed.
- Please keep the instructions and pass them on to any future owner.
- All repairs to or work on the IceMaker must only be carried out by the customer service department or other specialist engineers trained to do this.
- The manufacturer is not liable for damage arising from incorrect connection to the water supply.
- Special-purpose lamps inside the appliance are intended to illuminate its interior compartments and are unsuitable for room illumination.

### 1.7 Arranging Food

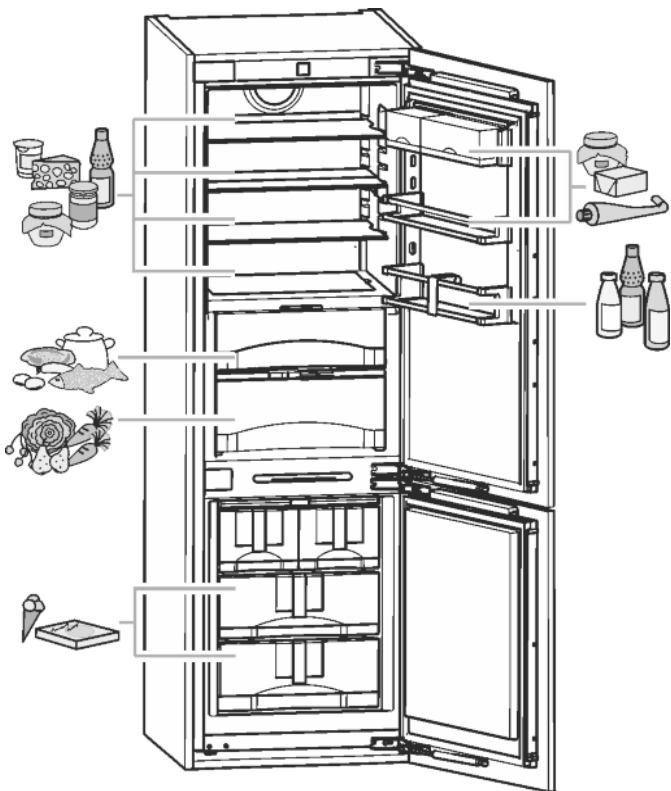


Fig. 2

## 2 General safety information

Read and follow these instructions. They contain safety advice which is important for safe and problem-free installation and operation. Always read and follow the safety advice.



### Dangers for the user:

- Risk of fire:**
- The refrigerant contained within the appliance, R 600a, is environmentally friendly, but flammable. Leaking refrigerant can ignite.
    - Do not damage the pipes of the refrigerant circuit.
    - Do not handle naked flames or ignition sources inside the appliance.

## General safety information

- Do not use electrical devices inside the appliance (e.g. steam cleaners, heaters, ice cream makers, etc.).
- If refrigerant leaks: Remove naked flames or ignition sources located near the area of the leak. Air the room well. Contact the customer service department.
- Do not operate the appliance near explosive gases.
- Do not store or use gasoline or other flammable vapors and liquids in the vicinity of this appliance.
- Do not store explosive materials or spray cans with flammable propellants, such as e.g. butane, propane, pentane, etc. in the appliance. You can recognize such spray cans by the printed contents or a flame symbol. Any leaking gasses can be ignited by electrical components.
- Alcoholic beverages or other containers holding alcohol must always be tightly sealed for storage purposes. Any leaking alcohol can be ignited by electrical components
- This product contains chemicals known to the state of California to cause cancer or reproductive harm.
- This product can expose you to chemicals including Diisononyl Phthalate (DINP) which is known to the State of California to cause cancer. For more information go to [www.P65Warnings.ca.gov](http://www.P65Warnings.ca.gov).
- This product can expose you to chemicals including Di-isodecyl Phthalate (DIDP) which is known to the State of California to cause birth defects or other reproductive harm. For more information go to [www.P65Warnings.ca.gov](http://www.P65Warnings.ca.gov).

### Symbols on the device:

	The symbol can be on the compressor. It refers to the oil in the compressor and refers to the following danger: Can be lethal if swallowed or inhaled. This notice only applies for recycling. There is no danger during normal operation.
	This label or a similar one can be located on the rear of the appliance. It refers to the foamed-in panels in the door and/or the housing. This notice only applies for recycling. Do not remove the label.

### Tipover hazard:

- Do not stand or climb on the base, drawers, doors, etc. This applies in particular to children.

### Risk of food poisoning:

- Do not consume food that has passed its best before date.

### Danger of frostbite, feelings of numbness and pain:

- Avoid continued skin contact with the cold surfaces or chilled/frozen food or adopt protective measures, e. g. use gloves. Do not consume ice cream (especially sherbets) and ice cubes immediately when they are too cold.

### Risk of injury and damage:




- Hot steam may lead to injuries. Do not use any electrical heating or steam cleaning equipment, naked flames or defrosting sprays for defrosting
- Do not remove ice with sharp objects

### Risk of crushing:

- Do not hold onto the hinge when opening and closing the door. Fingers may get caught.

### California Proposition 65

### Follow the specific instructions in the other sections:

	DANGER	indicates a hazardous situation, which if not avoided, will result in death or serious injury.
	WARNING	indicates a hazardous situation, which if not avoided, could result in death or serious injury.
	CAUTION	indicates a hazardous situation, which if not avoided, will result in minor or moderate injury.
	NOTICE	indicates a hazardous situation, which if not avoided, could result in damage to property.
	Note	indicates useful advice and tips.

# Controls and displays

## 3 Controls and displays

### 3.1 Operating and control elements

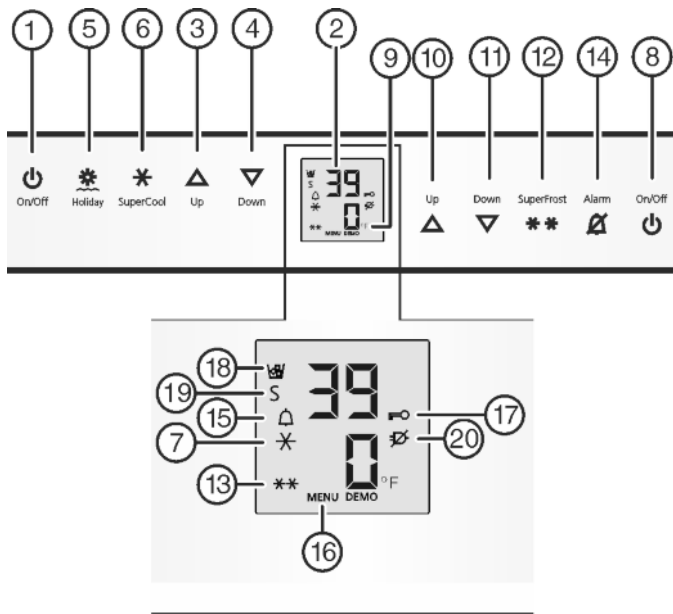


Fig. 3

- |   |                                      |
|---|--------------------------------------|
| (1) Fridge compartment On/Off button        | (11) Freezer compartment Down button |
| (2) Fridge compartment temperature display  | (12) SuperFrost button               |
| (3) Fridge compartment Up                   | (13) SuperFrost symbol               |
| (4) Fridge compartment Down set button      | (14) Alarm button                    |
| (5) Holiday button                          | (15) Alarm symbol                    |
| (6) SuperCool button                        | (16) Menu symbol                     |
| (7) Symbol SuperCool                        | (17) Child safety symbol             |
| (8) Freezer compartment On/Off button       | (18) IceMaker symbol                 |
| (9) Freezer compartment temperature display | (19) Sabbath mode symbol             |
| (10) Freezer compartment Up set button      | (20) Symbol Power failure            |

### 3.2 Temperature display

The following is displayed in normal operation:

- the highest freezer temperature
- the average cooling temperature

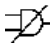
The freezer compartment temperature display flashes:

- the temperature setting has been changed
- once switched on the temperature is not cold enough
- the temperature has risen by several degrees

Flashing dashes appear on the display:

- the freezer temperature is above 32 °F (0 °C).

The following displays indicate malfunction. Possible causes and corrective actions: (see 7) .

- F0 to F9
- FE
- The power failure symbol  flashes.

## 4 Start-up

### 4.1 Switching on the appliance

#### Note

The manufacturer recommends:

- ▶ Store frozen produce at 0 °F (-18 °C) or colder.

Switch on the appliance approx. 2 hours before loading for the first time.

#### 4.1.1 Switching on the entire appliance at the freezer compartment

- ▶ Open the door.
- ▶ Press On/Off button, freezer compartment Fig. 3 (8).
- ▷ The fridge compartment temperature display shows the current temperature in the interior.
- ▷ The freezer compartment temperature display and the Alarm symbol will flash until the temperature is cold enough. If the temperature is greater than 32 °F (0 °C), flashing dashes will appear; if the temperature is lower than this, the current temperature will flash on the display.
- ▷ Whenever “DEMO” appears on the display, the appliance is running in demonstration mode. Contact the customer service department.

#### 4.1.2 Switching on fridge compartment and BioFresh compartment.

#### Note

Before going on vacation or other prolonged periods of non-use

- ▶ You can switch the refrigerator compartment on/off separately from the freezer section.

- ▶ Open the door.

- ▶ Press Fridge compartment On/Off button Fig. 3 (1).

- ▷ Fridge and BioFresh compartment are on: Fridge temperature display Fig. 3 (2) is on. When the refrigerator compartment door opens the interior light comes on.

## 5 Operation

### 5.1 Temperature display unit

The temperature display can be changed from °F to °C.

#### 5.1.1 To change the unit

- ▶ Activate setting mode: Press SuperFrost button Fig. 3 (12) for about 5 seconds.

- ▷ 5 is displayed in the temperature display.
- ▷ The Menu symbol *Fig. 3 (16)* lights up.
- ▶ Using Freezer compartment Up button *Fig. 3 (10)*/ Freezer compartment Down button *Fig. 3 (11)* select °.
- ▶ To confirm: Briefly press SuperFrost button *Fig. 3 (12)*.
- ▶ Using Freezer compartment Up button *Fig. 3 (10)*/ Freezer compartment Down button *Fig. 3 (11)* select °F or °C.
- ▶ To confirm: Briefly press SuperFrost button *Fig. 3 (12)*.
- ▶ To exit setting mode: Press Freezer compartment On/Off button *Fig. 3 (8)*.



-or-

- ▶ Wait 5 minutes.
- ▷ The temperature is again displayed in the temperature display.

## 5.2 Child-proof lock

You can use the child-proof lock to lock the buttons. This means that children cannot accidentally switch off the appliance when playing.



### 5.2.1 Switching on the child-proof lock

- ▶ Activate setting mode: press and hold the SuperFrost button *Fig. 3 (12)* for approximately 5 s.
- ▷ 5 is shown on the display.
- ▷ The Menu symbol *Fig. 3 (16)* lights up.
- ▶ Using the Freezer compartment Up button *Fig. 3 (10)* or Freezer compartment Down button *Fig. 3 (11)*, select c.
- ▶ Press the SuperFrost button *Fig. 3 (12)* briefly to confirm.

When c| is shown on the display:



- ▶ To switch on the child-proof lock, press the SuperFrost button *Fig. 3 (12)* briefly.
- ▷ The Child safety symbol *Fig. 3 (17)* lights up. c flashes on the display.
- When c0 is shown on the display:
- ▶ To switch off the child-proof lock, press the SuperFrost button *Fig. 3 (12)* briefly.
- ▷ The Child safety symbol *Fig. 3 (17)* goes out. c flashes on the display.
- ▶ Deactivate setting mode: press the Freezer compartment On/Off button *Fig. 3 (8)*.

-or-

- ▶ Wait 5 min.
- ▷ The temperature is again displayed on the temperature display.

## 5.3 Door alarm

For the fridge/Biofresh compartment and freezer compartment

If the door is open for longer than 180 seconds, the acoustic warning sounds.

The acoustic warning stops automatically when the door is closed



### 5.3.1 Switching off the door alarm

The acoustic warning can be switched off when the door is open. The acoustic warning remains switched off as long as the door is open. When the door is closed, the alarm function is active again.

- ▶ Press Alarm button *Fig. 3 (14)*.
- ▷ The door alarm stops.

## 5.4 Temperature alarm

If the freezer temperature is not cold enough, the audible warning sounds.

At the same time, the Alarm symbol *Fig. 3 (15)* will flash.



The cause of a temperature being too high may be:

- Hot fresh food was placed in the appliance.
- When sorting and removing food from the appliance, too much warm ambient air got in.
- Prolonged power outage
- The appliance is faulty.

The audible warning automatically ceases, the Alarm symbol *Fig. 3 (15)* goes out, and the temperature display stops flashing when the temperature is cold enough again.

If the alarm status remains: (see 7) .

### Note

If the temperature is not cold enough, food may spoil.

- ▶ Check the quality of the food. Do not consume spoiled food.

### 5.4.1 Switching off the temperature alarm

The acoustic warning can be switched off. When the temperature is cold enough again, the alarm function is active again.

- ▶ Press Alarm button *Fig. 3 (14)*.
- ▷ The acoustic warning ceases.

## 5.5 Sabbath Mode

This function meets the religious requirements on the Sabbath and Jewish festivals. When the appliance is in Sabbath mode some control electronic functions are switched off. After setting Sabbath mode you no longer need to worry about indicator lights, figures, symbols, displays, alarm messages and fans. The thawing cycle only operates at the specified time without taking refrigerator use into account. After a power cut the appliance automatically switches on again in Sabbath mode.

You can find a list of Star-K-certified appliances at [www.star-k.org/appliances](http://www.star-k.org/appliances) .



# Operation



## WARNING

Danger of food poisoning!

No record will be kept of a power failure during Sabbath Mode. Thus, during Sabbath mode, if a power failure occurs that you are not aware of, when the power comes back on, the unit will continue to be in Sabbath Mode but when Sabbath Mode is ended there will be no indication that a power failure occurred.

If a power failure occurs during Sabbath mode:

- ▶ Check the quality of the food. Do not consume spoiled food!

- All functions are blocked until Sabbath mode is switched off.
- If the unit is currently running in a mode such as Superfrost, Supercool or the Ventilation is enabled these functions will continue and finish their timed cycles independent of now being in Sabbath mode.
- The Ice Maker is disabled.
- No audible signals are emitted, and the temperature display does not indicate any warnings or settings (such as a temperature alarm or door alarm).
- Light does not operate.

## 5.5.1 Setting Sabbath mode

- ▶ To activate setting mode: Press and hold the SuperFrost button *Fig. 3 (12)* for approx. 5 s.

▷ 5 flashes on the display.

▷ The Menu symbol *Fig. 3 (16)* lights up.

- ▶ To access the Sabbath mode function: Briefly press the SuperFrost button *Fig. 3 (12)*.

When **51** is shown on the display:

- ▶ **To turn on** Sabbath mode, briefly press the SuperFrost button *Fig. 3 (12)*.

When **50** is shown on the display:

- ▶ **To turn off** Sabbath mode, briefly press the SuperFrost button *Fig. 3 (12)*.

- ▶ To deactivate setting mode: Press the Freezer compartment On/Off button *Fig. 3 (8)*.

-or-

- ▶ Wait 5 min.

▷ The Sabbath Mode symbol *Fig. 3 (19)* appears on the temperature display as long as Sabbath Mode is active.

▷ Sabbath mode switches off automatically after 120 hours if it is not manually switched off beforehand.

## 5.6 Fridge compartment

The natural circulation of air in the refrigerator compartment results in zones differing in temperature. It is coldest directly above the plate separating off the BioFresh zone and at the rear wall. It is warmest at the top front of the compartment and in the door.

## 5.6.1 Refrigerating food

### Note

- ▶ Do not load the door with more than 35 lbs (16 kg) of food.



## WARNING

Danger of fire

- ▶ Do not use electrical appliances inside the food storage compartments of the appliance, unless they are of the type recommended by the manufacturer.

### Note

Insufficient ventilation results in an increase in energy consumption and reduction of the refrigerating performance.

- ▶ Never block the air slits in the fan.

- ▶ Use recyclable plastic, metal, aluminum and glass containers and cling film to wrap foods.

- ▶ Always use closed containers for liquids and for food that may give off or be tainted by odor or flavor transfer or cover them.

- ▶ Use the front floor area of the fridge compartment only to set down food to be refrigerated temporarily, e.g., when rearranging or sorting the contents of the fridge. Do not leave the food there, as it may be pushed back or tipped over when the door is closed.

- ▶ Do not store food too close together to enable sufficient air circulation.

## 5.6.2 Setting the temperature

The temperature depends on the following factors:

- the number of times the door is opened
- the room temperature of the installation location
- the type, temperature and amount of food.

The temperature can be set from 48 °F (9 °C) to 37 °F (3 °C). Recommended temperatures are 39 °F (5 °C).

### Note

If a temperature below 37 °F (3 °C) is required:

- ▶ Set the cooling temperature to 37 °F (3 °C).

- ▶ Set the bio-fresh temperature to a value between **64** (slightly colder) and **61** (coldest). (see 5.7)

- ▶ To set a higher temperature: press the Fridge compartment Up button *Fig. 3 (3)*.

- ▶ To set a lower temperature: press the Fridge compartment Down button *Fig. 3 (4)*.

▷ When pressed once the previously set fridge compartment temperature display value will flash.

- ▶ To change the temperature in 1 °F (1 °C) increments: briefly press the button.

- ▶ To change the temperature continuously: hold the button down.

▷ The value is displayed flashing during the setting operation.



- ▷ The actual temperature is displayed about 5 seconds after the last press of a button. The temperature slowly adjusts to the new value.

## 5.6.3 SuperCool

With SuperCool you switch to the highest cooling performance to reach lower cooling temperatures. Use SuperCool to rapidly cool large quantities of food.



If SuperCool is on, the fan\* may come on. The appliance works at maximum refrigerating power. The sound of the refrigeration unit may be temporarily louder as a result. SuperCool will use more energy than normal operation.

### Cooling with SuperCool

- ▶ Briefly press the SuperCool button *Fig. 3 (6)*.
- ▷ The SuperCool symbol *Fig. 3 (7)* lights up in the display.
- ▷ The cooling temperature drops to the coldest value. SuperCool is switched on.
- ▷ SuperCool switches itself off automatically after 12 hours. The appliance continues to work in normal energy-saving mode.

### To prematurely switch off SuperCool

- ▶ Briefly press the SuperCool button *Fig. 3 (6)*.
- ▷ The SuperCool symbol *Fig. 3 (7)* goes out in the display.
- ▷ SuperCool is switched off.

## 5.6.4 Holiday setting

The holiday setting saves energy and stops smells building up when the refrigerator section door remains closed for a long time.



The freezer section continues to operate when the appliance is set to the holiday setting.

### Switching the holiday setting on

- ▶ Remove all food from the refrigerator and BioFresh compartment because it will go off otherwise.
- ▶ Press the Holiday button *Fig. 3 (5)* for 3 seconds.



- ▷ The holiday setting is switched on. Ho appears on the display.

### Switching the holiday setting off

- ▶ Press the Holiday button *Fig. 3 (5)*.
- ▷ The holiday setting is switched off.
- ▷ The displays shows the current cooling temperature.

## 5.6.5 Shelves

### Shifting or removing shelves



#### CAUTION

Danger of lacerations!

The storage shelf can shatter if dropped or mishandled. You could cut yourself on the pieces of broken glass.

- ▶ Only remove storage shelves when there is nothing on them.

Extension stops secure the shelves against being accidentally pulled out

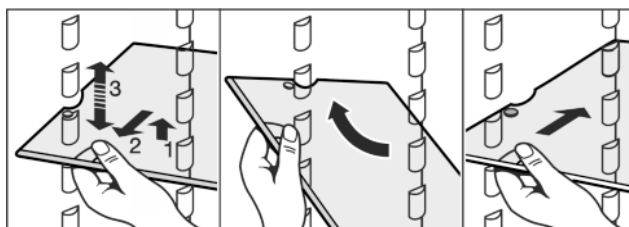
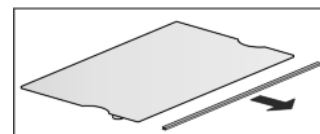


Fig. 4

- ▶ Lift up the shelf and pull it slightly forward.
- ▶ Adjust the shelf height by shifting the spacers in the runners.
- ▶ To remove the shelf completely, set it at an angle and pull it out towards you.
- ▶ Push the shelf back in at the desired height. The removal stops must point downwards and be positioned behind the front contact surface.

### To dismantle shelves

- ▶ The shelves can be dismantled for cleaning.



## 5.6.6 Using the split shelf



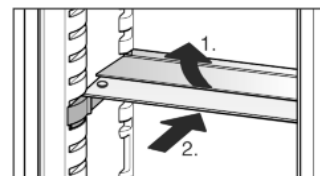
#### CAUTION

Danger of lacerations!

The storage shelf can shatter if dropped or mishandled. You could cut yourself on the pieces of broken glass.

- ▶ Only remove storage shelves when there is nothing on them.

- ▶ Push the split shelf underneath as in the illustration.



# Operation

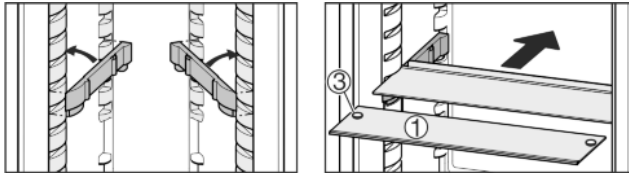


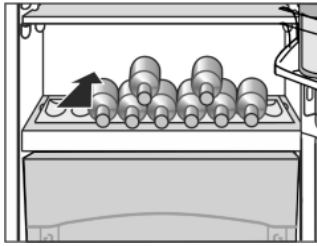
Fig. 5

- ▶ The glass plate (1) with the pull out stops must be at the front so that the stops (3) point downward.

## 5.6.7 Use variable bottle support

At the base of the fridge compartment, either the integrated bottle shelf or the glass shelf can be used:

- ▶ To use the bottle shelf: Store the glass shelf under the bottle shelf to save space.
- ▶ Place bottles with the base pointing backwards facing the rear wall. If the bottles project beyond the front of the bottle shelf:
- ▶ Set the bottom storage rack in the door one position higher.



## 5.6.8 Door racks

### Note

- ▶ Do not load the door with more than 35 lbs (16 kg) of food.

### Repositioning the door racks

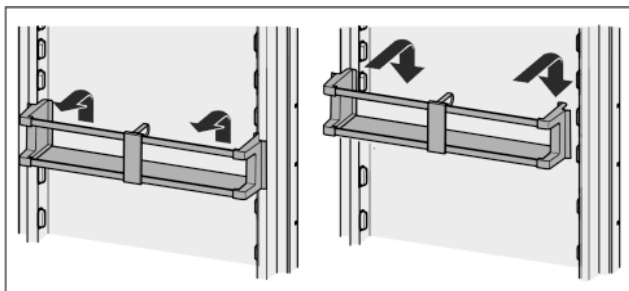


Fig. 6

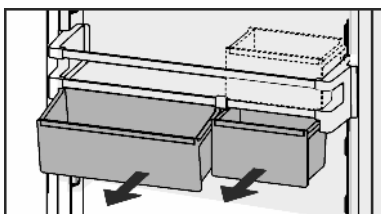
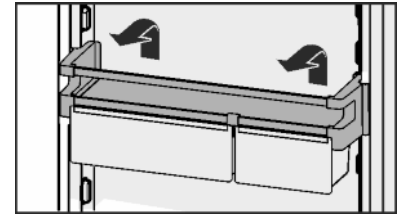


Fig. 7

You can use just one or both boxes. To store oversized bottles, just suspend one box over the bottle rack. Store the other box in the holder.

- ▶ To swap containers: pull up to remove and reinsert in the desired position.



### To dismantle door racks

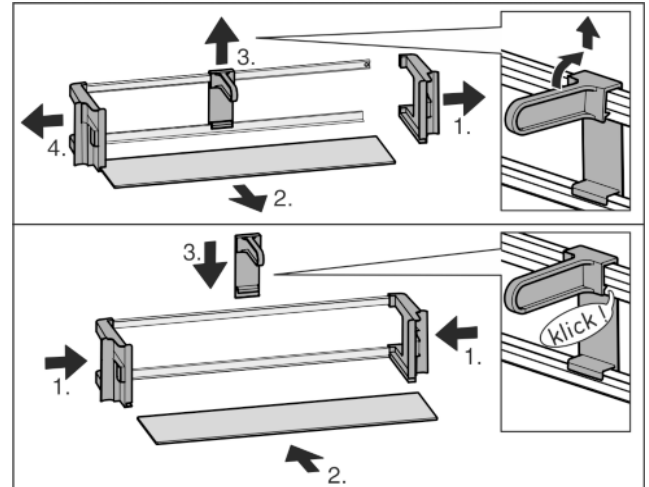


Fig. 8

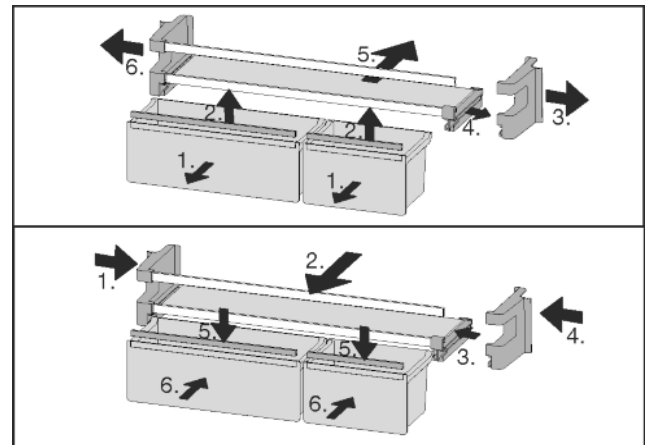
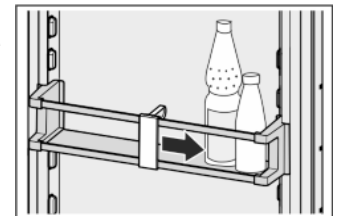


Fig. 9

- ▶ The door racks can be dismantled for cleaning.

## 5.6.9 Use the bottle holder

- ▶ To prevent bottles from tipping over, move the bottle holder.



## 5.6.10 Butter dish

### Opening/closing the butter dish

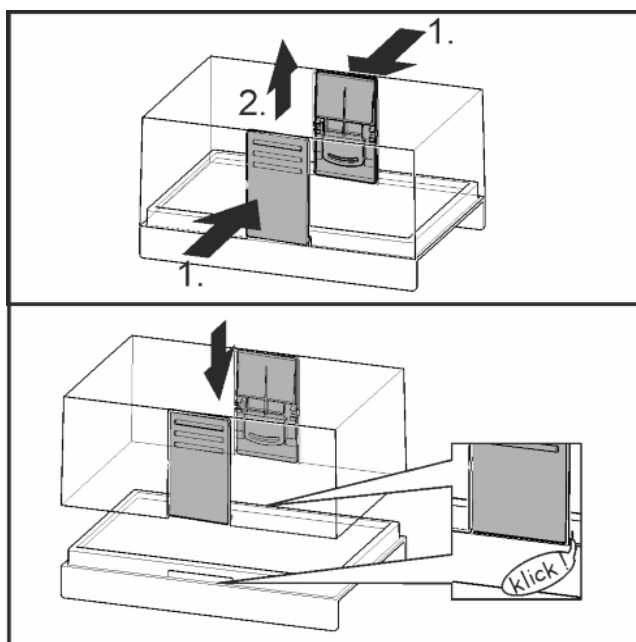


Fig. 10

## Dismantling the butter dish

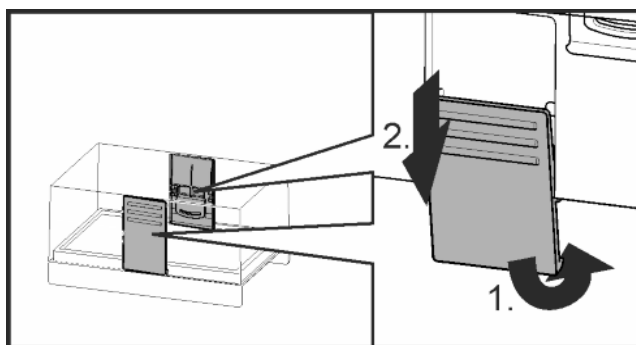
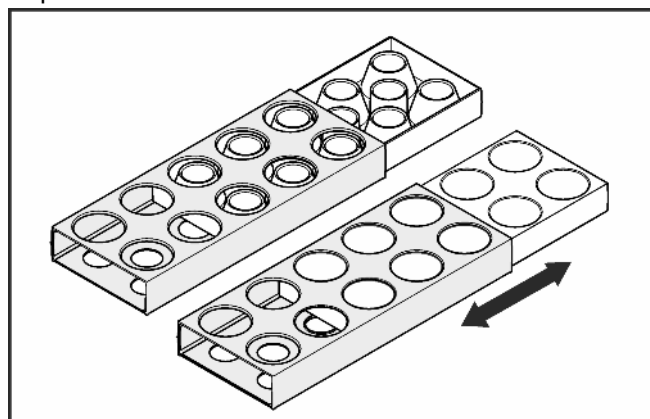


Fig. 11

- You can dismantle the butter dish for cleaning.

## 5.6.11 Egg tray

You can take out and rotate the egg tray. You can use the two parts of the egg tray to mark different use-by dates, for example.



- Use the top part to store e.g. chickens' eggs.
- Use the bottom part to store quails' eggs.

## 5.7 BioFresh compartment

The BioFresh compartment allows you to store certain fresh foods for a longer period of time in comparison to conventional refrigeration systems.

Food with a “use by” date must still be consumed by the date indicated on the package.

If temperatures drop below 32 °F (0 °C), foods can freeze solid.

The taste, freshness, and nutritional value (vitamin B and C groups) of the food are preserved to a large extent. Fruit and vegetables spoil less quickly and lose less water, and food remains fresher and more wholesome.

### 5.7.1 DrySafe

The DrySafe is suitable for storing dry or packaged food (such as dairy products, meat, fish, and sausage). The DrySafe provides a relatively dry storage environment.

### 5.7.2 Fruit & Vegetable-Safe

The humidity level in the Fruit & Vegetable-Safe depends on the moisture content of the food inside and on how often the compartment is opened. You can adjust the humidity yourself.

With the high humidity setting, the Fruit & Vegetable-Safe is suitable for storing loose-leaf lettuce, vegetables, and fruit with a high moisture content. When the drawer is full, this creates a cool, fresh environment.

### 5.7.3 Setting the humidity in the Fruit & Vegetable-Safe

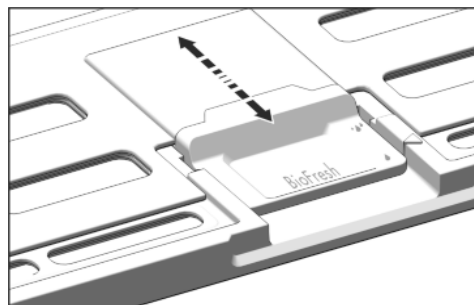




Fig. 12

The humidity in the Fruit & Vegetable-Safe can be set variably.

-  Low humidity: Set the slide control to the rear.
  - ▷ The slits in the cover are partially or completely open. The humidity in the Fruit & Vegetable-Safe is reduced.
-  High humidity: Pull the slide control to the front.
  - ▷ The slits in the cover are partially or completely closed. The humidity in the Fruit & Vegetable-Safe is increased.

# Operation

## 5.7.4 Storing food

### Note

- ▶ Do not store vegetables that do not support cold temperatures (such as cucumbers, eggplant, tomatoes, zucchini, and all cold-sensitive exotic fruits) in the BioFresh compartment.

The fresher the product and the better the quality, the longer it can be stored.

- ▶ When shopping, make sure the food you purchase is fresh.
- ▶ To prevent spoilage due to the transfer of bacteria: Store unpackaged animal products and plant-based products in separate compartments. This also applies for different types of meat.  
If you must store food together to save space:
  - ▶ Keep the food packaged.
  - ▶ Storing very moist food: First allow it to drain. If there is too much moisture in the compartment:
    - ▶ Select the low humidity setting.
- or-
- ▶ Remove the moisture with a cloth.

## 5.7.5 Storage times

Guidelines for storage at low humidity for ... 32 °F (0 °C)			
Butter	up to	90	days
Hard cheese	up to	110	days
Milk	up to	12	days
Sausage, cold cuts	up to	9	days
Poultry	up to	6	days
Pork	up to	7	days
Beef	up to	7	days
Game	up to	7	days

### Note

- ▶ Note that higher-protein foods spoil more quickly. This means that shellfish and crustaceans spoil more quickly than fish, and fish spoils more quickly than meat.

Guidelines for storage at high humidity for ... 32 °F (0 °C)			
Vegetables, lettuce			
Artichokes	up to	14	days
Celery	up to	28	days
Cauliflower	up to	21	days
Broccoli	up to	13	days
Endives	up to	27	days
Mâche	up to	19	days

### Guidelines for storage at high humidity for ... 32 °F (0 °C)

Peas	up to	14	days
Kale	up to	14	days
Carrots	up to	80	days
Garlic	up to	160	days
Cabbage turnip	up to	55	days
Iceberg lettuce	up to	13	days
Herbs	up to	13	days
Leeks	up to	29	days
Mushrooms	up to	7	days
Radishes	up to	10	days
Brussels sprouts	up to	20	days
Asparagus	up to	18	days
Spinach	up to	13	days
Savoy cabbage	up to	20	days

### Fruit

Apricots	up to	13	days
Apples	up to	80	days
Pears	up to	55	days
Blackberries	up to	3	days
Dates	up to	180	days
Strawberries	up to	7	days
Figs	up to	7	days
Blueberries	up to	9	days
Raspberries	up to	3	days
Red currants	up to	7	days
Cherries, sweet	up to	14	days
Kiwi	up to	80	days
Peaches	up to	13	days
Plums	up to	20	days
Cranberries	up to	60	days
Rhubarb	up to	13	days
Gooseberries	up to	13	days
Grapes	up to	29	days

## 5.7.6 Setting the temperature in the BioFresh compartment

Recommended fridge compartment settings: 41 °F (5 °C). The BioFresh temperature is controlled automatically and is between 32 °F (0 °C) and 38 °F (3 °C).

You can adjust the temperature slightly higher or lower. The temperature can be adjusted from **b1** (coldest) to **b9** (warmest). The default setting is **b5**. If you select a setting between **b1** and **b4** the temperature may fall below 32 °F (0 °C), causing food to become slightly frozen.

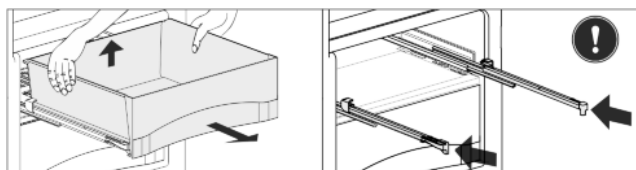
- ▶ To activate setting mode: Press and hold the SuperFrost button *Fig. 3 (12)* for approx. 5 s.
- ▷ The Menu symbol *Fig. 3 (16)* lights up.
- ▷ The temperature display indicates: **5**
- ▶ Keep pressing the Freezer compartment Up button *Fig. 3 (10)* until **b** flashes on the display.
- ▶ To confirm: Briefly press the SuperFrost button.
- ▶ To set a higher temperature: Press the Freezer compartment Up button *Fig. 3 (10)*.
- ▶ To set a lower temperature: Press the Freezer compartment Down button *Fig. 3 (11)*.
- ▶ To confirm: Press the SuperFrost button.
- ▷ The temperature slowly adjusts to the new setting.
- ▶ To cancel setting mode: Press the Freezer compartment On/Off button *Fig. 3 (8)*.



**-or-**  
▶ Wait 5 mins.

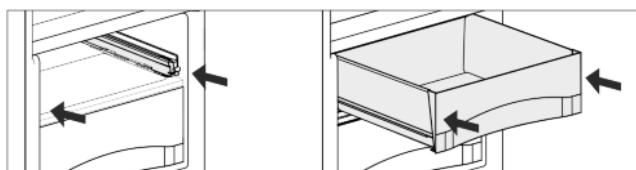
- ▷ The temperature is again displayed on the temperature display.

## 5.7.7 Drawers with a cushioning mechanism



*Fig. 13*

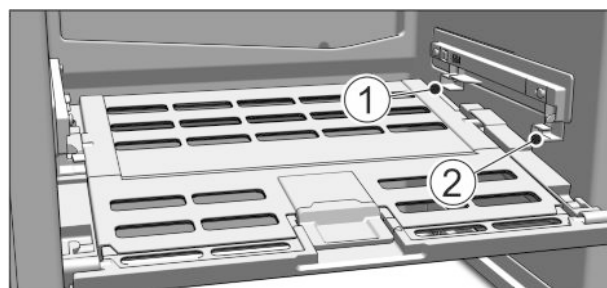
- ▶ Pull the drawer out, lift the back, and pull forward to remove.
- ▶ Slide the rails back in!



*Fig. 14*

- ▶ Slide the rails in.
- ▶ Position the drawer and slide it all the way in until you hear it snap into place.

## 5.7.8 Fruit & Vegetable-Safe cover

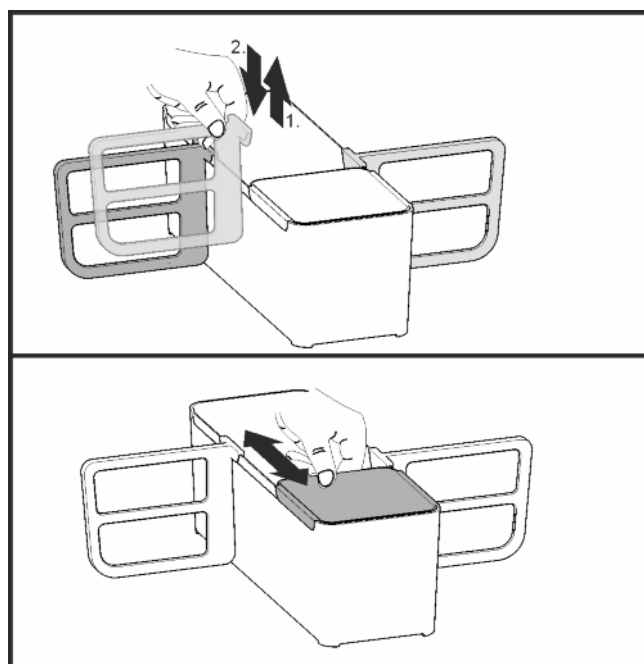


*Fig. 15*

- ▶ Removing the Fruit & Vegetable-Safe cover: After removing the drawers, carefully pull the cover forward and down to remove.
- ▶ Inserting the Fruit & Vegetable-Safe cover: Insert the guide pieces into the rear retainer *Fig. 15 (1)* from below, then snap the plate into the retainer *Fig. 15 (2)* in the front.

## 5.7.9 Using the FlexSystem

The FlexSystem helps you store and organize your food in a clear and flexible way. It lets you clearly divide your food into fruit, vegetables or by use-by dates, for example.



*Fig. 16*

- ▶ You can dismantle the FlexSystem for cleaning.

## 5.8 Freezer compartment

You can store frozen food, make ice cubes and freeze fresh food in the freezer compartment.

### 5.8.1 Freezing food

Each drawer can hold max. 55.12 lbs (25 kg) of frozen food.

# Operation

Each plate can hold 77.16 lbs (35 kg) of frozen food.

After the door is closed, a vacuum is created. After closing the door, wait about 1 minute, then the door is easier to open.



## WARNING

Danger of fire

- ▶ Do not use electrical appliances inside the food storage compartments of the appliance, unless they are of the type recommended by the manufacturer.



## CAUTION

There is a risk of injury from pieces of broken glass.

Bottles and cans containing drinks can split or crack when frozen. This applies in particular to carbonated drinks.

- ▶ Do not freeze bottles and cans containing drinks.

So that the food is rapidly frozen through to the core, do not exceed the following quantities per pack:

- fruit, vegetables up to 2.2 lb (1 kg)
- meat up to 5.51 lbs (2.5 kg)
- ▶ Pack the food in portions in freezer bags, reusable plastic, metal or aluminum containers.

### 5.8.2 Defrosting food

- in the fridge compartment
- in the microwave
- in the oven/fan oven
- at room temperature



## WARNING

Danger of food poisoning!

- ▶ Do not re-freeze defrosted food.
- ▶ Only take out the amount of food that is required. Use defrosted food as quickly as possible.

### 5.8.3 Setting the temperature in the freezer compartment

The appliance is set as standard for normal operation.

The temperature can be set between 7 °F (-14 °C) and -15 °F (-26 °C), 0 °F (-18 °C) is recommended.

- ▶ To set a higher temperature: press the Freezer compartment Up button *Fig. 3 (10)*.
- ▶ To set a lower temperature: press the Freezer compartment Down button *Fig. 3 (11)*.
- ▷ When the button is pressed for the first time, the previous value is indicated on the freezer compartment temperature display.
- ▶ To change the temperature in 1 °F (1 °C) increments: briefly press the button.

-or-

- ▶ To change the temperature continuously: hold the button down.

- ▷ The value is displayed flashing during the setting operation.
- ▷ The actual temperature is displayed about 5 seconds after the last press of a button. The temperature slowly adjusts to the new setting.

### 5.8.4 SuperFrost

With this function you can rapidly freeze fresh food through to the core. The appliance works with maximum refrigerating performance. The sound of the refrigeration unit may be temporarily louder as a result. \*\*

Depending on how much fresh food is to be frozen you must switch SuperFrost on in advance - for a small amount of food to be frozen, about 6 hours, for the maximum amount about 24 hours before putting the food in.

Package the food and place it inside across as wide an area as possible. Do not bring food that is to be frozen into contact with products that are already frozen to prevent these items from starting to thaw.

You do not need to switch SuperFrost on in the following cases:

- when placing frozen food in the freezer
- when freezing up to about 2 kg of fresh food a day

#### Freezing with SuperFrost

- ▶ Briefly press the SuperFrost button *Fig. 3 (12)* once.
- ▷ The SuperFrost symbol *Fig. 3 (13)* lights up.
- ▷ The freezing temperature drops and the appliance operates at its maximum refrigeration power rating. When a small amount of food is to be frozen.
  - ▶ Wait approx. 6 hrs.
  - ▶ Place packaged food in the upper drawers. When the maximum amount of food is to be frozen.
  - ▶ Wait approx. 24 hrs.
  - ▶ Remove upper drawers and place the food directly onto the upper shelves.
- ▷ SuperFrost is automatically switched off. At the earliest after 30 hours, at the latest after 65 hours, depending on the quantity placed inside the appliance.
- ▷ The SuperFrost symbol *Fig. 3 (13)* goes out when the freezing process is complete.
  - ▶ Place food inside the drawers and push them closed again.
  - ▷ The appliance returns to work in the energy-saving normal mode.

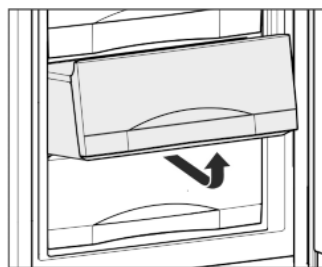
### 5.8.5 Drawers

#### Note

Insufficient ventilation results in an increase in energy consumption and reduction of the refrigerating performance.

For appliances with NoFrost:

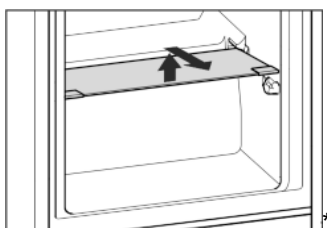
- ▶ Leave the bottom drawer in the appliance.
- ▶ Never block the air slits in the fan on the rear wall.



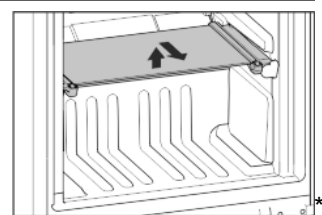
- ▶ To store frozen food directly on the shelves: pull the drawer forward and lift it out.

## 5.8.6 Shelves

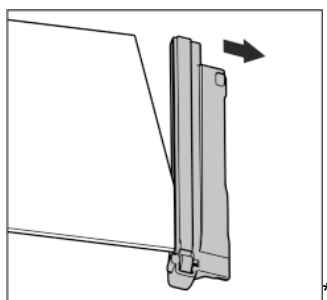
### Moving shelves



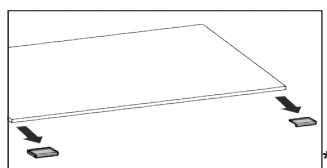
- ▶ To remove shelf: lift it at the front and pull out forward.
- ▶ To reinsert shelf: simply slide it in as far as it will go.



### Dismantling shelves

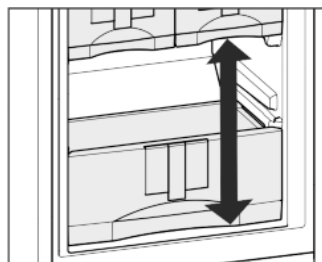


- ▶ The shelves can be dismantled for cleaning.



## 5.8.7 VarioSpace

In addition to the drawers, you can also take out the shelves. This gives you space for large food items such as poultry, meat, large joints of game and tall bakery items can be frozen and then presented whole.



Each drawer can hold max. 55.12 lbs (25 kg) of frozen food.

- ▶ Each plate can hold 77.16 lbs (35 kg) of frozen food.

## 5.8.8 Info system

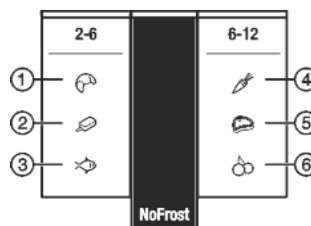


Fig. 17

- (1) Bread
- (2) Ice cream
- (3) Fish
- (4) Vegetables
- (5) Meat
- (6) Fruit

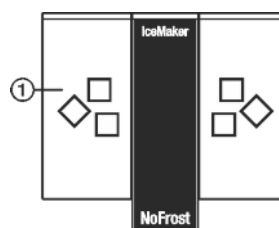


Fig. 18

- (1) Ice cubes

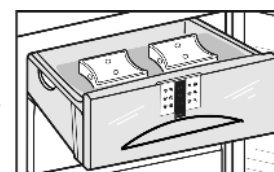
The numbers indicate the storage time in months for different types of frozen foods. The storage times given are guidelines.

## 5.8.9 Refrigerant accumulators

These refrigerant accumulators prevent the temperature from rising too fast when power failures occur.

### Using refrigerant accumulators

- ▶ Place the frozen refrigerant accumulators in the top front area of the freezer compartment on top of the freezer goods.



## 5.8.10 IceMaker

The IceMaker is in the top drawer of the freezer compartment.

Make sure that the following conditions are fulfilled:

- The appliance is level.
- The appliance is connected to the electricity supply.
- The freezer compartment is switched on.
- The minimum freezer temperature is 14 °F (-10 °C).
- The IceMaker is connected to the water supply.
- All air was bled from the waterline before starting the icemaker. The icemaker will only work if there is no air in the waterline.



# Maintenance

## Switching on the IceMaker

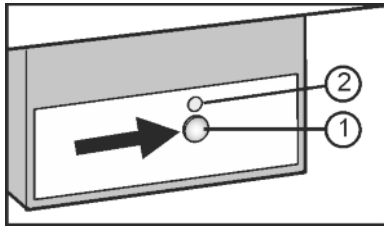


Fig. 19

- ▶ Pull out the drawer.
- ▶ Press On/Off button Fig. 19 (1) so that the LED Fig. 19 (2) lights up.
- ▶ Push in the drawer.
- ▷ The IceMaker symbol Fig. 3 (18) shines.

### Note

- ▶ The IceMaker only produces ice cubes when the drawer is completely closed.

## Producing ice cubes

The production capacity depends on the freezer temperature. The lower the temperature, the more ice cubes can be produced in a certain period.

The production capacity is 90- 100 ice cubes in 24 hours at a freezing temperature of 0 °F (-18 °C).

To have the maximum capacity of approx. 130 ice cubes in 24 hours, activate the SuperFrost Function. Be aware that this increases the energy consumption because the compressor will run constantly.

The ice cubes fall out of the IceMaker into the drawer. When the ice cubes reach a certain height in the drawer, no more ice cubes can be produced. The IceMaker will not fill the drawer to the top.

Evenly distribute the ice cubes in the drawer in order to increase the filling capacity.

If large quantities of ice cubes are required, the complete IceMaker drawer can be swapped with the neighboring drawer. When you close the drawer, the IceMaker automatically restarts production.

When the IceMaker is switched on for the first time, it may take up to 24 hours for the first ice cubes to be produced.

### Note

Particles may accumulate in the IceMaker or water line the first time the appliance is used or after an extended period out of service.

- ▶ Do not use or consume ice cubes that are produced within 24 hours of the first ice cube production.

## Setting the water supply time

The opening time of the valve on the IceMaker can be adjusted if, for example, the water pressure in the pipe is too low or too high.

The water supply time can be set in stages from **E1** (short supply time) to **E8** (long supply time). The default setting is **E3**.

- ▶ Activate setting mode: press and hold the SuperFrost button Fig. 3 (12) for approximately 5 s.

- ▷ **5** is shown on the display.
- ▷ The Menu symbol Fig. 3 (16) lights up.
- ▶ Using the Freezer compartment Up button Fig. 3 (10) or Freezer compartment Down button Fig. 3 (11), select **E**.
- ▶ To confirm: briefly press the SuperFrost button Fig. 3 (12).
- ▶ To increase the water supply time: press the Freezer compartment Up button Fig. 3 (10).
- ▶ To decrease the water supply time: press the Freezer compartment Down button Fig. 3 (11).
- ▶ To confirm: press the SuperFrost button Fig. 3 (12).
- ▶ Deactivate setting mode: press the Freezer compartment On/Off button Fig. 3 (8).



### -or-

- ▶ Wait 5 mins.
- ▷ The temperature is again displayed on the temperature display.

## Switching off the IceMaker

If ice cubes are not required, the IceMaker can be switched off independently of the freezer compartment.

When the IceMaker is switched off, the drawer of the IceMaker can also be used for freezing and storing food.

- ▶ Press the On/Off button for about 1 second until the LED goes out.
- ▷ The IceMaker symbol Fig. 3 (18) goes out.
- ▶ Clean the IceMaker.
- ▷ This ensures that no water or ice remains in the IceMaker.

# 6 Maintenance

## 6.1 Defrosting with NoFrost



### WARNING

Risk of injury and damage

- ▶ Do not use mechanical devices or other means to accelerate the defrosting process, other than those recommended by the manufacturer.
- ▶ Do not use any electrical heating or steam cleaning equipment, naked flames or defrosting sprays for defrosting.
- ▶ Do not remove ice with sharp objects.
- ▶ Do not damage the pipes of the refrigerant circuit.

The NoFrost system defrosts the appliance automatically.

### Fridge compartment:

The defrosted water is evaporated by the heat of the compressor.

- ▶ Clean the drain opening regularly so that the defrosted water can flow away (see 6.2) .

### Freezer compartment:

The moisture condenses on the evaporator and is periodically defrosted and evaporated.

- ▶ The appliance does not need to be defrosted manually.

## 6.2 Cleaning the appliance



### WARNING

Danger of electric shock.

- ▶ Unplug refrigerator or disconnect power.



### WARNING

Danger of fire

- ▶ Do not damage the refrigerant circuit.



### WARNING

Risk of injury or damage due to hot steam.

Hot steam can cause scalding/burns and damage to surfaces.

- ▶ Do not use steam cleaners.

### NOTICE

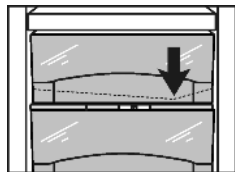
Incorrect cleaning damages the appliance.

- ▶ Do not use concentrated cleaning agents.
- ▶ Do not use steel wool or sponges that scour or scratch.
- ▶ Do not use caustic or abrasive cleaning materials or those containing sand, chloride, or acids.
- ▶ Do not use chemical solvents.
- ▶ Do not damage or remove the rating plate on the inside of the appliance. It is vital for the customer service department.
- ▶ Do not pull off, kink or damage any cables or other components.
- ▶ Do not let cleaning water get into the drain gutter, the ventilation grille and electrical parts.
- ▶ Use soft cleaning cloths and a multi-purpose cleaning agent with a neutral pH value.
- ▶ Only use food-compatible cleaning and care agents inside the appliance.

- ▶ **Empty the appliance.**
- ▶ **Disconnect the power plug.**



- ▶ Clean the **plastic surfaces, outside and inside**, by hand using lukewarm water and a little dish washing liquid.
- ▶ To clean the **drain opening**: Remove deposits with a thin instrument, e.g. a cotton bud.



- ▶ Most of the **equipment parts** can be dismantled for cleaning: see the respective chapter.
- ▶ Clean the **drawers** by hand using lukewarm water and a little dish washing liquid.
- ▶ Clean the **Fruit & Vegetable-Safe cover** by hand using lukewarm water and a little dish washing liquid.
- ▶ The **remaining fittings** are dishwasher suitable.

- ▶ Clean the **telescopic rails** with a damp cloth only. The grease in the tracks is for lubrication purposes and should not be removed.

### After cleaning:

- ▶ Wipe the appliance and accessories dry.
- ▶ Connect the appliance and switch it on again.
- ▶ Switch on SuperFrost (see 5.8.4) .  
When the temperature is sufficiently cold:
- ▶ put the food back in the appliance.

## 6.3 Cleaning the IceMaker

The IceMaker drawer must be emptied and pushed in.

- ▶ Activate setting mode: press and hold the SuperFrost button *Fig. 3 (12)* for approximately 5 s.
- ▷ 5 is shown on the display.
- ▷ The Menu symbol *Fig. 3 (16)* lights up.
- ▶ Using the Freezer compartment Up button *Fig. 3 (10)*/ Freezer compartment Down button *Fig. 3 (11)*, select I.
- ▶ To confirm: press the SuperFrost button *Fig. 3 (12)*.
- ▶ Using the Freezer compartment Up button *Fig. 3 (10)*/ Freezer compartment Down button *Fig. 3 (11)*, select I<sub>c</sub>.
- ▶ To confirm: press the SuperFrost button *Fig. 3 (12)*.
- ▷ The IceMaker moves into cleaning position and shuts off.
- ▶ Deactivate setting mode: press the Freezer compartment On/Off button *Fig. 3 (8)*.



-or-

- ▶ Wait 2 min.
- ▷ The temperature is again displayed on the temperature display.
- ▶ Take out the drawer.
- ▶ Clean the ice compartment and drawer with warm water. If necessary, use a mild dishwashing liquid. Then rinse.
- ▶ Slide the drawer back in.
- ▶ Leave the IceMaker switched off in this position.

-or-

### NOTICE

Residual dishwashing liquid in the ice tray and drawer. Nausea or irritation of the mucous membrane.

- ▶ Eliminate any residual dishwashing liquid: Throw away the first three batches of ice cubes.

- ▶ Switching on the IceMaker (see 5.8.10) .

## 6.4 Customer service

First check whether you can remedy the fault yourself (see 7) . If this is not the case, please contact a qualified service provider.

# Troubleshooting.



## WARNING

Risk of injury from repairs by non-professionals.

- ▶ Repairs and work on the appliance and the power supply cable not described in the Manual (see 6) should only be carried out by a qualified service provider.

- ▶ Read the appliance designation Fig. 20 (1), service no. Fig. 20 (2) and serial no. Fig. 20 (3) from the rating plate. The rating plate is located inside the appliance on the left-hand side.

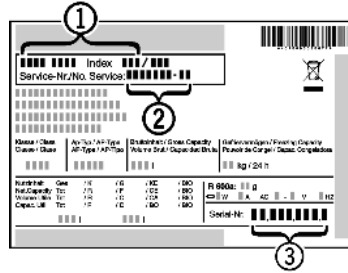


Fig. 20

- ▶ Notify a qualified service provider, specifying the fault, appliance designation Fig. 20 (1), service no. Fig. 20 (2) and serial Fig. 20 (3) no.
- ▷ This will help us to provide you with a faster and more accurate service.
- ▶ Keep the appliance closed until the Customer Service engineer arrives.
- ▷ The food will stay cool longer.

- ▶ Disconnect the power plug (do not pull on the power cord to do this) or switch off the fuse.

## 6.5 Appliance Information

Make a note of this information when the appliance is installed:

Type Designation: \_\_\_\_\_

Service Number: \_\_\_\_\_

Appliance / Serial Number: \_\_\_\_\_

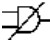
Date of purchase: \_\_\_\_\_

Where purchased: \_\_\_\_\_

## 7 Troubleshooting.

Your appliance is designed and manufactured for reliable operation and a long lifespan. If a malfunction nonetheless occurs during operation, please determine if the malfunction is due to an operating error. If a service call determines operator error, you will be charged for the costs incurred, even during the warranty period. You may be able to rectify the following problems yourself:

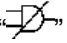


Defect	Cause	Remedy
<b>The appliance does not work.</b>	The appliance is not switched on.	▶ Switch on the appliance.
	The power plug is not properly inserted in the wall socket.	▶ Check the power plug.
	The fuse in the wall socket is not OK.	▶ Check the fuse.
	Power failure	▶ Keep the appliance closed. ▶ Protect the food: place dry ice on top of the food or use an alternate freezer, if the power failure persists for some time. ▶ Do not re-freeze defrosted food.
<b>The compressor runs for a long time.</b>	When less refrigeration is required, the speed-controlled compressor switches to a low speed. Although the running time is increased as a result, energy is saved.	▶ This is normal in energy-saving models.
	SuperFrost function is activated.	▶ The compressor runs long to rapidly freeze food. This is normal.
	SuperCool function is activated.	▶ The compressor runs long to rapidly cool food. This is normal.
<b>An LED at the lower rear of the appliance (near the compressor) flashes regularly</b>	There is a fault.	▶ Contact the customer service department (see 6) .

Defect	Cause	Remedy
every 5 seconds*.		
Noises are too loud.	The different speed levels of speed-controlled* compressors can cause them to generate various noises during operation.	▶ These noises are normal.
A gurgling sound	This sound comes from the refrigerant flowing in the refrigeration circuit.	▶ The sound is normal.
A faint clicking sound	The sound always occurs when the refrigeration unit (the motor) automatically switches on or off.	▶ The sound is normal.
A hum. It is briefly a little louder when the refrigeration unit (the motor) switches on.	The refrigeration increases automatically when the SuperFrost function is activated, fresh food has just been placed in the appliance or the door has been left open for a while.	▶ The sound is normal.
	The refrigeration increases automatically when the SuperCool function is activated, fresh food has just been placed in the appliance or the door has been left open for a while.	▶ The sound is normal.
	The ambient temperature is too high.	▶ Solution: (see 1.3)
A low hum	The sound occurs as a result of fan air flow.	▶ The sound is normal.
Vibration noise	The appliance is not standing firmly on the floor. As a result, objects and adjoining units are set into vibration by the running refrigeration unit.	▶ Check the installation and realign the appliance if necessary. ▶ Move bottles and containers apart.
Flow noise on the soft stop mechanism.	The sound is caused by the soft stop mechanism.	▶ The sound is normal.
The temperature display indicates: F0 to F9.	There is a fault.	▶ Contact the customer service department (see 6) .
The temperature display reads: FE	There is a fault.	▶ Contact the customer service department (see 6) .
The temperature display shows a flashing power failure symbol  . The warmest temperature reached during the power failure is displayed in the	The freezer temperature rose too high during the last hours or days due to power failure or power interruption. When the power interruption is over, the appliance will continue to operate at the last temperature setting.	▶ To delete the display of the warmest temperature: Press the Alarm button <i>Fig. 3 (14)</i> . ▶ Check the quality of the food. Do not consume spoiled food. Do not re-freeze defrosted food.

## Troubleshooting.

Defect	Cause	Remedy
temperature display.		
<b>DEMO lights up in the temperature display.</b>	The demo mode is activated.	▶ Contact the customer service department (see 6) .
<b>The outside surfaces of the appliance are hot*.</b>	The heat of the refrigerant circuit is used to prevent condensate from forming.	▶ This is normal.
<b>The IceMaker cannot be switched on.</b>	The appliance and therefore the IceMaker are not connected.	▶ Connect the appliance (see 4) .
<b>The IceMaker is not making ice cubes.</b>	The IceMaker is not switched on.	▶ Switch the IceMaker on.
	The drawer of the IceMaker is not properly closed.	▶ Close the drawer properly.
	The water connection is not open.	▶ Open the water connection.
	The water supply to the IceMaker was interrupted.	▶ Check the connection to the water supply ( <b>see the Assembly Instructions, Connecting the Water Supply</b> ). ▶ Check the pipes and hoses ( <b>see the Assembly Instructions, Connecting the Water Supply</b> ).
	There is a blocked filter at the end of the water supply hose or at the connecting part on the machine.	▶ Clean the filters.
	The waterline was not bled of all air during installation	▶ Please contact your qualified installation plumber to ensure the above criteria is met before calling for service.
<b>The temperature is not cold enough.</b>	The door of the appliance is not closed properly.	▶ Close the appliance door.
	Insufficient ventilation.	▶ Clear and clean the ventilation grille.
	The ambient temperature is too high.	▶ Solution: (see 1.3)
	The appliance was opened too frequently or for too long.	▶ Wait to see whether the required temperature resets itself by itself. If not, contact the customer service department (see 6) .
	Too much fresh food was placed inside without SuperFrost.	▶ Solution: (see 5.8.4)
	The temperature is incorrectly set.	▶ Set to a colder temperature and check after 24 hours
	The appliance is too near to a heat source (stove, heater etc).	▶ Change location of appliance or the heat source.
	The appliance was not properly installed in the recess.	▶ Make sure the appliance was installed correctly and the door closes properly.
<b>Display show two dashes (“-”).</b>	The freezer temperature display will only show temperatures that are below freezing.	▶ When initially starting the appliance it will not be below freezing. It will take three to five hours (depending on ambient conditions) for freezing

## Putting appliance out of service

Defect	Cause	Remedy
		temperatures to be achieved and thus displayed numerically.
	The freezer temperature has risen above zero degrees due to a power failure or power interruption.	▶ See also “Power failure” and 
<b>The interior light does not turn on.</b>	The appliance is not switched on.	▶ Switch on the appliance.
	The door was open for longer than 15 min.	▶ The interior light automatically switches itself off if the door remains open for approx. 15 min.
	The LED interior light is faulty or the cover is damaged:	 <b>WARNING</b> Risk of injury from electrical shock. Live parts are under the cover. ▶ The LED interior light should only be replaced or repaired by the Customer Service department or by engineers trained to do so.
		 <b>WARNING</b> Risk of injury from LED lamp! The light intensity of the LED lighting corresponds to risk group RG 2. If the cover is faulty: ▶ Do not gaze directly at this lighting unit with optical lenses while very close to the light source. This can cause damage to your eyes.
<b>The door seal is faulty or needs to be replaced for other reasons.</b>	On some appliances the door seal is interchangeable. You can replace it without the use of any special tools.	▶ Contact the customer service department (see 6) .
<b>The appliance is iced up or condensation is building.</b>	The door seal may have slipped out of its groove.	▶ Check the door seal is well placed in the groove.

## 8 Putting appliance out of service

### 8.1 Vacation Tips

**Short vacations:** If you will be away for less than four weeks

- ▶ Use all perishables.
- ▶ Freeze other items.
- ▶ Turn off the refrigerator compartment.
- ▶ Turn off the icemaker.
- ▶ Shut down the water supply to the icemaker.

**Long vacations:** If you will be away for a month or more

- ▶ Remove all food from the appliance.

- ▶ Turn OFF the appliance.
- ▶ Clean the appliance (see 6.2) .
- ▶ Leave the door open to prevent unpleasant odors.
- ▷ This will also keep mold from building up.
- ▶ Turn off the icemaker.
- ▶ Shut off the water supply to the icemaker.

### 8.2 Shut off the water intake

#### NOTICE

Malfunction of the water intake!

If the water intake is shut off during operation but the IceMaker remains in operation, the water intake pipe may ice up.

- ▶ Switch off the IceMaker if the water supply is interrupted (e.g. holiday).

## Disposing of the appliance

### 8.3 Switching off the appliance

#### Note

- ▶ If the appliance cannot be switched off, the Child Safety function is still activated (see 5.2) .

#### 8.3.1 Switching the whole appliance off via the freezer compartment

- ▶ Press and hold down the freezer compartment On/Off button *Fig. 3 (8)* for approx. 2 seconds.
  - ▷ A long beep sounds.
  - ▷ The temperature displays are dark.
  - ▷ The appliance is switched off.

#### 8.3.2 Switching off the fridge compartment with Biofresh compartment

#### Note

Before going on vacation or other prolonged periods of non-use

- ▶ You can switch the refrigerator with BioFresh section on/off separately.
  - ▶ Press and hold down the chiller compartment On/Off button *Fig. 3 (1)* for approx. 2 seconds.
    - ▷ The refrigerator compartment temperature display *Fig. 3 (2)* is dark.
    - ▷ Refrigerator compartment and BioFresh section are switched off.

### 8.4 Decommissioning

- ▶ Empty the appliance.
- ▶ Put the IceMaker in the cleaning position (see 6) .
- ▶ Switch off the appliance (see 8) .
- ▶ Pull out the power plug.
- ▶ Clean the appliance (see 6.2) .



- ▶ Leave the door open to prevent bad smells.

## 9 Disposing of the appliance

Follow the local regulations for the disposal of appliances. Old appliances can be dangerous. Contact the local refuse collection department for additional information.



#### DANGER

There is a risk of suffocation.

Children playing can shut themselves in and suffocate.

- ▶ Take the door(s) off.
- ▶ Remove the drawers.
- ▶ Leave the storage shelves in the appliance so that children cannot easily climb into the appliance.



#### WARNING

Danger of electric shock.

- ▶ Cut off the plug from the power cord and discard.
- ▶ Cut off the power cord from the discarded appliance. Dispose of separately from the appliance.

Ensure during and after disposal that the appliance isn't stored in the vicinity of gasoline or other flammable vapors and liquids.

When disposing of the appliance, ensure that the refrigeration circuit is not damaged to prevent uncontrolled escape of the refrigerant it contains (data on type plate) and oil.

## 10 Liebherr Warranty Plan

**FULL TWO YEAR WARRANTY** - For two years from the date of original purchase, your Liebherr warranty covers all parts and labor to repair or replace any part of the product which proves to be defective in materials or workmanship.

**FULL FIVE YEAR WARRANTY** - For five years from the date of original purchase, your Liebherr warranty covers all parts and labor to repair or replace any components that prove to be defective in materials or workmanship in the sealed system. The "Sealed System" means only the compressor, condenser, evaporator, drier and all connecting tubing.

**LIMITED 6TH THROUGH 12TH YEAR WARRANTY** - From the 6<sup>th</sup> through 12<sup>th</sup> year from the date of original purchase, your Liebherr warranty covers all parts that prove to be defective in materials or workmanship in the Sealed System (parts only).

#### TERMS APPLICABLE TO EACH WARRANTY

All service provided by Liebherr under the warranty must be performed by authorized Liebherr service representatives, unless otherwise specified by Liebherr. Service will be provided in the home during normal business hours. This warranty applies only to products installed for normal residential use. Details regarding a non-residential warranty are available on request.

The warranty applies only to products installed in any one of the fifty states of the United States or the District of Columbia. The warranty does not cover any parts or labor to correct any defect caused by negligence, accident or improper use, maintenance, installation, service or repair, including but not limited to improper removal and reinstallation of the condensing unit.

**THE WARRANTIES DESCRIBED ABOVE ARE MADE EXPRESSLY IN LIEU OF ANY OTHER WARRANTIES, EXPRESSED OR IMPLIED, INCLUDING ANY IMPLIED WARRANTY OF MERCHANTABILITY OR FITNESS FOR A PARTICULAR PURPOSE, AND OF ANY OTHER OBLIGATION OR LIABILITY ON THE PART OF LIEBHERR. IN NO EVENT SHALL LIEBHERR BE LIABLE FOR SPECIAL, INCIDENTAL OR CONSEQUENTIAL DAMAGES ARISING FROM THE BREACH OF THESE**



**WARRANTIES OR ANY OTHER WARRANTIES,  
WHETHER EXPRESS, IMPLIED OR STATUTORY.**

Some states do not allow the exclusion or limitation of incidental or consequential damages so the above limitation or exclusion may not apply to you. This warranty gives you specific legal rights and you may also have other legal rights which vary from state to state.

To receive parts and/or service and the name of the Liebherr authorized service representative nearest you, contact your Liebherr dealer or distributor or contact the Liebherr designated national service provider:

in the US: [Service-appliances.us@liebherr.com](mailto:Service-appliances.us@liebherr.com) or call 1-866-LIEBHER (1-866-543-2437).

in Canada: [www.euro-parts.ca](http://www.euro-parts.ca) or call 1-888-LIEBHER (1-888-543-2437).

**For Service in the U.S.:**

**Liebherr Service Center**

**Toll Free: 1-866-LIEBHER or 1-866-543-2437**

Service-appliances.us@liebherr.com  
PlusOne Solutions, Inc.  
3501 Quadrangle Blvd, Suite 120  
Orlando, FL 32817

**For Service in Canada:**

**Liebherr Service Center**

**Toll Free: 1-888-LIEBHER or 1-888-543-2437**

www.euro-parts.ca  
EURO-PARTS CANADA  
39822 Belgrave Road  
Belgrave, Ontario, N0G 1E0  
Phone: (519) 357-3320  
Fax: (519) 357-1326



[www.liebherr-appliances.com](http://www.liebherr-appliances.com)