

LRBFS20W1HC

MediLine



 GERMAN
ENGINEERING

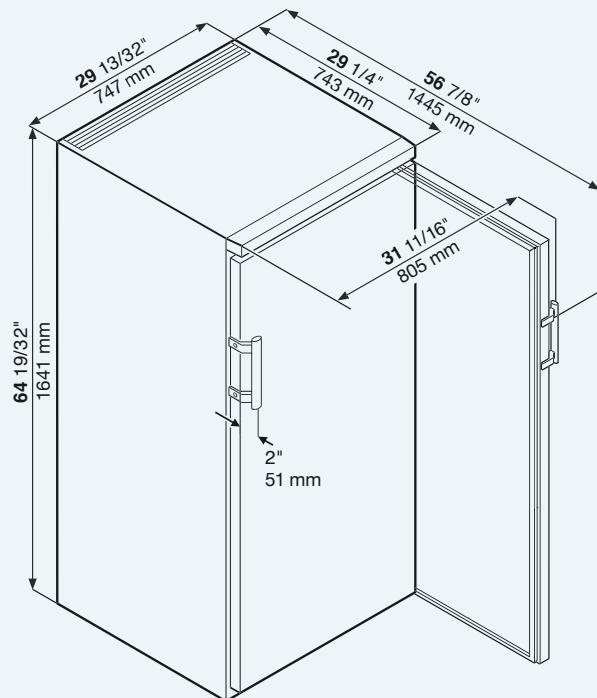
LIEBHERR

Laboratory Refrigerator with Analog Controls Suitable for Flammable Material Storage



Laboratory refrigerator with spark-free interior	LRBFS20W1HC MediLine
Total gross/net capacity l (cu.ft.)	567/533 (19.9/18.7)
Exterior dimensions in mm (w/d/h)	747/743/1641
in inches (w/d/h)	29 7/16"/29 5/16"/64 5/8"
Interior dimensions in mm (w/d/h)	600/560/1452
in inches (w/d/h)	23 5/8"/22 1/16"/57 3/16"
Energy consumption in 365 days *	380 kWh
Ambient temperature in °C (°F)	10°C to 35°C (50°F to 95°F)
Refrigerant	R290
Sound rating **	50 dB(A)
Connection rating	3.0 A
Frequency/voltage	60 Hz/115V~
Cooling system	forced-air
Defrost	automatic
Temperature range in °C (°F)	1°C to 15°C (34°F to 59°F)
External cabinet finish	steel/white
Door/lid material	steel
Internal liner material	commercial grade molded polystyrol
Type of control	analog control
Temperature display	external digital
Interior light	n/a
Adjustable shelves	5
Shelf material	glass
Shelf load weight in kg (lbs)	40 (88.2)
Usable shelf area in mm (inches)	600/550 (23 5/8"/21 11/16")
Handle	ergonomic slimline handle
Lock	recessed
Door hinges	right, reversible on site
Insulation in mm (inches)	32–52 (1 5/16" – 2 1/16")
Gross/net weight in kg (lbs)	88/82 (194/180.8)
Accessories	
Glass shelf	9293595
Additional lock barrels (up to 10)	upon request

Unit Dimensions



Interior is free from sources of ignition and meets the requirements for Class I, Division 2 for storage of flammable substances in closed containers. Product complies with the applicable requirements of NFPA 45 and NFPA 99.

Subject to alterations.

* Measured unloaded at 26.6°C (80°F) ambient temperature with set point of 3.3°C (38°F).

** Noise level – sound power re 1pW – according to IEC 60704-2-14.