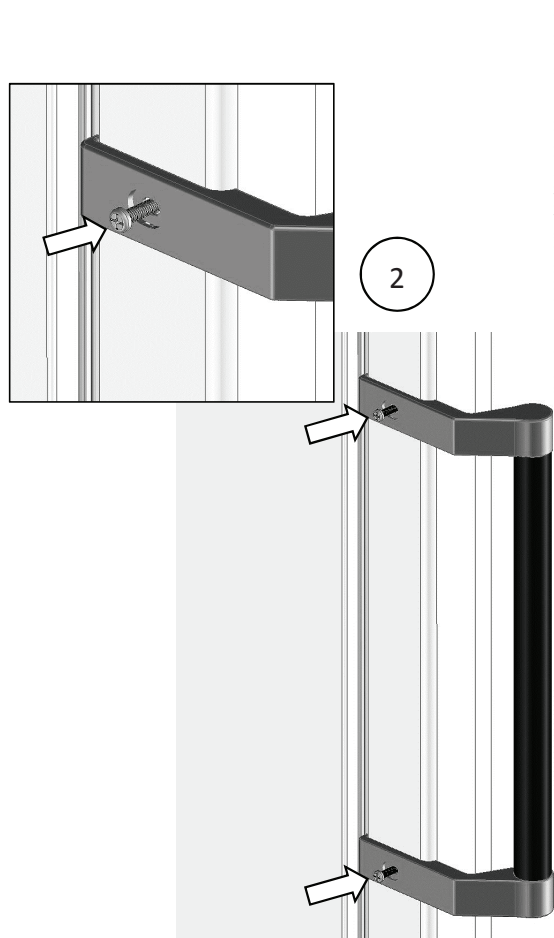
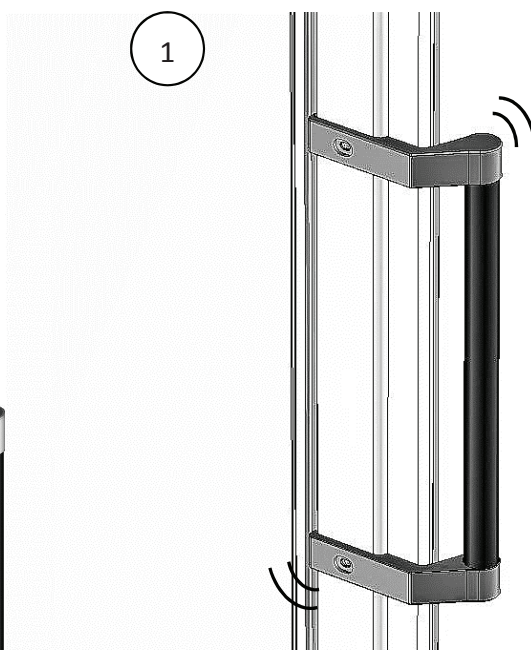


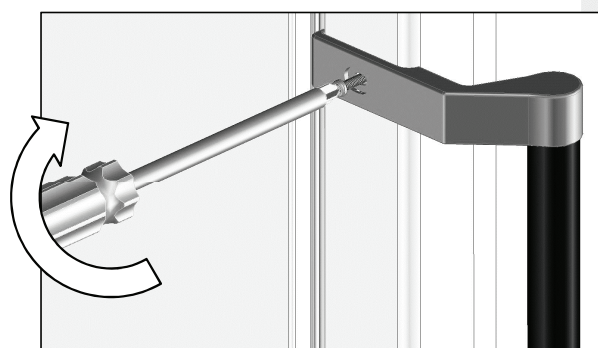
## ADDENDUM SHEET FOR DOOR HANDLE INSTALLATION



2. Put 2 screws (provided) into holes to secure the handle before tightening.



1. Place the handle at door frame.



3. Tighten the screws completely with screw driver. End.