

EKB 9671

Quality, Design and Innovation

EGN 9171

EKB 9671



MONOLITH

LIEBHERR

With its impressive size, clean lines, and innovative interior features, the Monolith was designed to inspire awe and integrate seamlessly into your kitchen – today, tomorrow, and for years to come. Indeed, Monolith takes advanced food preservation to a whole new level.

Monolith BioFresh-Plus drawer adds another dimension of climate control to the BioFresh system by allowing you to set temperatures inside the third drawer to as low as -2°C. That's the perfect temperature for preserving the freshness and flavours of seafood. The adjustable InfinityLight LED system casts beautiful and even side lighting, giving a soft, brightening effect upon opening the doors. Our intuitive electronic touch-control panel, InfinitySwipe, features a full-colour 3.5-inch touch & swipe screen that's bright, clean and wonderfully user-friendly. Stainless steel or aluminium handles and a stainless steel front are available as optional accessories.

Possible Side-by-Side combinations

EGN 9171 & EKB 9671

EGN 9271 & EKB 9671



Monolith 91.4 cm

Energy consumption (kWh/y) Star rating
Sound rating dB(A) *
Usable refrigerator capacity litre
Usable BioFresh & BioFresh-Plus comp. litre
Number of shelves
Number of door racks
Number of BioFresh / BioFresh-Plus drawers
Electronic control
Door / side walls
Refrigerator temperature range °C **
Temperature alarm
Defrost type
Interior light
Door alarm
Internal water dispenser
Water filter
SoftSystem
Door hinges
Product dimensions (H/W/D) cm
Cut out dimensions (H/W/D) cm
Gross / Net weight kg
Voltage (V) / Rated current (A)
Warranty

EKB 9671

Bio Fresh-Plus	Infinity Swipe	Infinity Light	Infinity Spring	Soft System	Soft Telescopic
----------------	----------------	----------------	-----------------	-------------	-----------------

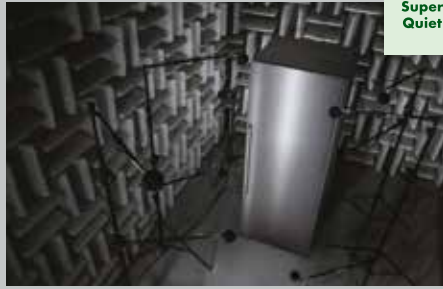
263 3.5
39
534
235
4
3
2 / 1
InfinitySwipe
Steel
+2°C to +7°C
Visual and audible
Automatic
InfinityLight
Audible
InfinitySpring
Yes
Yes
Right, reversible ***
212.6 / 90.9 / 61
213.4 / 91.4 / min. 63.5
214 / 199
220-240 / 1.5
5 Years

* Noise output - according to EN 60704-3.
 ** BioFresh bins, 0°C. BioFresh-Plus bins, -2°C or 0°C.
 *** Please contact your Liebherr Authorised Dealer for door reversal.



Soft System

SoftSystem: Monolith's doors close automatically and gently thanks to our SoftSystem technology, which eliminates slamming even when shelves are fully loaded. Depending on the size of the Monolith unit, door hinges can hold up to 40 kg.



Super Quiet

SuperQuiet: Noise levels are kept to a minimum thanks to virtually silent, speed-controlled, and sound absorbing compressors. Alongside a low noise cooling circuit, these features ensure exact performance, energy efficiency, and SuperQuiet operation.



Bio Fresh-Plus

BioFresh-Plus: BioFresh technology offers you the perfect climate for superior, long-lasting food freshness. In addition to two BioFresh drawers, the third drawer in the Monolith fridge can be set to BioFresh-Plus by lowering temperatures down to -2°C, ideal for storing fresh fish and seafood.



Infinity Spring

InfinitySpring: The seamlessly integrated, flush-mounted InfinitySpring internal water dispenser is there when you need it, and also virtually invisible when you don't. This dispenser can accommodate water pitchers of any size. In addition our filtration system eliminates harmful contaminants, resulting in crisp, clear, fresh tasting water.



Infinity Light

InfinityLight: Seamlessly integrated LED side-wall lighting in the Monolith casts a beautiful and even glow that can be adjusted to your liking. It gives a soft, brightening effect upon opening the appliance doors and comes with a pleasing night dimming feature. InfinityLight adds drama and flair while emitting less heat to preserve food quality.



Infinity Swipe

InfinitySwipe: The Monolith's intuitive electronic touch-control panel features a full-colour 3.5-inch touch and swipe screen that's bright, clean, and wonderfully user-friendly. You'll barely have to lift a finger to control every function.

Optional Accessories

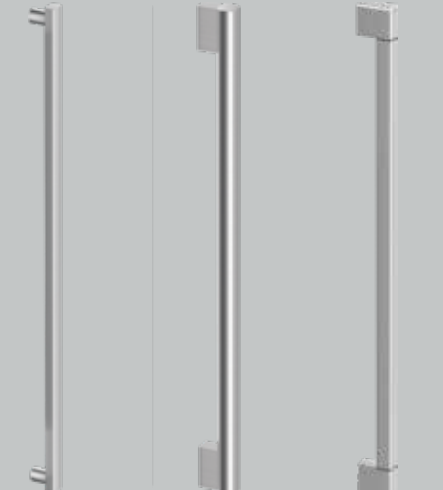
Stainless steel front



◀ 91.4 ▶

Stainless steel front 91.4 cm (Part no. 39901458)

Handle variants



Brushed aluminium square handle (Part no. 39901461)

Round stainless steel handle (Part no. 39901489)

Brushed aluminium soft-edge handle (Part no. 39901492)

Stainless steel toe kick



Stainless steel toe kick
Base - trim / 91.4 cm (Part no. 39902349)
Stainless steel toe kicks are available in different lengths to suit installation with other Monolith appliances.

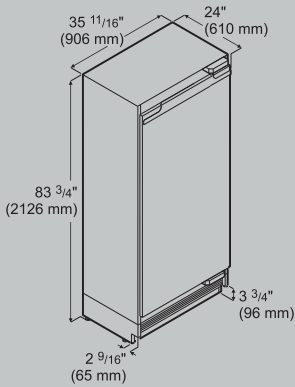
Side-by-Side kit (if required)

Monolith's Side-by-Side kit (Part no. 39901428) includes a side wall heater to prevent condensation, metal brackets with screws, and a finishing strip to fill the gap between the appliances.

Door hinge exchange set (Part no. 39902399)
To be used when reversing factory-fitted hinges. Door reversal must be performed by a Liebherr authorised dealer.

Product Dimensions

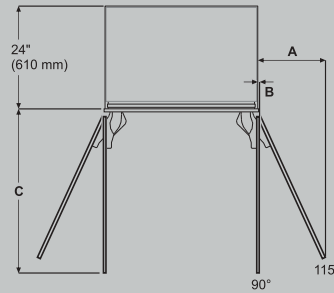
91.4 cm appliance



IMPORTANT!
Stated minimum height dimensions include height of the adjustable feet when fully inserted.

Height can be increased by a maximum of 19 mm by turning the adjustable feet. When the appliance is fitted in the recess, the appliance must be raised by turning the adjustable feet so that the appliance top has contact with the anti-tipping bracket. This results in a 4" (102 mm) toe kick height.

91.4 cm appliance



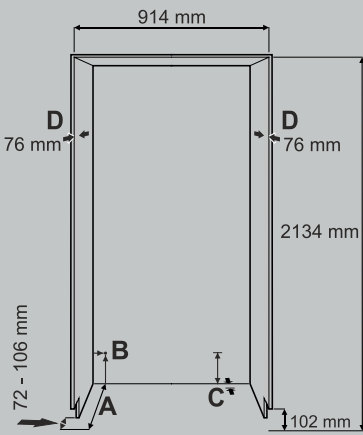
Internal door panel
A = 15 3/4" (400 mm)
B = 1/2" (12.5 mm)
C = 37 7/8" (962 mm)

External door panel
A = 16" (406 mm)
B = 1/2" (12.5 mm)
C = 38 3/8" (975 mm)

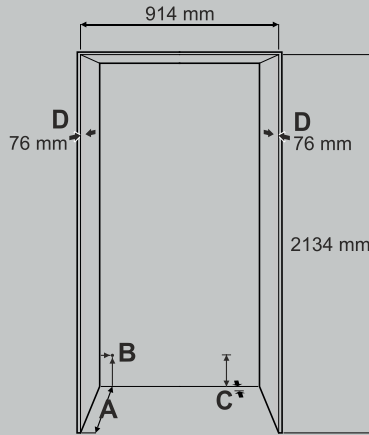
Dimension A = without mounted door handle

Cut Out Dimensions

Continuous toe kick



Individual toe kick



Door Front Dimensions

91.4 cm recess

Integrated installation
H = 79 7/8" (2029 mm)
W = 35 3/4" (908 mm)

Frameless installation
H = 80" (2032 mm)
Add overlapping dimension to the panel on the top.
W = 36" (914 mm)
Add overlapping dimension to the panel on both sides.

Front thickness = min. 5/8" (16 mm) / max. 1 3/16" (30 mm)
Front and handle weight = max. 40 kg

A: Recess depth for external door panel = 635 mm
Recess depth for internal door panel = 635 mm plus panel thickness.

B: This is the point where the mains cable exits from the appliance rear. 19 mm from the left and 127 mm from the floor.
Free length of the mains cable is 2.5 m.

IMPORTANT

The socket must be easily accessible so that the appliance can be disconnected from the mains quickly in an emergency. It must not be behind the back of the appliance.

C: The appliance has a recess in this area for cable and water line laying.
25 mm in depth and 140 mm in height over the whole width of the appliance.

D: This surface is visible when the appliance door is open. Designed finish is required.

* If a five-piece shaker style front is used, which is thinner than the minimum front thickness, shorter screws than those supplied in the accessory pack must be used.

Note: Whilst every effort is made to ensure all specifications and information in this flyer are accurate, Liebherr reserves the right to make changes without notification. Where actual appliance measurements, specifications, and ratings are crucial, we recommend that the actual appliance installation instructions that accompany each appliance be checked. Liebherr will not be liable for any loss.