

# WUgb 3400

Wine Cabinets

# LIEBHERR

## Refrigeration and Freezing



home.liebherr.com

### WUgb 3400

Energy consumption (kWh / y)	170
Sound rating dB(A)	34
Total capacity cu.ft. (l)	3.3 (94)
Max. No. of Bordeaux bottles (0.75l)	34
Number of shelves	5
Shelves on telescopic rails	3
Self material	Beech wood
Presentation shelf	No
Electronic control	Touch electronic
Temperature range °F (°C)	41 to 68°F (5 to 20°C)
Temperature zones	2
Temperature alarm	Yes
Interior light	LED interior lighting
Door alarm	Acoustic
Safety thermostat	Yes
Activated charcoal filter	Yes
Door type	Elegant black glass door with TipOpen Technology
Door hinges	Right, reversible
SoftSystem	Yes
Door lock	No
<b>Product dimensions</b>	
in inch (H / W / D)	32 1/4 / 23 9/16 / 22 3/4
in cm (H / W / D)	81.8 / 59.7 / 57.7
<b>Cut out dimensions</b>	
in inch (H / W / D)	32 5/16 - 34 5/16 / 23 5/8 / 22 7/8
in cm (H / W / D)	82-87 / 60 / 58
Net weight lbs. (kg)	108 (49)
Voltage V / Hz	115/60

\*\* Noise output – according to EN 60704-3

Not recommended for installation or use at altitude greater than 5000 feet above sea level.



### Accessories

FreshAir charcoal filter

7434557

### Features

#### LED

LED lighting is energy efficient, long-lasting, and maintenance-free.

#### Tip Open

For integration into handleless kitchen furniture, the handleless, full-surface insulated glass door with innovative TipOpen technology is the perfect solution. The glass door opens a few centimetres when tapped. If the door is not opened further after 3 seconds, the SoftSystem closes it again.

#### Soft System

SoftSystem integrated into the appliance door, cushions the door closure, thus eliminating slamming, even when the shelves are fully loaded.

#### Telescopic Rails

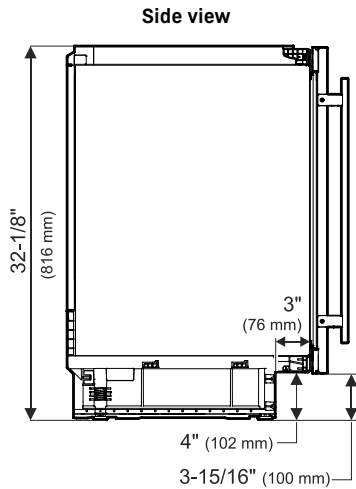
Telescopic rails a self-closing system for drawers and shelves, ensures easy and convenient handling.

#### ADA Compliant

ADA compliant, designed to fit under counter heights between 32" and 34".

# Diagrams

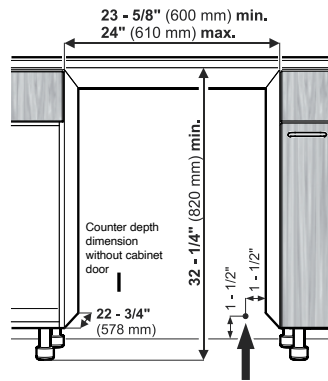
## Appliance and Cabinet Dimensions



**Height when adjustable feet have been screwed in as far as they will go**

Delivery status = feet approx. 1/8" unscrewed.

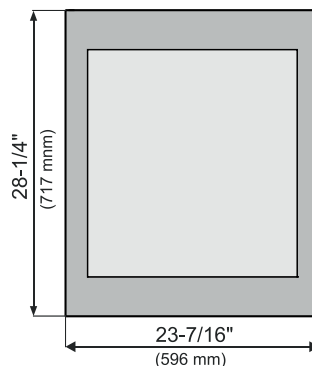
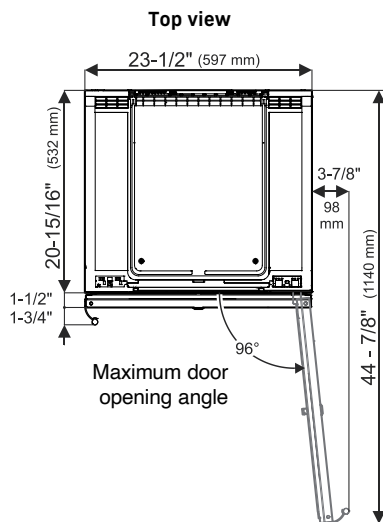
**Maximum height adjustment = 2" (51 mm)** to allow for a 6" (153 mm) toe kick.



The power cord exits the rear of the appliance at this location.

Free length of the power cord = **78 - 3/4 inch (2000 mm)**

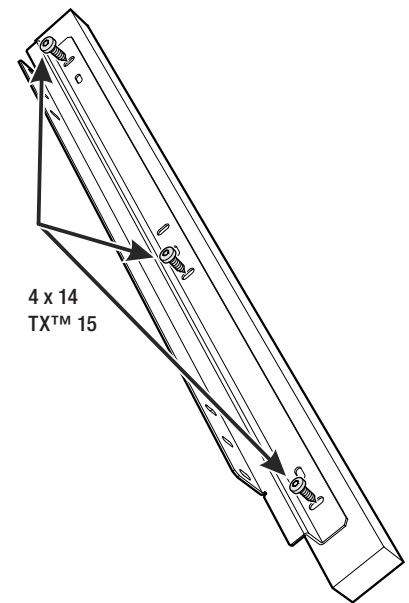
**IMPORTANT**  
The electrical outlet must not be situated behind the appliance and must be easily accessible.



**IMPORTANT**

The floor on which the appliance stands must be horizontal and level. The kitchen units must be aligned horizontally and vertically.

## Mounting the panel onto the angle bracket



Mount the panel onto the angle bracket using three 4 x 14 screws.

## Appliance Venting

The appliance ventilation is in the toe kick. To adjust your wine unit to the counter height, an adjustable toe kick is included.

Height can be adjusted from 4 to 6 1/2".

