



Installation Guide

Quality, Design and Innovation



home.liebherr.com/fridge-manuals




LIEBHERR


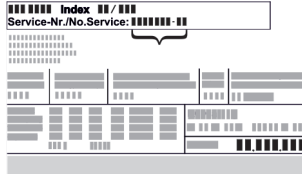
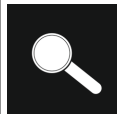



General safety instructions

Contents

1	General safety instructions	2
2	Setup conditions	3
2.1	Space.....	3
2.2	Setting up multiple appliances.....	3
2.3	Electrical connection.....	4
3	Appliance dimensions	4
4	Recess dimensions	4
4.1	Internal dimensions.....	4
5	Ventilation requirements	5
6	Custom panel weights	5
6.1	Weight.....	5
7	Water connection*	5
7.1	Dimensions for the water connection.....	5
7.2	Water pressure.....	5
8	Transporting the appliance	5
9	Unpacking the appliance	5
10	Setting up the appliance	6
10.1	After setup.....	6
11	Disposal of packaging	6
12	Explanatory symbols used	6
13	**** freezer compartment door*	7
13.1	Moving the door hinge.....	7
14	Reversing the door	7
15	Connecting the appliance to the water supply*..	7
15.1	Connecting the hose.....	8
15.2	Check the water system.....	8
16	Installing the appliance in the recess	8
16.1	Preparing the recess and the appliance.....	10
16.2	Aligning the appliance in the recess.....	11
16.3	Temporarily fastening the knocking sensor.....	13
16.4	Inserting the covers and height adjuster.....	13
16.5	Mounting the front of the cabinet.....	14
16.6	Fastening the knocking sensor.....	16
16.7	Fitting the sealing strip.....	16
16.8	Setting the sensitivity of the knocking sensor.....	16
16.9	Checking the installation.....	17
17	Cabinet fronts	17
17.1	Dimensions.....	17
17.2	Mounting the cabinet front(s).....	17
17.3	Setting the clearance to avoid collision.....	17
18	Water tank*	18
18.1	Inserting the water tank.....	18
19	Water filter*	18
19.1	Installing the water filter.....	19
20	Connecting the appliance	19

The manufacturer is constantly working to improve all types and models. Therefore, please be aware that we reserve the right to make changes to the shape, equipment and technology.

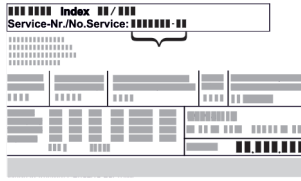
Symbol	Explanation
	Read instructions Please read the information in these instructions carefully to understand all of the benefits of your new appliance.

Symbol	Explanation
	Additional information online The digital manual with supplemental information and in additional languages can be found online by scanning the QR code on the front page of this manual or by entering the service number at home.liebherr.com/fridge-manuals . The service number can be found on the serial tag:  <i>Fig. Example illustration</i>
	Check appliance Check all parts for transport damage. If you have any complaints, please contact your agent or customer service.
	Differences These instructions apply to a range of models, so there may be differences. Sections that apply to certain models only are indicated by an asterisk (*).
	Instructions and results Instructions are marked with a ▶. Results are marked with a ▷.
	Videos Videos about the appliances are available on the YouTube channel of Liebherr-Hausgeräte.

1 General safety instructions

- Please keep this assembly manual in a safe place so you can refer back to it at any time.
- If you pass the appliance on, please hand this assembly manual to the new owner.
- Read this assembly manual before installation and use in order to use the appliance safely and correctly. Follow the instructions, safety instructions and warning messages included at all times. They are important for ensuring you can operate and install the appliance safely and without any problems.
- First read the general safety instructions in the “General safety instructions” section of the **operating instructions**, which accompany these installation instructions, and follow them. If you cannot find the **operating instructions**, you can download the **operating instructions** from the internet by entering the service number at home.liebherr.com/fridge-manuals. The

service number can be found on the serial



tag:

- **Observe the warning messages and other detailed information in the other sections when installing the appliance:**

	DANGER	indicates a hazardous situation, which if not avoided, will result in death or serious injury.
	WARNING	indicates a hazardous situation, which if not avoided, could result in death or serious injury.
	CAUTION	indicates a hazardous situation, which if not avoided, will result in minor or moderate injury.
	NOTICE	indicates a hazardous situation, which if not avoided, could result in damage to property.
	Note	indicates useful advice and tips.

2 Setup conditions



WARNING

Risk of fire due to moisture!

If live parts or the power cord get wet, this can cause a short circuit.

- ▶ The appliance is designed for use in enclosed spaces. Do not operate the appliance in open space or in damp areas or where there is spray.

Normal use

- Only set up and use the appliance in enclosed spaces.
- Only use once installed.

2.1 Space



WARNING

Leaking refrigerant and oil!

Fire. The refrigerant contained within the appliance is environmentally friendly, but flammable. The oil contained within the appliance is flammable. Escaping refrigerant and oil can ignite if they are of high enough concentration and are exposed to an external heat source.

- ▶ Do not damage the pipelines of the coolant circuit and the compressor.

- If the appliance is installed in a very damp environment condensate water may form on the outside of the appliance.

Always ensure sufficient airflow and ventilation in the setup location.

- The more refrigerant there is in the appliance, the larger the space that it is installed in must be. If the space is too small, any leak may create a flammable mixture of gas and air. For every 8 g of refrigerant, the installation space must be at least 1 m³. Specifications on the refrigerant in the appliance can be found on the serial tag plate inside the appliance.

2.1.1 Installation surface

- The floor of the installation site must be horizontal and level.
- If you are installing the unit in a cabinet standing on an uneven floor: level the cabinet.

2.1.2 Installation position

- Do not install the appliance in an area with direct sunlight, next to a heating unit or similar.
- You can install the appliance directly next to an oven.
- If you install the appliance directly next to an oven, its energy consumption may increase slightly. This depends on the service life and how often the oven is used.
- Only install the appliance in solid cabinets.

Note

A set for restricting the door opening angle to 90° can be acquired from Customer Services for appliances with soft closing.

2.2 Setting up multiple appliances

NOTICE

Risk of damage caused by water condensate!

- ▶ Do not install this device directly beside another fridge/freezer compartment.

NOTICE

Risk of damage caused by water condensate!

- ▶ Do not stack the appliance directly on top of another.

These appliances are designed for different types of installation. Only combine appliances if the appliances are designed for this. The following table shows the installation options by model:

Setup type	Model
Single	All models
Side-by-Side (SBS)	Model that start with S...
Stacked	Models up to a maximum recess height of 880 mm and with a heated cover can be "stacked". Upper appliance: up to a maximum recess height of 140 mm

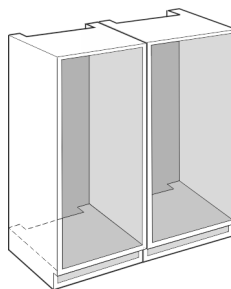


Fig. 1

Install each appliance into its own recess.

Appliance dimensions

2.3 Electrical connection



WARNING

Danger of fire due to incorrect positioning!
If the power supply cable or plug touches the back of the appliance, the vibration can damage the power supply cable or the plug resulting in a short circuit.

- ▶ Make sure the power supply cable is not trapped under the appliance when you position the appliance.
- ▶ Install the appliance so that it does not touch any plugs or power cables.
- ▶ Do not connect any appliances to sockets in the area of the back of the appliance.
- ▶ Do **not** place and operate power strips/power distributors and other electronic devices (such as halogen transformers) at the back of the appliances.

3 Appliance dimensions

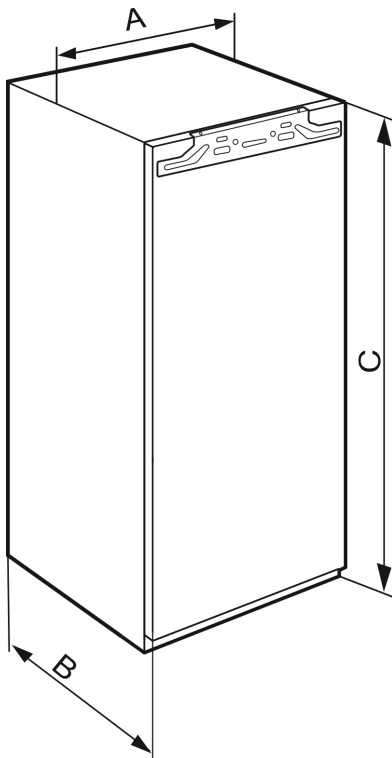


Fig. 2

	A	B	C
IRBAb 4170			1213 mm
IRBAc 5171 / IRBAAd 5190 / SIFNAd 5188	559 mm	546 mm	1770 mm

4 Recess dimensions

4.1 Internal dimensions

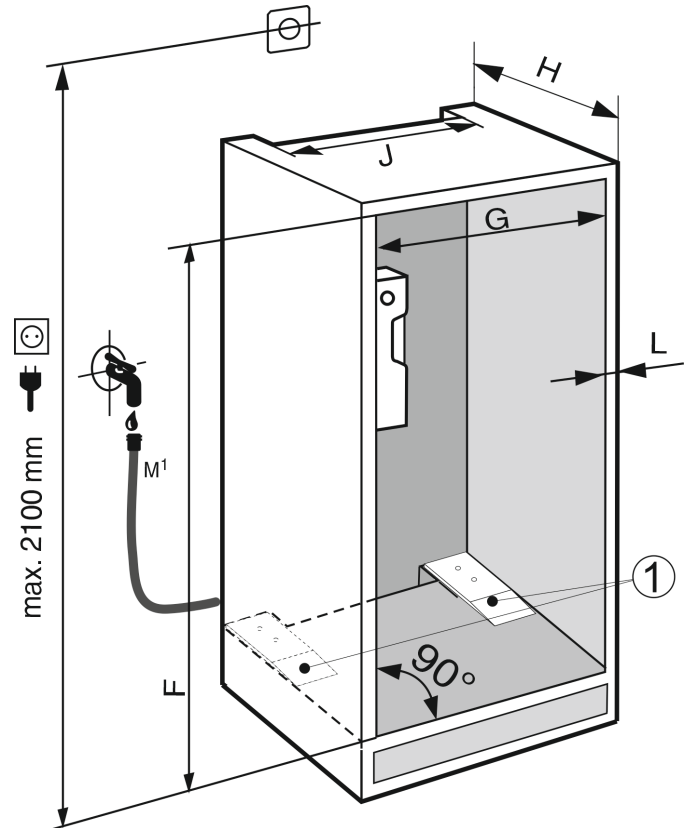


Fig. 3

Note

Functionally relevant: Fitting spacer plates (1).

IRBAb 4170	
F (mm)	1220 to 1236
G (mm)	560 to 570
H (mm)	min. 555, recommended 560
J (mm)	min. 500
L (mm)	max. 19

IRBAc 5190 / IRBAc 5171 / SIFNAd 5188	
F (mm)	1777 to 1793
G (mm)	560 to 570
H (mm)	min. 555, recommended 560
J (mm)	min. 500
L (mm)	max. 19

The specified energy consumption was determined with a kitchen unit depth of 560 mm . The appliance will work properly at a kitchen unit depth of 550 mm , but with a slightly higher energy consumption.

- ▶ Check the wall thickness of adjacent units: It must be a minimum of 16 mm .
- ▶ Only fit the appliance into stable, solid kitchen units. Secure the unit against tipping.
- ▶ Align the cabinets with a level and a try square. If necessary, level them by putting something underneath them.

- ▶ Make sure floor and the side panels of the cabinet are at right angles to each other.

Make the water connection: (see 15 Connecting the appliance to the water supply*)

5 Ventilation requirements

NOTICE

Covered vents!

Damage. Appliance can overheat, which can reduce the service life of various parts of the appliance and lead to functional impairments.

- ▶ Always ensure good ventilation.
- ▶ Always keep vents or ventilation grills in the appliance housing and in the kitchen structure (built-in appliance) unobstructed.
- ▶ Never block air vents of the fan.

Comply with the ventilation gaps:

- The depth of the ventilation shaft at the back of the cabinet must be at least 38 mm.
- At least 200 cm² is required for the ventilation gap cross sections in the plinth and the housing cabinet.
- Basically, the larger the ventilation cross-section, the more efficiently the appliance will run.

Sufficient ventilation is required for the operation of the appliance. The ventilation grids provided ensure an effective ventilation cross-section on the appliance of 200 cm². If you replace the ventilation grids with a cover plate the ventilation cross-section must be as least as large as the ventilation grid provided by the manufacturer.

6 Custom panel weights

6.1 Weight

NOTICE

An excessively heavy custom panel can potentially cause damage!

If the custom panel is too heavy, damage to the hinges cannot be ruled out, which may compromise the functionality of the unit.

- ▶ Before installing the custom panel, ensure the custom panel does not exceed the permissible weight.

Recess height (mm)	Appliance type	Maximum weight of the custom panel (kg)
1220	IRBA..41..	19
1780	IRBA..51.. SIFNA..51..	26

Single-door fridges and freezers

7 Water connection*

If your appliance has a fixed water connection, a hose is supplied with it.

Note

You can purchase a hose of a different length as an accessory.

Overview of dimensions for the water connection:	(see 7.1 Dimensions for the water connection)
Requirements for the water pressure:	(see 7.2 Water pressure)

7.1 Dimensions for the water connection

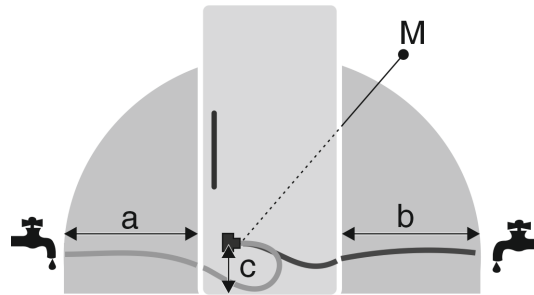


Fig. 4

- (a) Maximum available hose length
- (b) Maximum available hose length
- (c) Distance of solenoid valve to floor
- (M) Solenoid valve

a	b	c
~ 1200 mm	~ 1200 mm	~ 55 mm

7.2 Water pressure

The water connection line and solenoid valve of the appliance are suitable for a water pressure of up to 1 MPa (10 bar).

To ensure that the appliance functions correctly (flow rate, ice cube size, noise level), maintain the following water pressure:

Water pressure:	
bar	MPa
1.5 to 6.2	0.15 to 0.62

Water pressure if using the water filter:*	
bar*	MPa*
2.8 to 6.2	0.28 to 0.62

If the pressure is higher than 6.2 bar:

- ▶ Connect a pressure reducer.
- ▶ Make the water connection. (see 15 Connecting the appliance to the water supply*)

8 Transporting the appliance

Observe the following when transporting the appliance:

- ▶ Transport the appliance upright.
- ▶ Use two people when transporting the appliance.

During the first use:

- ▶ Transport the appliance packaged.

During appliance transport or at first use (e.g. when moving or cleaning):

- ▶ Empty the appliance.
- ▶ Secure the door against undesired opening.

9 Unpacking the appliance

If the appliance is damaged check with the supplier immediately before connecting it.

Setting up the appliance

- ▶ Check the appliance and packaging for damage during transport. If you suspect any damage, please contact your supplier immediately.
- ▶ Remove all materials that could prevent it from being installed properly or prevent proper ventilation from the back or the side panels of the appliance.
- ▶ Remove all protective films from the appliance. Do not use sharp or pointed objects for this.

10 Setting up the appliance



CAUTION

Risk of injury due to heavy appliance!

- ▶ Have two people transport the appliance to its installation site.



WARNING

Danger of injury and damage due to the appliance being unstable!

The appliance can tip over.

- ▶ Secure the appliance as described in the instructions.



WARNING

Danger of fire and damage!

- ▶ Do not place devices that give off heat, e.g. microwaves, toasters, etc. on the appliance.

If possible, have a professional install the appliance in your kitchen cabinet unit.

Do not install the appliance without assistance.

10.1 After setup

- ▶ Remove all transport packaging.

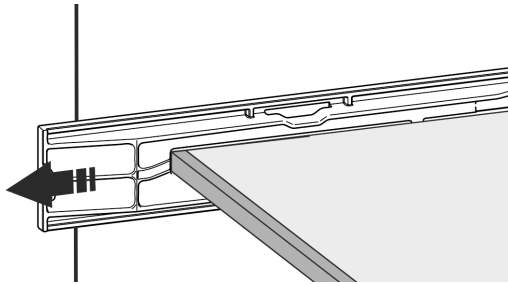
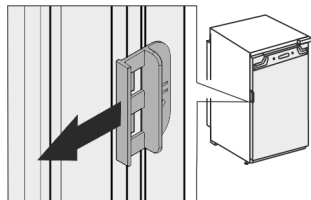


Fig. 5

- ▶ Pull off the transport lock on the appliance door.



- ▶ Clean the appliance (see User Guide, Cleaning the appliance).

11 Disposal of packaging



WARNING

Danger of suffocation from packaging materials and films!

- ▶ Do not allow children to play with packaging materials.













The packaging is made from recyclable materials:

- Corrugated card/cardboard
- Parts made of foamed polystyrene
- Films and bags from polyethylene
- Packing bands from polypropylene
- Wood frame nailed together with a polyethylene window*
- ▶ Take the packaging material to an official collection point.

12 Explanatory symbols used

	There is the risk of injury when doing this! Obey the safety instructions!
	These instructions apply to several models. Only perform this step if it applies to your appliance.
	To install, please follow the detailed description in the Guide.
	This section applies either to a single-door appliance or a double-door appliance.
	Choose one of the options: Appliance with right-hinged door or appliance with left-hinged door.
	Installation step necessary with IceMaker and/or InfinitySpring.
	Loosen or tighten screws slightly.
	Tighten the screws fully.
	Check to see if the next step applies for your model.
	Check the components are in correctly.
	Measure the specified measurement and adjust if necessary.
	Installation tool: Meter stick

**** freezer compartment door*

	Tool for assembly: Cordless screwdriver and attachments
	Tool for assembly: Spirit level
	Tool for assembly: Size 7 and size 10 spanner
	Two people are required for this step.
	This step takes place at the selected location of the appliance.
	Aid for assembly: String
	Aid for assembly: Square
	Aid for assembly: Screwdriver
	Aid for assembly: Scissors
	Aid for assembly: Non-permanent marker pen
	Accessory kit: Remove components
	Dispose of components that are no longer needed.

13 **** freezer compartment door*

It is very easy to reposition the hinge of the **** freezer compartment door if the main door hinge is swapped. If the main door of the appliance can be opened to more than 115° (1), you can open the freezer compartment without repositioning the hinge. If the opening angle (2) of the appliance door is less than this, the hinge must be repositioned.

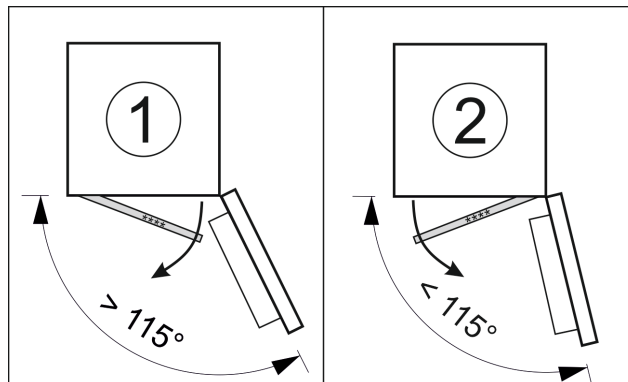


Fig. 6

13.1 Moving the door hinge

The slider for moving the door hinge is located on the back of the **** freezer compartment door at the bottom.

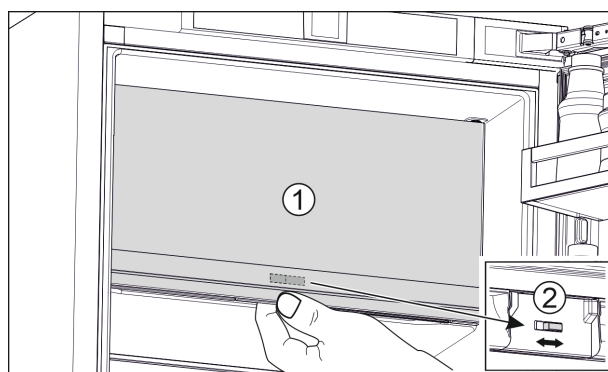


Fig. 7

- ▶ Close the **** freezer compartment door (1).
- ▶ Grab the **** freezer compartment door from below.
- ▶ Move the slider (2) either to the right or to the left.

14 Reversing the door

A separate accessory kit is available from customer service for reversing the door hinge.

Liebherr recommends:

- ▶ Have the door hinge reversed by a service technician.

15 Connecting the appliance to the water supply*

Make sure that the following requirements are fulfilled:

- The dimensions for the water supply connection are known and complied with. (see 7.1 Dimensions for the water connection)
- The correct water pressure is maintained. (see 7.1 Dimensions for the water connection)
- Water is supplied to the appliance via a cold water pipe that can withstand the operating pressure and is connected to the drinking water supply.
- All equipment and devices used for the water supply comply with the applicable regulations in the country of use.
- The back of the appliance is accessible so that you can connect the appliance to the drinking water supply.
- You are using the supplied hose. Old hoses have been disposed of.
- The hose connector contains a screen filter with a seal.

Installing the appliance in the recess

- ❑ There is a faucet between the hose line and the domestic water connection so that you can turn off the water supply if necessary.
- ❑ The faucet is not directly behind the appliance and is easily accessible. This way, you can push the appliance as far as possible into the cabinet recess and can quickly turn off the faucet if necessary.



WARNING

Risk of electric shock from water!

- ▶ Before connecting to the water hose: Disconnect the appliance from the mains.
- ▶ Before connecting to water lines: Shut off the water supply.
- ▶ Make sure that only qualified personnel connect the device to the drinking water supply.



WARNING

Risk of poisoning due to contaminated water!

- ▶ Connect to potable water supply only.

15.1 Connecting the hose

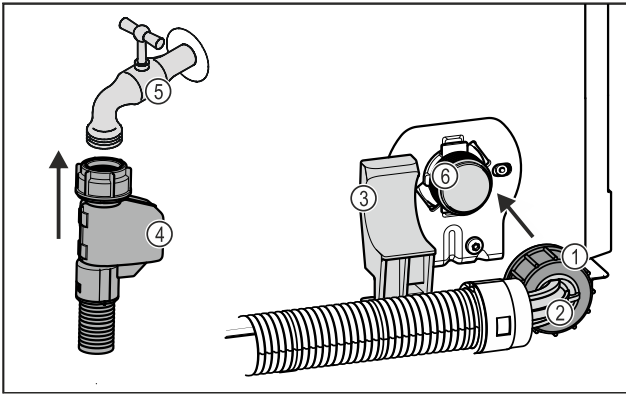


Fig. 8

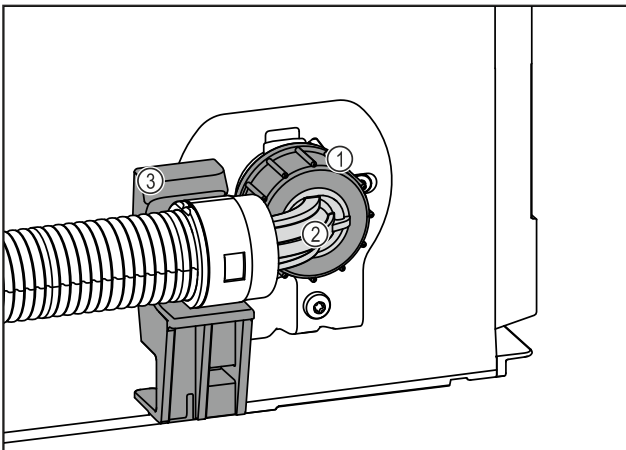


Fig. 8

- | | |
|---------------------|---|
| (1) Nut | (4) Straight hose end |
| (2) Angled hose end | (5) Faucet |
| (3) Bracket | (6) Solenoid valve: The solenoid valve is at the bottom on the back of the appliance. It has an R3/4 connecting thread. |

NOTICE

Risk of damage from incorrect installation!

- ▶ Do not damage or kink the hose.
- ▶ Do not damage or kink the hose during installation in the cabinet recess.

Connecting the hose to the appliance:

- ▶ Position and hold the angled hose end Fig. 8 (2) horizontally on the bracket Fig. 8 (3).
- ▶ Screw on the nut Fig. 8 (1) on by hand until it is firmly in place.
- ▷ The hose is connected to the appliance.

Connecting the hose to the faucet:

- ▶ Connect the straight hose end Fig. 8 (4) to the faucet Fig. 8 (5).
- ▷ The hose is connected to the faucet.

15.2 Check the water system

Before you completely install the appliance in the cabinet recess, Liebherr recommends checking the water system for leaks.

- ▶ Put in the InfinitySpring water tank. (see 18 Water tank*)
- ▶ Put in the InfinitySpring water filter. (see 19 Water filter*)
- ▶ Slowly turn on the faucet.
- ▶ Check the hose, water feed and connections for leaks.
- ▷ The water system has now been checked for leaks.
- ▷ The water system is not leaking: You can install the appliance completely in the cabinet recess.

Note

InfinitySpring: Before the first use, you must put the InfinitySpring into operation. To do this you must bleed and clean the water system. (see Quick Start Guide or operating instructions)*

IceMaker: Before the first use, you must clean the IceMaker. (see Quick Start Guide or operating instructions)*

16 Installing the appliance in the recess

The appliance is installed using the following main steps:

1. Have your tools ready. Fig. 9 ()
2. Check the assembly parts in the accessory kit. Fig. 10 () to Fig. 16 ()
3. Prepare the recess and the appliance.
4. Align the appliance in the recess.
5. Temporarily fasten the knocking sensor.
6. Put in the covers and height adjuster.
7. Mount the front of the cabinet.
8. Fasten the knocking sensor.
9. Fit the sealing strip.
10. Set the sensitivity of the knocking sensor.
11. Check the installation.

Tools

Installing the appliance in the recess

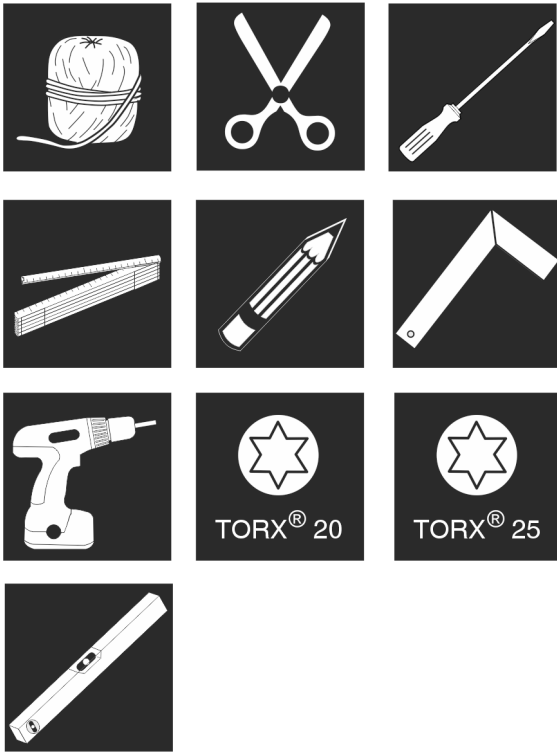


Fig. 9

Assembly parts in the accessory kit Fig. 10 () to Fig. 16 ()

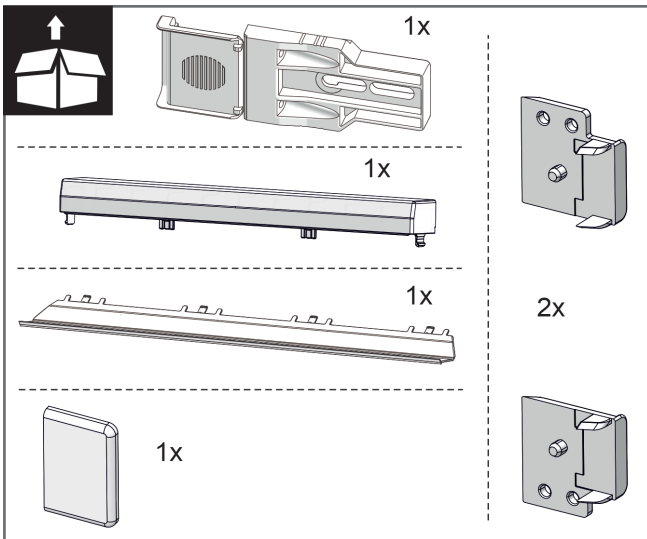


Fig. 10

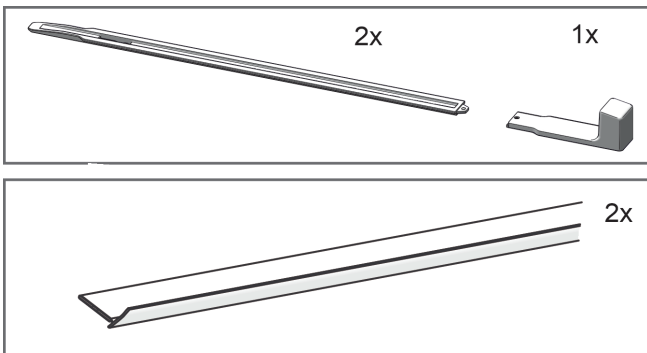


Fig. 11

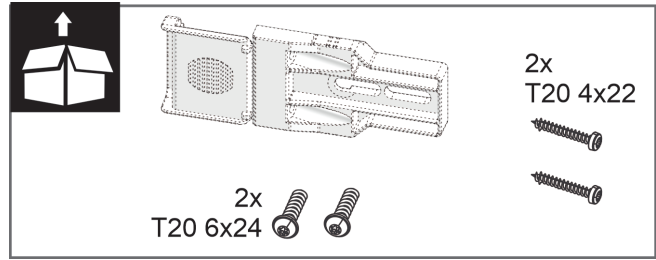


Fig. 12

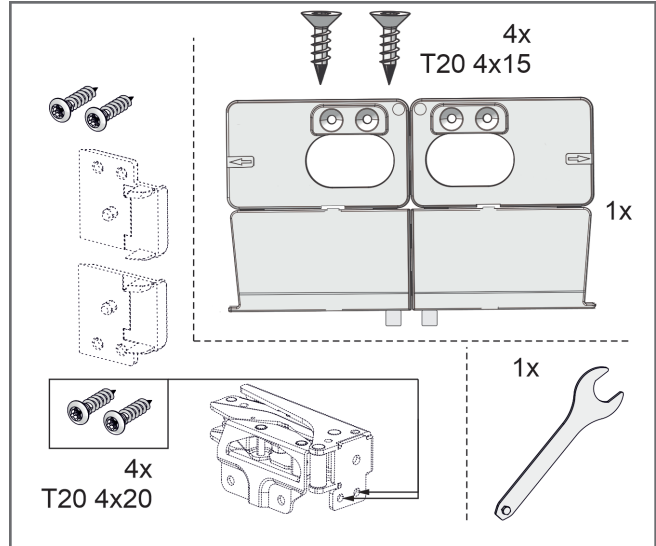


Fig. 13

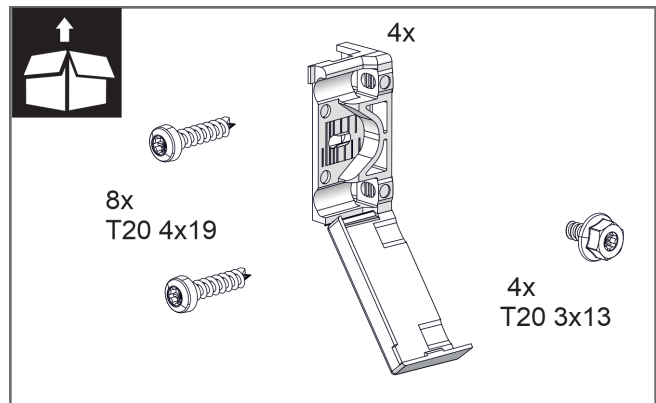


Fig. 14

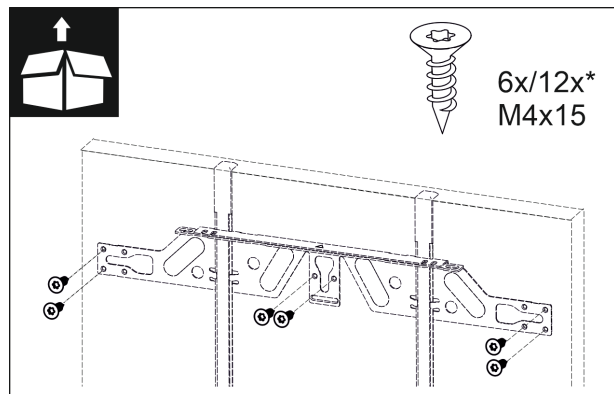


Fig. 15

Installing the appliance in the recess

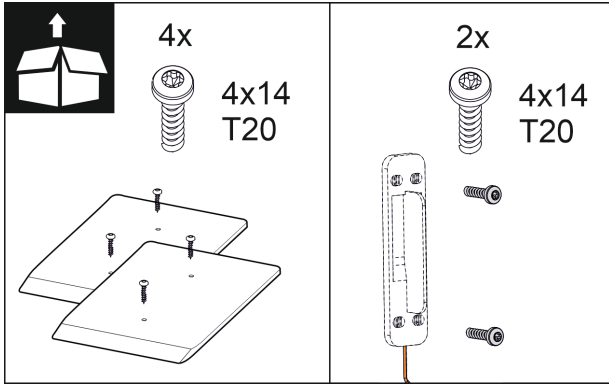


Fig. 16

16.1 Preparing the recess and the appliance

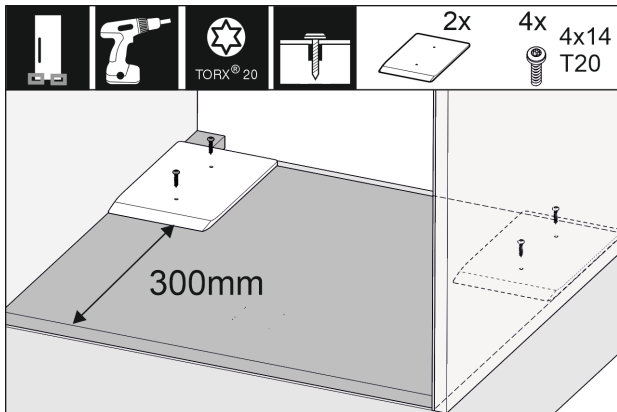


Fig. 17

- Fit the supplied spacer plates in the left and right of the cabinet recess.

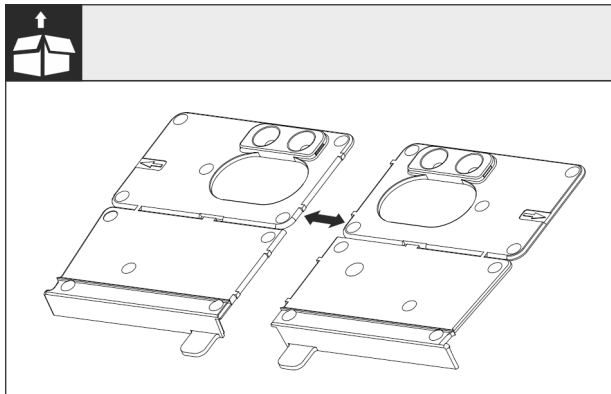


Fig. 18

- Separate the floor mounting bracket at the perforation.

NOTICE

Correct installation depth of the appliance.

- Using the mounting bracket ensures the correct installation depth of the appliance.

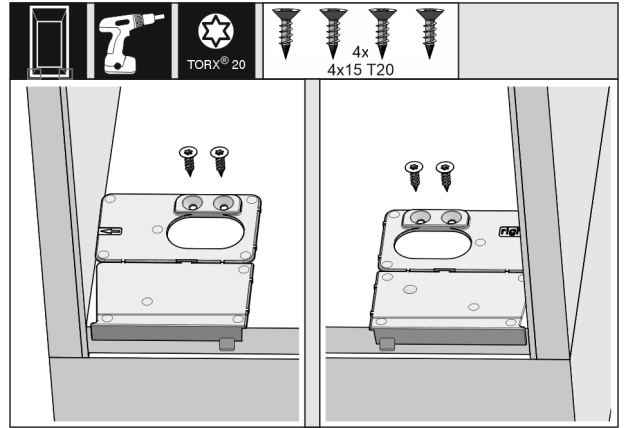


Fig. 19

- Screw the mounting brackets on the left and right of the recess floor, flush to the side wall.

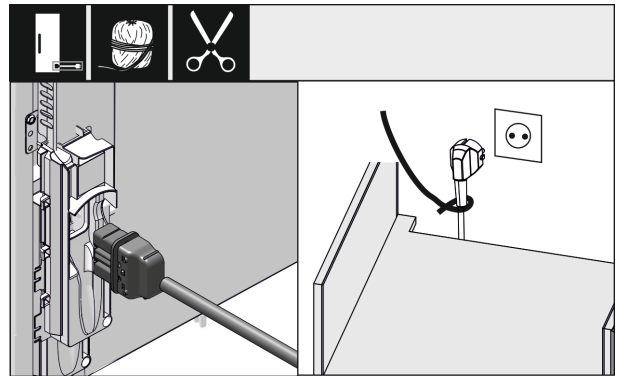


Fig. 20

- Remove the power cable from the package and plug it into the back of the appliance. Use a string to route the power plug cord to the accessible socket. Do not plug in the power plug until the appliance is correctly installed.

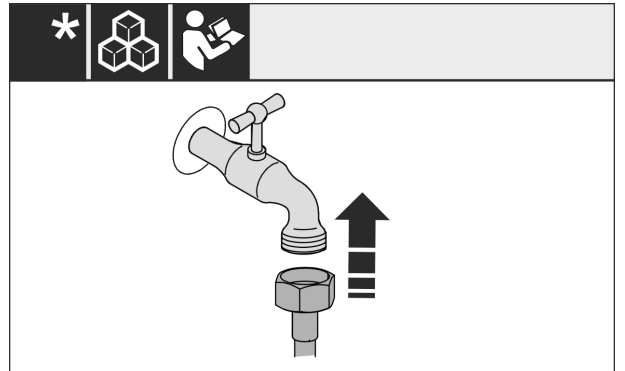


Fig. 21

- If necessary, install the water connection at this point according to the operating instructions.

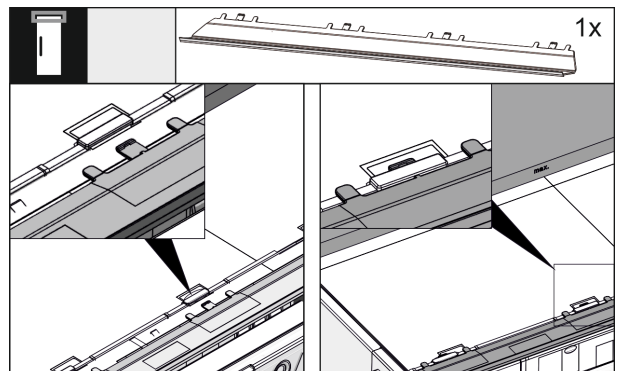


Fig. 22

Installing the appliance in the recess

- ▶ Insert the leveling panel on the top of the appliance. The panel can be moved to both sides.

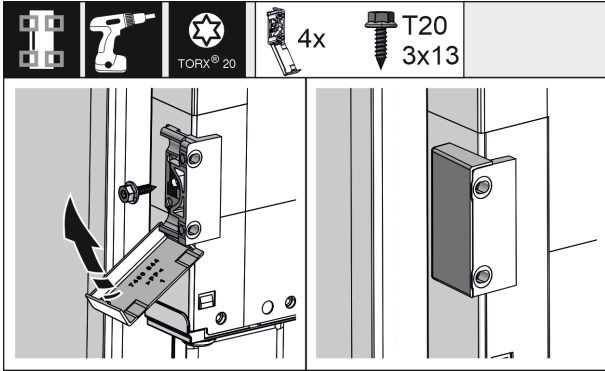


Fig. 23

- ▶ For easier assembly, fit the mounting bracket before pushing the appliance into the cabinet recess. For a large door, use four mounting brackets. After assembly, fold the covers onto the bracket.

16.2 Aligning the appliance in the recess

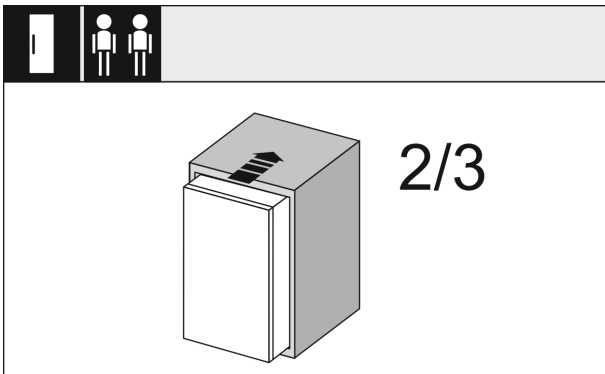


Fig. 24

- ▶ Push the appliance 2/3 of the way into the recess.

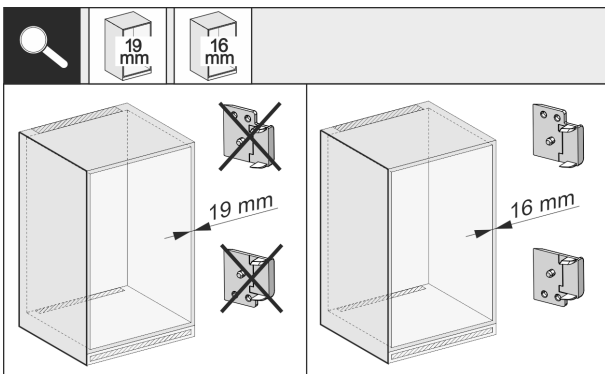


Fig. 25

- ▶ Check whether the unit side wall is 16 mm or 19 mm thick.

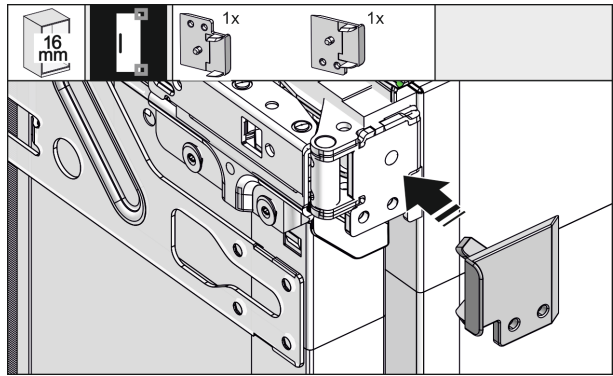


Fig. 26

- ▶ For unit walls which are 16 mm thick: Clip a spacer on all hinges. No spacer is required if the unit walls are 19 mm thick.

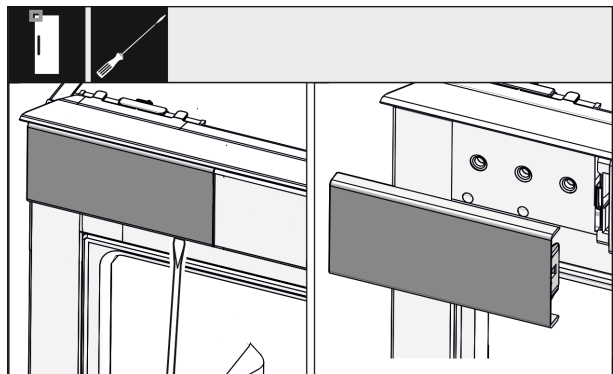


Fig. 27

- ▶ Use a screwdriver to loosen the cover at the top left and remove it.

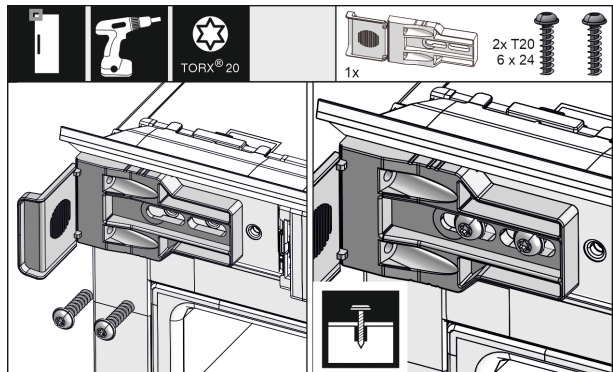


Fig. 28

- ▶ Loosely screw on the mounting bracket. The bracket should still be able to move slightly.

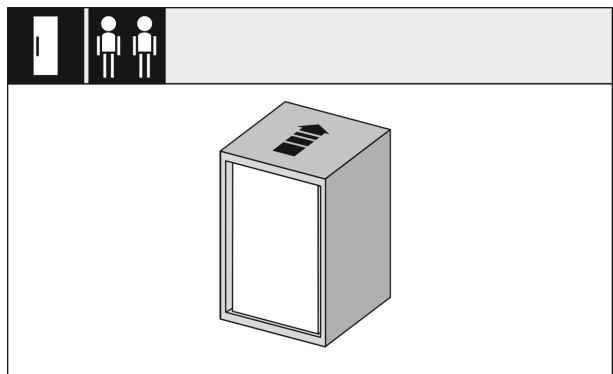


Fig. 29

Installing the appliance in the recess

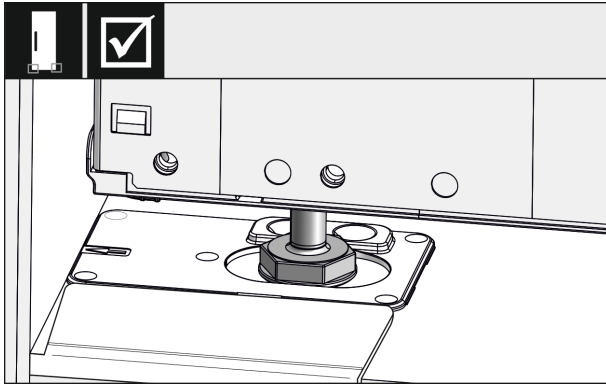


Fig. 30

- ▶ Insert the appliance all the way into the unit recess. The adjustable feet must rest in the recesses in the brackets on both sides.

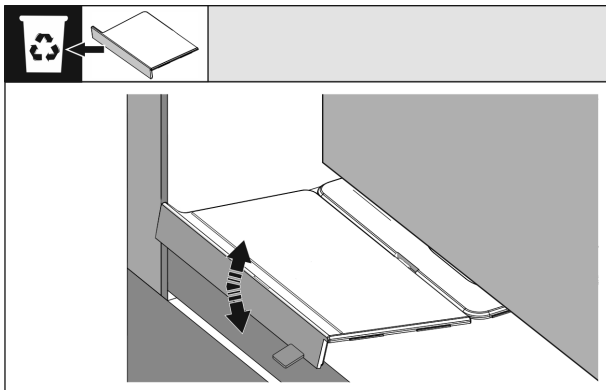


Fig. 31

- ▶ Remove the floor mounting bracket stopper. Loosen the stopper by moving it and, if necessary, pull it off using pliers.

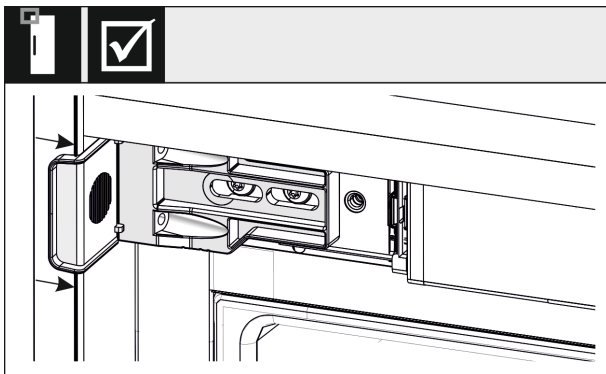


Fig. 32

- ▶ Check that the appliance is flush in the cabinet recess. The mounting bracket must be attached to the side wall of the cabinet recess.

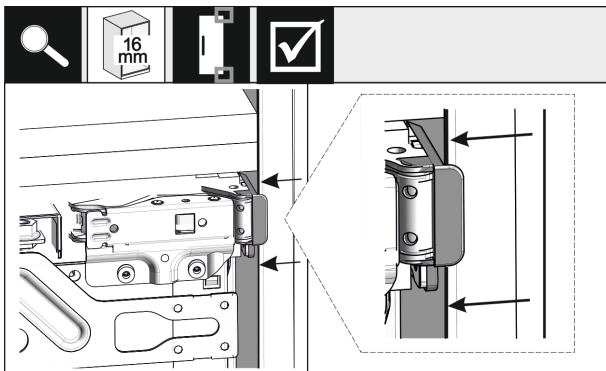


Fig. 33

- ▶ For unit side walls which are 16 mm thick, the spacers fit against the unit recess on the hinge side.

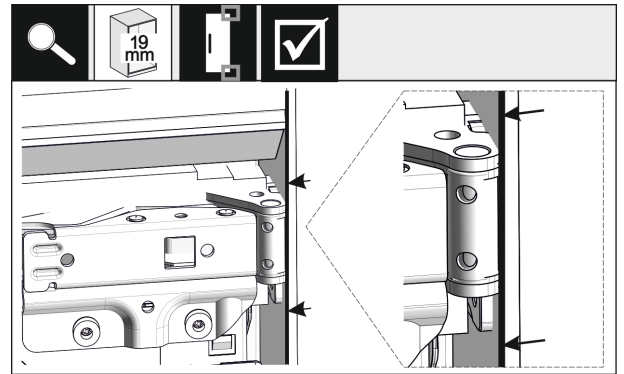


Fig. 34

- ▶ For unit side walls which are 19 mm thick, the front sides of the hinges are positioned flush against the front of the unit side wall.

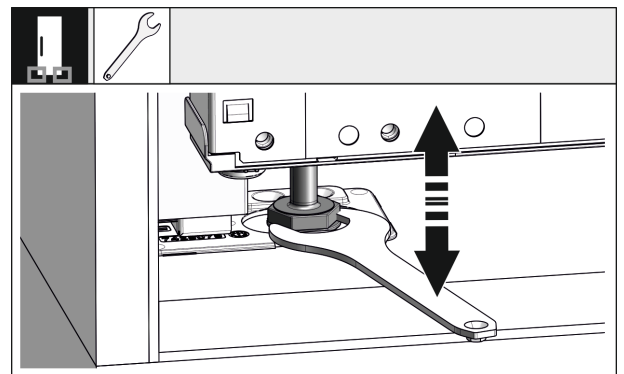


Fig. 35

- ▶ If necessary, use the adjustable feet to correct the tilt of the appliance.

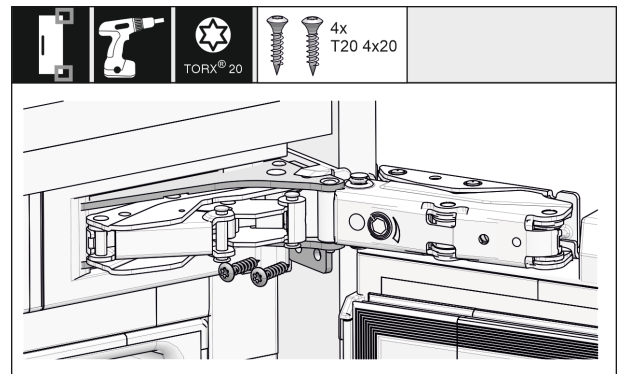


Fig. 36

- ▶ Screw on the appliance on the hinge side.

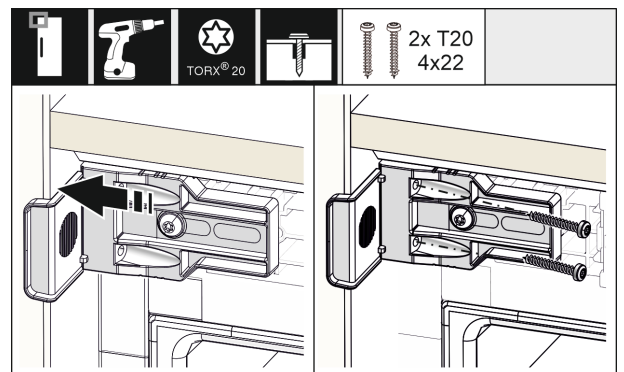


Fig. 37

Installing the appliance in the recess

- ▶ Move the bracket so it sits flush on the side wall of the cabinet recess. Tighten all the screws securely.

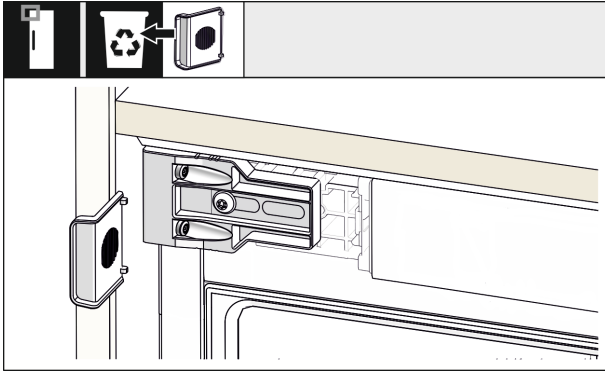


Fig. 38

- ▶ Break off the stop from the bracket on the handle side and dispose of it.

16.3 Temporarily fastening the knocking sensor

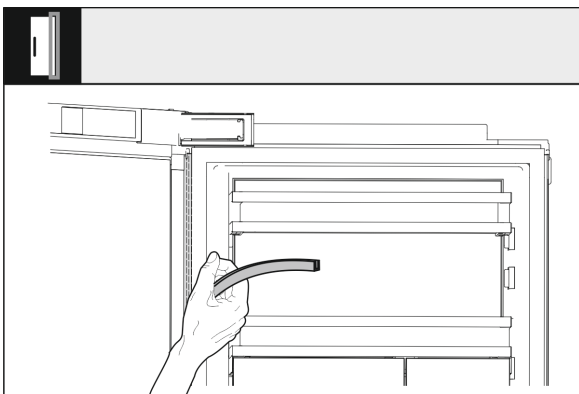


Fig. 39

- ▶ Pull off the cover of the cable duct and put it aside. The space behind the sealing strip is required for fitting the knocking sensor.

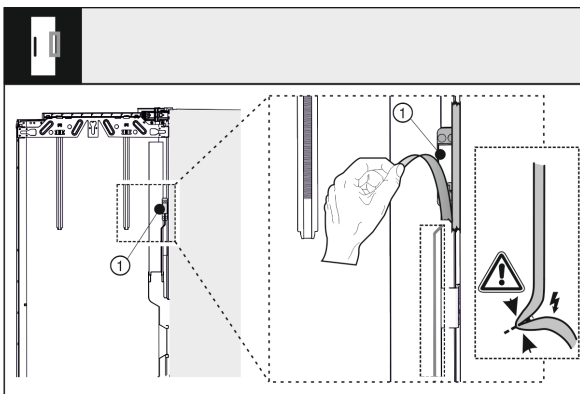


Fig. 40

- ▶ Detach the knocking sensor (1) from the outer door. Do not damage the connecting cable.

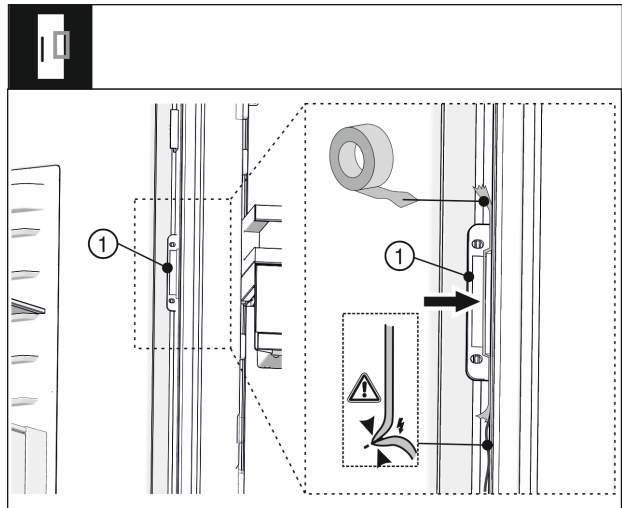


Fig. 41

- ▶ Position the knocking sensor (1) with adhesive tape so that the sensor cable is along the door and does not hang down. The knocking sensor will be screwed to the front of the cabinet later.

16.4 Inserting the covers and height adjuster

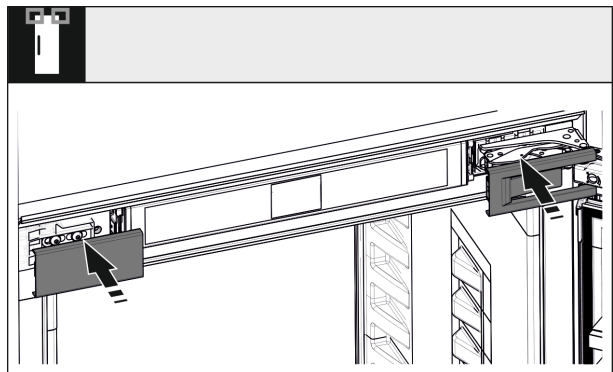


Fig. 42

- ▶ Put on the covers.

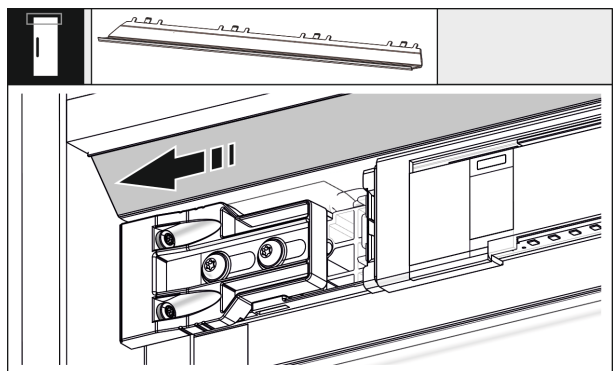


Fig. 43

- ▶ Slide the panel so that it sits flush with the side of the cabinet wall.

Installing the appliance in the recess

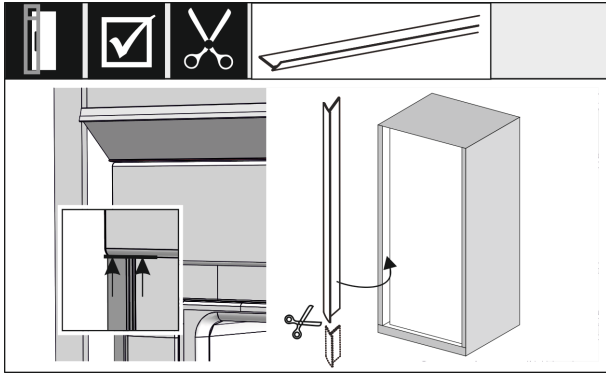


Fig. 44

- ▶ The sealing strip is magnetic. Position the sealing strip below the top cover and press it in. If necessary, shorten the sealing strip to the required length with a sharp pair of scissors.

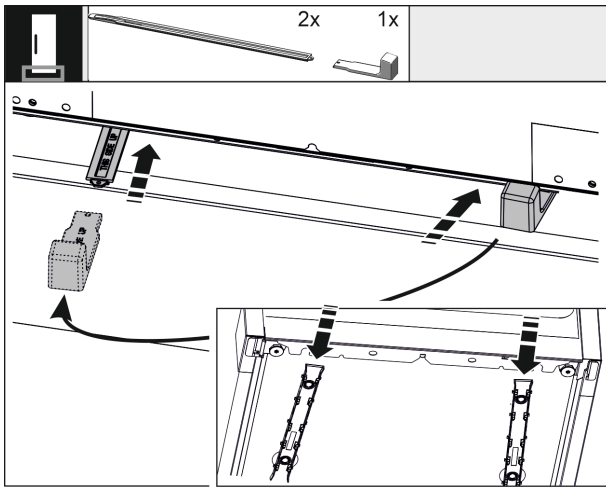


Fig. 45

The supplied height adjuster is used to optimize noise. Both parts of the height adjuster are included in the accessory kit.

- ▶ To stabilize the appliance at the back underneath: Fit the handle onto the rail of the height adjuster and push the rail into the appliance base. Remove the handle and do the same with the second rail.

16.5 Mounting the front of the cabinet

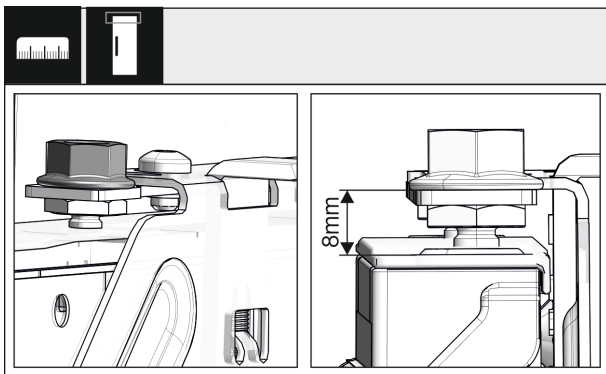


Fig. 46

- ▶ Close the door and check the preset of 8 mm from the upper edge of the appliance door to the crosspiece support

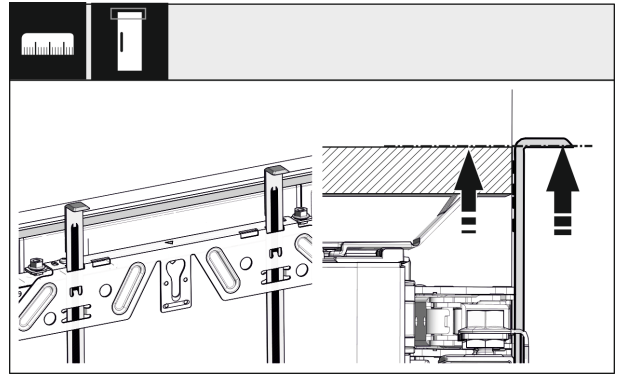


Fig. 47

- ▶ Push the fitting aids to the height of the custom door panel. The bottom of the fitting aid must be level with the top of the custom door panel to be mounted.

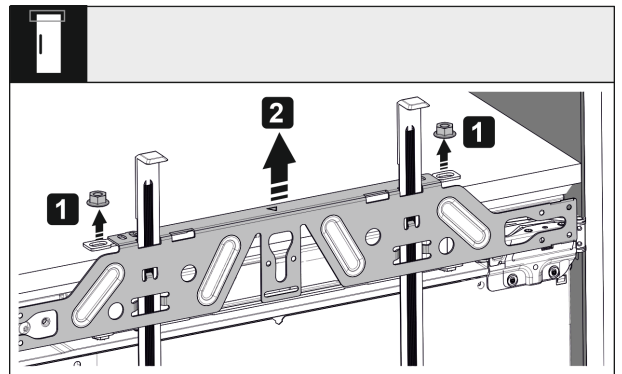


Fig. 48

- ▶ Loosen the counter nut and remove the crosspiece.

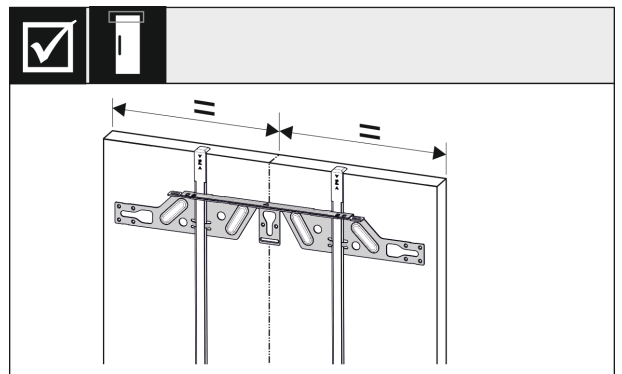


Fig. 49

- ▶ Hang the crosspiece on the inside of the custom door panel and make sure it is central.

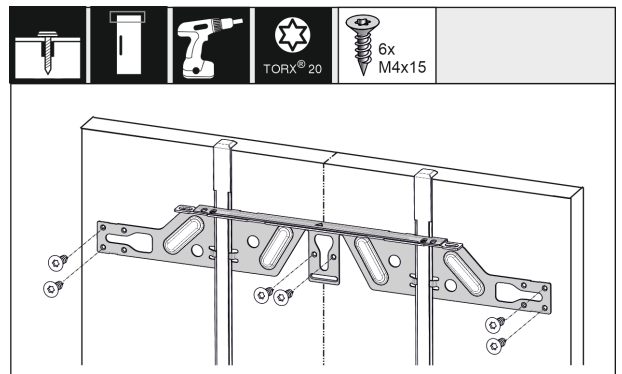


Fig. 50

- ▶ Fix the crosspiece using at least 6 screws for chipboard doors and at least 4 screws for panel doors.

Installing the appliance in the recess

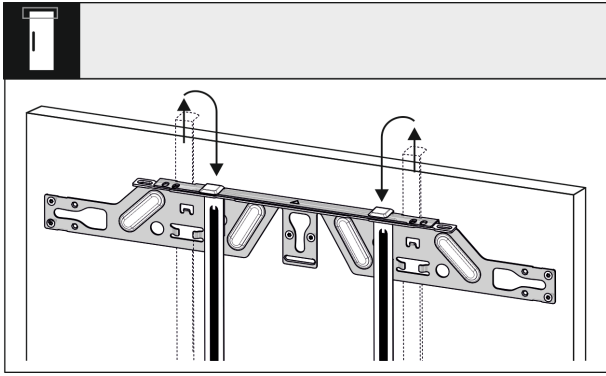


Fig. 51

- Pull out the fitting aids, turn them around and put them in the adjacent opening.

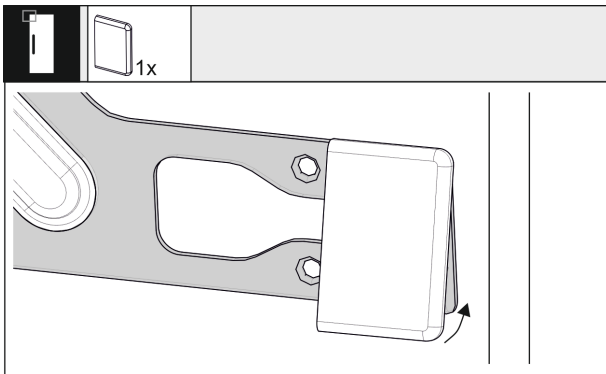


Fig. 52

- Clip the cover on the crosspiece on the handle side.

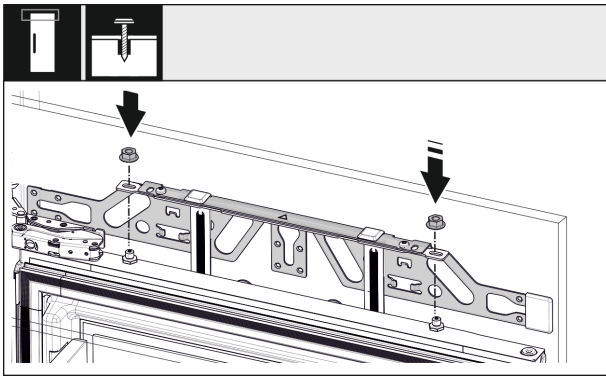


Fig. 53

- Attach the custom door panel and loosely screw the lock nuts onto the adjusting bolts.

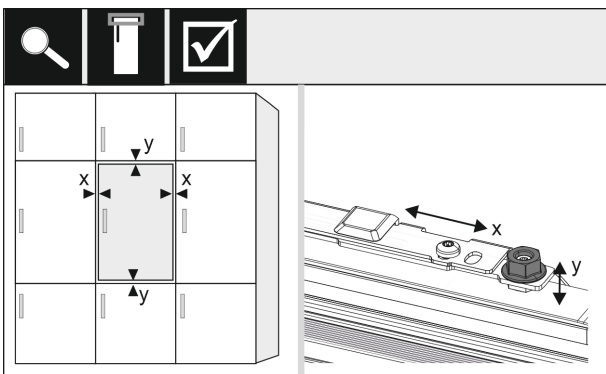


Fig. 54

- Align the custom door panel in the X and Y direction using the adjusting bolts.

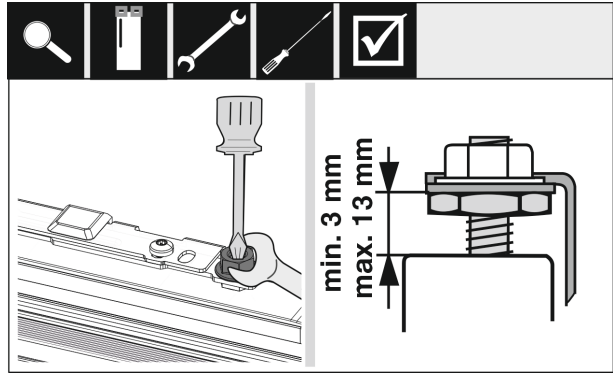


Fig. 55

- Screw on the lock nuts and check the height.

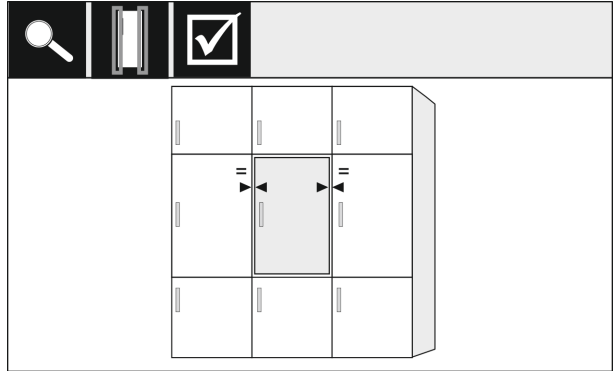


Fig. 56

- Check the gap between the door and the surrounding custom door panels. For unit fronts thicker than 19 mm, take account of the dimensions and advice in the **Unit fronts** section.

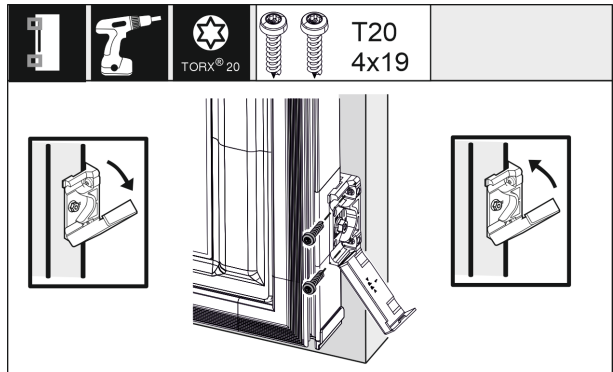


Fig. 57

- Open the cover to fit the mounting bracket on the custom door panel. Align the front edge of the mounting bracket parallel with the custom door panel edge and screw the bracket down tightly. Fold up the cover.

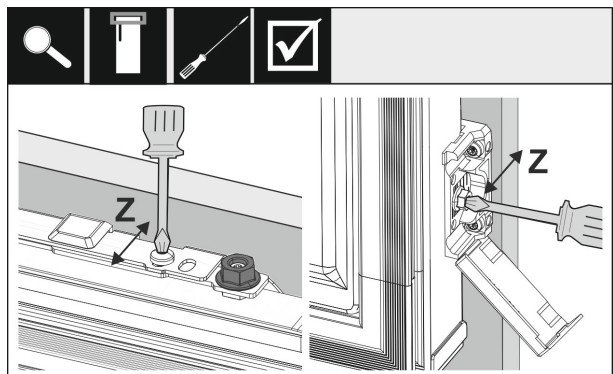


Fig. 58

Installing the appliance in the recess

Align the unit custom door panel the Z direction:

- ▶ Loosen the adjusting screw on the crosspiece and the screw on the mounting bracket.
- ▶ Move the door.

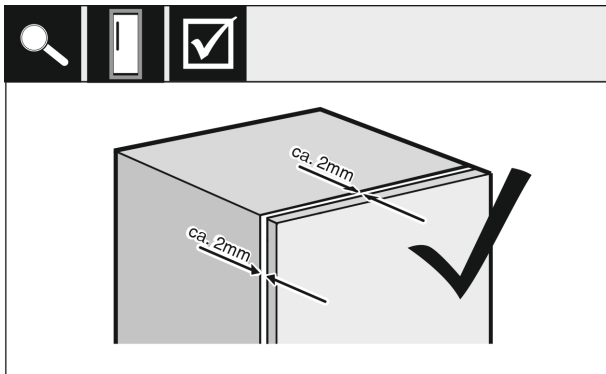


Fig. 59

- ▶ Check the gap between the custom door panel and the unit body.
- ▶ Check all screws and retighten them if necessary.

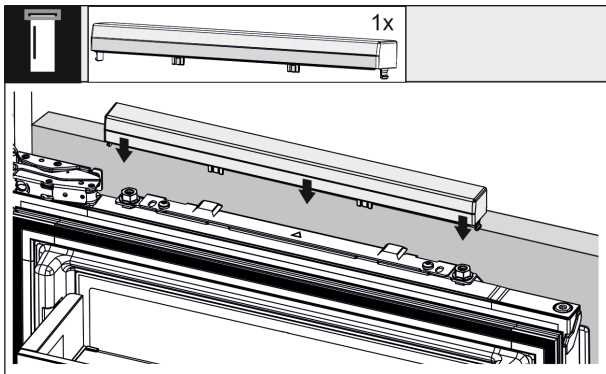


Fig. 60

- ▶ Clip the top cover on.

16.6 Fastening the knocking sensor

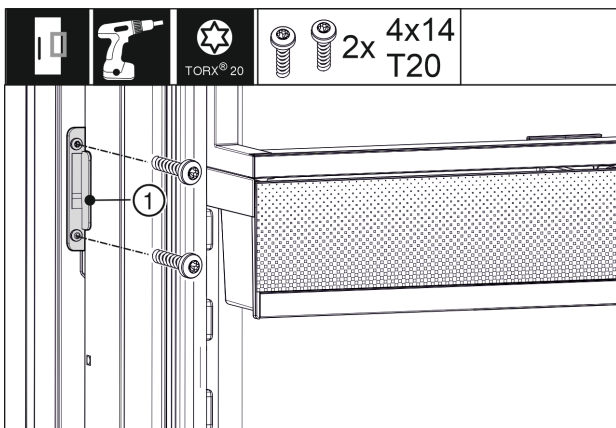


Fig. 61

- ▶ Screw the knocking sensor (1) to the front panel. Pull off the adhesive tape that you used to fasten the knocking sensor.

16.7 Fitting the sealing strip

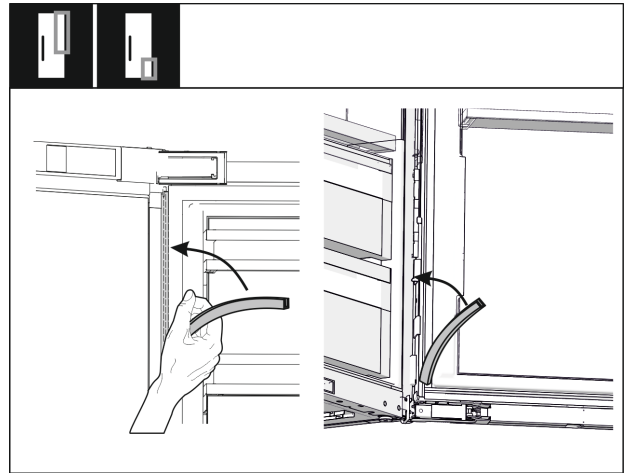


Fig. 62

- ▶ Put on the sealing strip back on at the top and bottom on the hinge side and press it in.

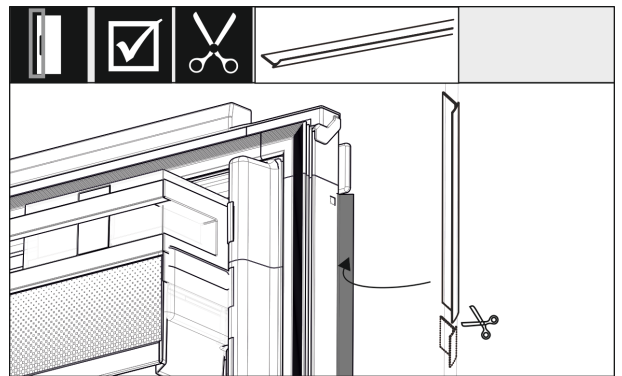


Fig. 63

- ▶ Adjust the sealing strip, cut it to length and put it in between the cabinet door and the appliance door.

16.8 Setting the sensitivity of the knocking sensor

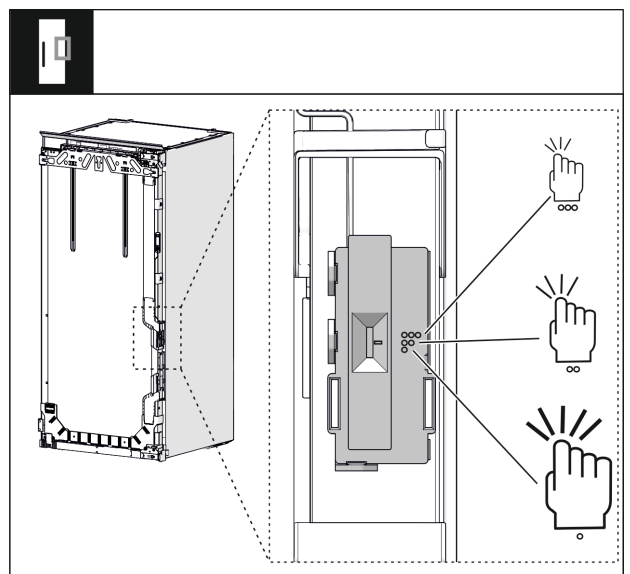


Fig. 64

The sensitivity of the knocking sensor can be adjusted. The adjustment is made using a switch. The switch is on the hinge side on the lower third of the door.

- Switch down - symbol 1 dot = low sensitivity, hard knocking required.
 - Switch in the middle - symbol 2 dots = medium sensitivity, less hard knocking required. This is the factory setting.
 - Switch up - symbol 3 dots = high sensitivity, gentle knocking sufficient.
- The setting can be changed later.

16.9 Checking the installation

- Check the following points to ensure the appliance is correctly installed. Otherwise, ice and condensation may form, and malfunctions may occur.
- ▷ The door must close properly.
 - ▷ The custom door panel must not touch the body of the unit.
 - ▷ The seal on the upper corner on the handle side must be fitted securely.

17 Cabinet fronts

17.1 Dimensions

Depending on your model, you will need one or two cabinet doors. The size of the cabinet door(s) depends on the overall recess size and cabinet unit thickness.

Note

Observe the appliance and recess dimensions and follow the installation diagrams. See the relevant catalog for the installation diagrams.

General requirements:

- Please refer to our catalogs for appliance-specific recommendations on size and weight for fixed door installations.
- The body of the unit should be at least 16 mm thick but not more than 19 mm.
- When mounting a 2-door cabinet door, observe the recommended clearance.

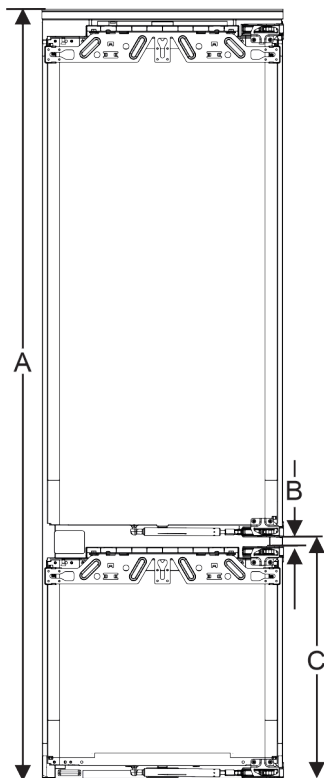


Fig. 65 Clearances for a 2-door cabinet door

Recess height 178-2 drawers	
Appliance height (A) (mm)	1770
Distance (B) (mm)	15
Clearance (C) door-on-door (mm)	549+15 (21 5/8 + 5/8)

Recess height 178-3 drawers	
Appliance height (A) (mm)	1770
Distance (B) (mm)	15
Clearance (C) door-on-door (mm)	695+15 (27 3/8 + 5/8)

Other cabinet door above, below or next to it:

- The vertical gap between custom panels must be 4 mm.
- The horizontal gap between custom panels must be 4 mm. Check the risk of them clashing here. (see 17.3 Setting the clearance to avoid collision)

Weight and hinges:

- Heavy cabinet fronts increase the stress on the hinge. The hinge may be damaged. As such, refer to the catalog for the maximum weight specification for your appliance.
- If the cabinet front exceeds the maximum permitted weight, an appliance with door-tracking device can help by loading the weight over several concealed hinges on the cabinet.
- If you use long unit fronts that protrude far above the appliances, we recommend an additional door hinge (e.g. Kamat), which must have the same pivot point as the fixed door hinge used with your appliance. By using another hinge (Kamat), the weight is shared over several points. The use of a milled compensating fastening is recommended for high unit fronts to counteract warping (convex/concave).

17.2 Mounting the cabinet front(s)

When installing, note:

- Cabinet front must be installed symmetrically to the refrigerator door.
 - Adjoining cabinet front is exactly level.
 - Adjoining cabinet front has the same edge radius as the front of the appliance.
 - Cabinet front is flat and tension-free.
 - The front panel has a minimum depth setting of approx. 2 mm to the body.
- Install the appliance in the recess.
- Fasten the front panel to the appliance door.
- Check that the front panel can close unobstructed. (see 17.3 Setting the clearance to avoid collision)

17.3 Setting the clearance to avoid collision

After installing the cabinet front(s), check that the cabinet fronts do not collide.

Water tank*

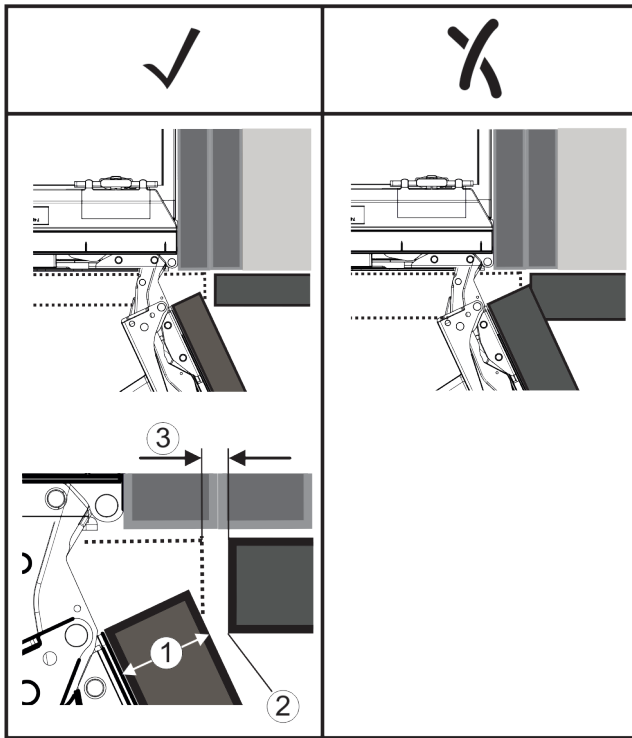


Fig. 66

- (1) Front thickness (FD) (3) Clearance size (S)
 (2) Edge radius (R)

FD(1) (mm)	R (2) = 0 mm		R = 1,2 mm		R = 2 mm		R = 3 mm	
	G _{min}	G _{max}	G _{min}	G _{max}	G _{min}	G _{max}	G _{min}	G _{max}
16	0,3	0,9	0,1	0,4	0,1	0,2	0,1	0,2
19	0,7	2,4	0,3	1,9	0,23	3,25	0,1	0,8
20	2	4,3	1,5	3,6	1	3,1	0,6	2,7
22	3,5	6,3	3	5,6	2,6	5,3	2,1	4,6
24	5,5	8,3	5	7,8	4,5	7,4	4	6,9
26	7,6	10,7	7	10,3	6,6	9,9	6,2	9,4

Fig. 67 Table of clearance limits

G_{min} = min. clearance in mm

G_{max} = max. clearance in mm

Note

When making adjustments, always make sure that the cabinet front suits the general appearance.

Check the collision factors and adjust them accordingly:

- ▶ Determine the front thickness and edge radius.
- ▶ Refer to the table for the min./max. clearance dimensions.
- ▶ Check the clearance size against the table.
- ▶ Do one of the following depending on the measured clearance size.

Clearance size	Description
$S > G_{max}$	If the clearance size is greater than the two limits, you do not need to make any adjustments.
$S < G_{min}$	If the clearance size is below the limits, you must increase it. Another option is to increase the edge radius.
$G_{min} \leq S \leq G_{max}$	If the clearance is between the two limits, you have to be careful. This will quickly lead to collisions.

18 Water tank*

Depending on your model, the InfinitySpring water tank is behind the lowest drawer in the fridge or BioFresh compartment

18.1 Inserting the water tank

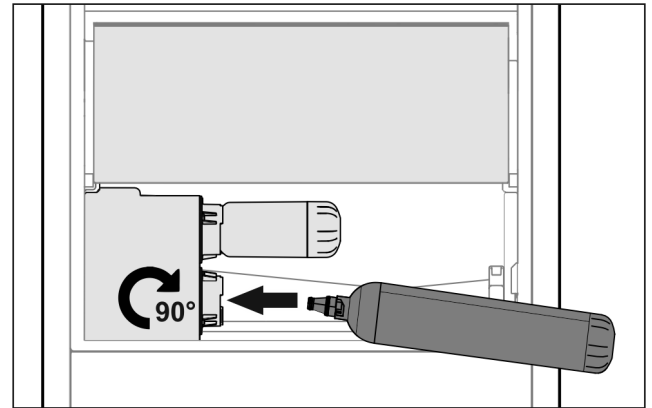


Fig. 68

- ▶ Remove the drawer.
- ▶ Insert the water tank and turn approx. 90° to the right until it engages.
- ▶ Check that the water tank is sealed and no water leaks out.
- ▶ Insert the drawer.
- ▶ Vent the water system (see Installation Instructions, Water Connection)

Instead of the water filter, you can use an additional water tank.

Note

The water tank is available as a spare part.

19 Water filter*

Depending on your model, the water filter is behind the lowest drawer in the fridge or BioFresh compartment.

It absorbs deposits in the water and reduces the taste of chlorine.

- Replace the water filter at least every 6 months under the specified usage conditions or if the flow rate drops significantly.
- The water filter contains carbon and can be disposed of with the regular household waste.

Note

The water filter can be purchased from the Liebherr-Hausgeräte store at home.liebherr.com/shop/de/deu/zubehor.html.

19.1 Installing the water filter

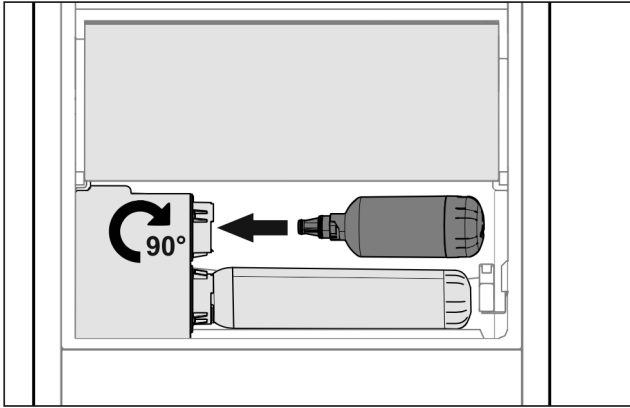


Fig. 69

- ▶ Remove the drawer.
- ▶ Insert the water filter and turn clockwise approx. 90° until it engages.
- ▶ Make sure the filter does not leak and no water is coming out.
- ▶ Insert the drawer.



CAUTION

New water filters may contain particulate matter.

- ▶ Draw 3 l of water from the InfinitySpring and dispose of it.

▷ The water filter is now ready for use.

20 Connecting the appliance



WARNING

Danger of fire due to incorrect connection!

Burns.

Damage to the appliance.

- ▶ Do not use an extension cord.
- ▶ Do not use a multipoint connector strip.

NOTICE

Danger of damage to incorrect connection!

Damage to the appliance.

- ▶ Do not connect the appliance to a stand-alone inverter, e.g. solar power systems and petrol generators.

Note

Only use the mains cable supplied.

- ▶ A longer mains cable can be ordered from Customer Service.

Make sure that the following requirements are fulfilled:

- The type of current and voltage at the installation site complies with the information on the serial tag .
- The socket is grounded and fused in accordance with regulations.
- The tripping current for the fuse is between 10 and 16 A.
- The socket is easily accessible.
- ▶ Check the electrical connection.
- ▶ Connect the mains plug to the power supply.
- ▷ The Liebherr logo appears on the screen.
- ▷ The display switches to the standby symbol.



home.liebherr.com/fridge-manuals

EN Refrigerators and freezers for integrated use, door-on-door

Issue date: 20240404

Part number index: 7088422-00

Liebherr-Hausgeräte GmbH
Memminger Straße 77-79
88416 Ochsenhausen
Deutschland



Installation Guide

Quality, Design and Innovation



home.liebherr.com/fridge-manuals




LIEBHERR


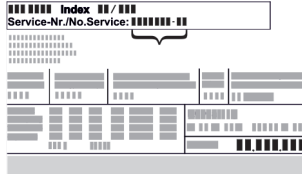
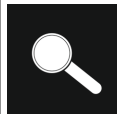



General safety instructions

Contents

1	General safety instructions.....	2
2	Setup conditions.....	3
2.1	Space.....	3
2.2	Setting up multiple appliances.....	3
2.3	Electrical connection.....	4
3	Appliance dimensions.....	4
4	Recess dimensions.....	4
4.1	Internal dimensions.....	4
5	Ventilation requirements.....	5
6	Custom panel weights.....	5
6.1	Weight.....	5
7	Water connection*.....	5
7.1	Dimensions for the water connection.....	5
7.2	Water pressure.....	5
8	Transporting the appliance.....	5
9	Unpacking the appliance.....	5
10	Setting up the appliance.....	6
10.1	After setup.....	6
11	Disposal of packaging.....	6
12	Explanatory symbols used.....	6
13	**** freezer compartment door*.....	7
13.1	Moving the door hinge.....	7
14	Reversing the door.....	7
15	Connecting the appliance to the water supply*..	7
15.1	Connecting the hose.....	8
15.2	Check the water system.....	8
16	Installing the appliance in the recess.....	8
16.1	Preparing the recess and the appliance.....	10
16.2	Aligning the appliance in the recess.....	11
16.3	Temporarily fastening the knocking sensor.....	13
16.4	Inserting the covers and height adjuster.....	13
16.5	Mounting the front of the cabinet.....	14
16.6	Fastening the knocking sensor.....	16
16.7	Fitting the sealing strip.....	16
16.8	Setting the sensitivity of the knocking sensor.....	16
16.9	Checking the installation.....	17
17	Cabinet fronts.....	17
17.1	Dimensions.....	17
17.2	Mounting the cabinet front(s).....	17
17.3	Setting the clearance to avoid collision.....	17
18	Water tank*.....	18
18.1	Inserting the water tank.....	18
19	Water filter*.....	18
19.1	Installing the water filter.....	19
20	Connecting the appliance.....	19

The manufacturer is constantly working to improve all types and models. Therefore, please be aware that we reserve the right to make changes to the shape, equipment and technology.

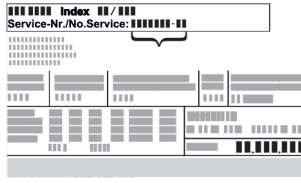
Symbol	Explanation
	Read instructions Please read the information in these instructions carefully to understand all of the benefits of your new appliance.

Symbol	Explanation
	Additional information online The digital manual with supplemental information and in additional languages can be found online by scanning the QR code on the front page of this manual or by entering the service number at home.liebherr.com/fridge-manuals . The service number can be found on the serial tag:  <i>Fig. Example illustration</i>
	Check appliance Check all parts for transport damage. If you have any complaints, please contact your agent or customer service.
	Differences These instructions apply to a range of models, so there may be differences. Sections that apply to certain models only are indicated by an asterisk (*).
	Instructions and results Instructions are marked with a ▶. Results are marked with a ▷.
	Videos Videos about the appliances are available on the YouTube channel of Liebherr-Hausgeräte.

1 General safety instructions

- Please keep this assembly manual in a safe place so you can refer back to it at any time.
- If you pass the appliance on, please hand this assembly manual to the new owner.
- Read this assembly manual before installation and use in order to use the appliance safely and correctly. Follow the instructions, safety instructions and warning messages included at all times. They are important for ensuring you can operate and install the appliance safely and without any problems.
- First read the general safety instructions in the “General safety instructions” section of the **operating instructions**, which accompany these installation instructions, and follow them. If you cannot find the **operating instructions**, you can download the **operating instructions** from the internet by entering the service number at home.liebherr.com/fridge-manuals. The

service number can be found on the serial



tag:

- **Observe the warning messages and other detailed information in the other sections when installing the appliance:**

	DANGER	indicates a hazardous situation, which if not avoided, will result in death or serious injury.
	WARNING	indicates a hazardous situation, which if not avoided, could result in death or serious injury.
	CAUTION	indicates a hazardous situation, which if not avoided, will result in minor or moderate injury.
	NOTICE	indicates a hazardous situation, which if not avoided, could result in damage to property.
	Note	indicates useful advice and tips.

2 Setup conditions



WARNING

Risk of fire due to moisture!

If live parts or the power cord get wet, this can cause a short circuit.

- ▶ The appliance is designed for use in enclosed spaces. Do not operate the appliance in open space or in damp areas or where there is spray.

Normal use

- Only set up and use the appliance in enclosed spaces.
- Only use once installed.

2.1 Space



WARNING

Leaking refrigerant and oil!

Fire. The refrigerant contained within the appliance is environmentally friendly, but flammable. The oil contained within the appliance is flammable. Escaping refrigerant and oil can ignite if they are of high enough concentration and are exposed to an external heat source.

- ▶ Do not damage the pipelines of the coolant circuit and the compressor.

- If the appliance is installed in a very damp environment condensate water may form on the outside of the appliance.

Always ensure sufficient airflow and ventilation in the setup location.

- The more refrigerant there is in the appliance, the larger the space that it is installed in must be. If the space is too small, any leak may create a flammable mixture of gas and air. For every 8 g of refrigerant, the installation space must be at least 1 m³. Specifications on the refrigerant in the appliance can be found on the serial tag plate inside the appliance.

2.1.1 Installation surface

- The floor of the installation site must be horizontal and level.
- If you are installing the unit in a cabinet standing on an uneven floor: level the cabinet.

2.1.2 Installation position

- Do not install the appliance in an area with direct sunlight, next to a heating unit or similar.
- You can install the appliance directly next to an oven.
- If you install the appliance directly next to an oven, its energy consumption may increase slightly. This depends on the service life and how often the oven is used.
- Only install the appliance in solid cabinets.

Note

A set for restricting the door opening angle to 90° can be acquired from Customer Services for appliances with soft closing.

2.2 Setting up multiple appliances

NOTICE

Risk of damage caused by water condensate!

- ▶ Do not install this device directly beside another fridge/freezer compartment.

NOTICE

Risk of damage caused by water condensate!

- ▶ Do not stack the appliance directly on top of another.

These appliances are designed for different types of installation. Only combine appliances if the appliances are designed for this. The following table shows the installation options by model:

Setup type	Model
Single	All models
Side-by-Side (SBS)	Model that start with S...
Stacked	Models up to a maximum recess height of 880 mm and with a heated cover can be "stacked". Upper appliance: up to a maximum recess height of 140 mm

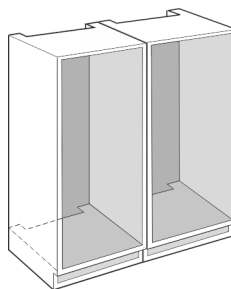


Fig. 1

Install each appliance into its own recess.

Appliance dimensions

2.3 Electrical connection



WARNING

Danger of fire due to incorrect positioning!
If the power supply cable or plug touches the back of the appliance, the vibration can damage the power supply cable or the plug resulting in a short circuit.

- ▶ Make sure the power supply cable is not trapped under the appliance when you position the appliance.
- ▶ Install the appliance so that it does not touch any plugs or power cables.
- ▶ Do not connect any appliances to sockets in the area of the back of the appliance.
- ▶ Do **not** place and operate power strips/power distributors and other electronic devices (such as halogen transformers) at the back of the appliances.

3 Appliance dimensions

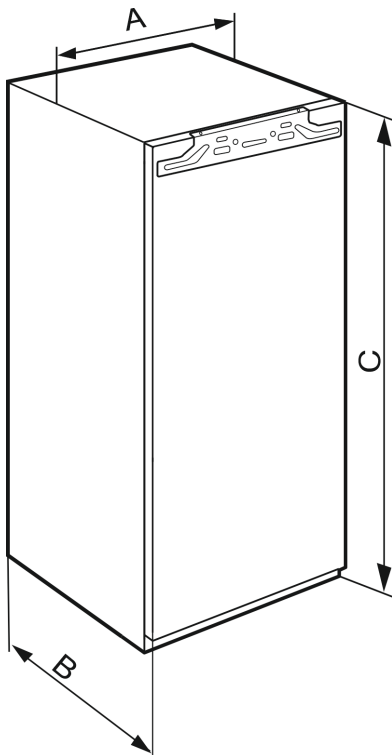


Fig. 2

	A	B	C
IRBAb 4170			1213 mm
IRBAc 5171 / IRBAAd 5190 / SIFNAd 5188	559 mm	546 mm	1770 mm

4 Recess dimensions

4.1 Internal dimensions

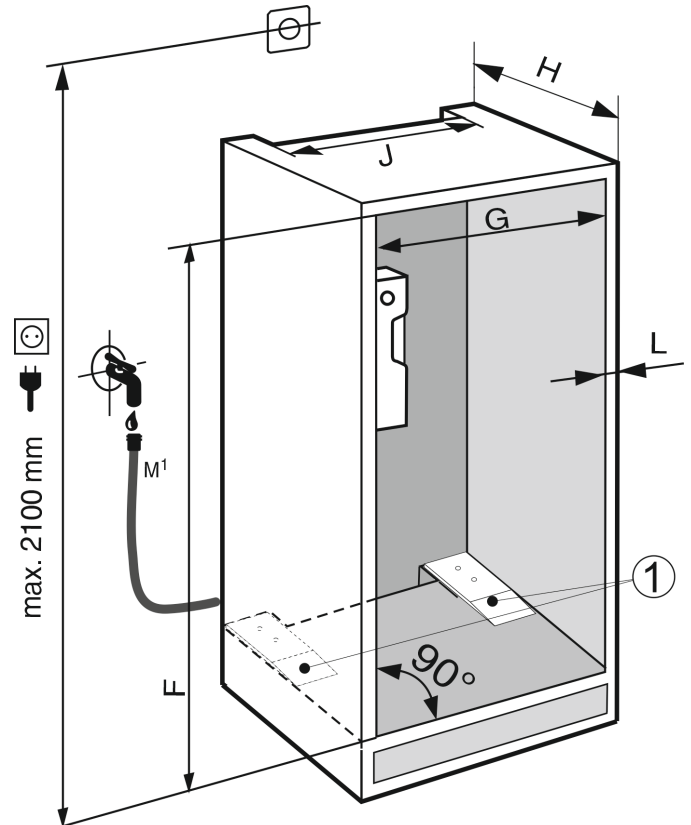


Fig. 3

Note

Functionally relevant: Fitting spacer plates (1).

IRBAb 4170	
F (mm)	1220 to 1236
G (mm)	560 to 570
H (mm)	min. 555, recommended 560
J (mm)	min. 500
L (mm)	max. 19

IRBAc 5190 / IRBAc 5171 / SIFNAd 5188	
F (mm)	1777 to 1793
G (mm)	560 to 570
H (mm)	min. 555, recommended 560
J (mm)	min. 500
L (mm)	max. 19

The specified energy consumption was determined with a kitchen unit depth of 560 mm . The appliance will work properly at a kitchen unit depth of 550 mm , but with a slightly higher energy consumption.

- ▶ Check the wall thickness of adjacent units: It must be a minimum of 16 mm .
- ▶ Only fit the appliance into stable, solid kitchen units. Secure the unit against tipping.
- ▶ Align the cabinets with a level and a try square. If necessary, level them by putting something underneath them.

- ▶ Make sure floor and the side panels of the cabinet are at right angles to each other.

5 Ventilation requirements

NOTICE

Covered vents!

Damage. Appliance can overheat, which can reduce the service life of various parts of the appliance and lead to functional impairments.

- ▶ Always ensure good ventilation.
- ▶ Always keep vents or ventilation grills in the appliance housing and in the kitchen structure (built-in appliance) unobstructed.
- ▶ Never block air vents of the fan.

Comply with the ventilation gaps:

- The depth of the ventilation shaft at the back of the cabinet must be at least 38 mm.
- At least 200 cm² is required for the ventilation gap cross sections in the plinth and the housing cabinet.
- Basically, the larger the ventilation cross-section, the more efficiently the appliance will run.

Sufficient ventilation is required for the operation of the appliance. The ventilation grids provided ensure an effective ventilation cross-section on the appliance of 200 cm². If you replace the ventilation grids with a cover plate the ventilation cross-section must be as least as large as the ventilation grid provided by the manufacturer.

6 Custom panel weights

6.1 Weight

NOTICE

An excessively heavy custom panel can potentially cause damage!

If the custom panel is too heavy, damage to the hinges cannot be ruled out, which may compromise the functionality of the unit.

- ▶ Before installing the custom panel, ensure the custom panel does not exceed the permissible weight.

Recess height (mm)	Appliance type	Maximum weight of the custom panel (kg)
1220	IRBA..41..	19
1780	IRBA..51.. SIFNA..51..	26

Single-door fridges and freezers

7 Water connection*

If your appliance has a fixed water connection, a hose is supplied with it.

Note

You can purchase a hose of a different length as an accessory.

Overview of dimensions for the water connection:	(see 7.1 Dimensions for the water connection)
Requirements for the water pressure:	(see 7.2 Water pressure)

Make the water connection:	(see 15 Connecting the appliance to the water supply*)
----------------------------	--

7.1 Dimensions for the water connection

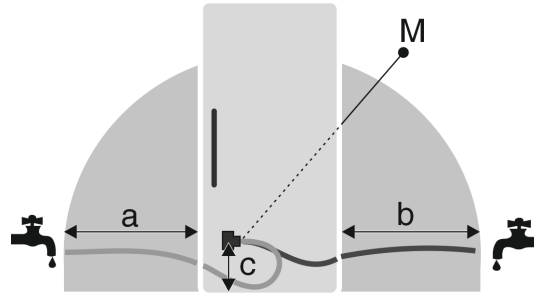


Fig. 4

- (a) Maximum available hose length
- (b) Maximum available hose length
- (c) Distance of solenoid valve to floor
- (M) Solenoid valve

a	b	c
~ 1200 mm	~ 1200 mm	~ 55 mm

7.2 Water pressure

The water connection line and solenoid valve of the appliance are suitable for a water pressure of up to 1 MPa (10 bar).

To ensure that the appliance functions correctly (flow rate, ice cube size, noise level), maintain the following water pressure:

Water pressure:	
bar	MPa
1.5 to 6.2	0.15 to 0.62

Water pressure if using the water filter:*	
bar*	MPa*
2.8 to 6.2	0.28 to 0.62

If the pressure is higher than 6.2 bar:

- ▶ Connect a pressure reducer.
- ▶ Make the water connection. (see 15 Connecting the appliance to the water supply*)

8 Transporting the appliance

Observe the following when transporting the appliance:

- ▶ Transport the appliance upright.
- ▶ Use two people when transporting the appliance.

During the first use:

- ▶ Transport the appliance packaged.

During appliance transport or at first use (e.g. when moving or cleaning):

- ▶ Empty the appliance.
- ▶ Secure the door against undesired opening.

9 Unpacking the appliance

If the appliance is damaged check with the supplier immediately before connecting it.

Setting up the appliance

- ▶ Check the appliance and packaging for damage during transport. If you suspect any damage, please contact your supplier immediately.
- ▶ Remove all materials that could prevent it from being installed properly or prevent proper ventilation from the back or the side panels of the appliance.
- ▶ Remove all protective films from the appliance. Do not use sharp or pointed objects for this.

10 Setting up the appliance



CAUTION

Risk of injury due to heavy appliance!

- ▶ Have two people transport the appliance to its installation site.



WARNING

Danger of injury and damage due to the appliance being unstable!

The appliance can tip over.

- ▶ Secure the appliance as described in the instructions.



WARNING

Danger of fire and damage!

- ▶ Do not place devices that give off heat, e.g. microwaves, toasters, etc. on the appliance.

If possible, have a professional install the appliance in your kitchen cabinet unit.

Do not install the appliance without assistance.

10.1 After setup

- ▶ Remove all transport packaging.

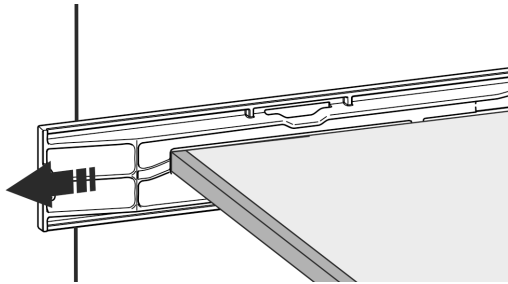
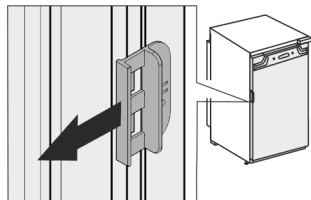


Fig. 5

- ▶ Pull off the transport lock on the appliance door.



- ▶ Clean the appliance (see User Guide, Cleaning the appliance).

11 Disposal of packaging



WARNING

Danger of suffocation from packaging materials and films!

- ▶ Do not allow children to play with packaging materials.













The packaging is made from recyclable materials:

- Corrugated card/cardboard
 - Parts made of foamed polystyrene
 - Films and bags from polyethylene
 - Packing bands from polypropylene
 - Wood frame nailed together with a polyethylene window*
- ▶ Take the packaging material to an official collection point.

12 Explanatory symbols used

	There is the risk of injury when doing this! Obey the safety instructions!
	These instructions apply to several models. Only perform this step if it applies to your appliance.
	To install, please follow the detailed description in the Guide.
	This section applies either to a single-door appliance or a double-door appliance.
	Choose one of the options: Appliance with right-hinged door or appliance with left-hinged door.
	Installation step necessary with IceMaker and/or InfinitySpring.
	Loosen or tighten screws slightly.
	Tighten the screws fully.
	Check to see if the next step applies for your model.
	Check the components are in correctly.
	Measure the specified measurement and adjust if necessary.
	Installation tool: Meter stick

**** freezer compartment door*

	Tool for assembly: Cordless screwdriver and attachments
	Tool for assembly: Spirit level
	Tool for assembly: Size 7 and size 10 spanner
	Two people are required for this step.
	This step takes place at the selected location of the appliance.
	Aid for assembly: String
	Aid for assembly: Square
	Aid for assembly: Screwdriver
	Aid for assembly: Scissors
	Aid for assembly: Non-permanent marker pen
	Accessory kit: Remove components
	Dispose of components that are no longer needed.

13 **** freezer compartment door*

It is very easy to reposition the hinge of the **** freezer compartment door if the main door hinge is swapped. If the main door of the appliance can be opened to more than 115° (1), you can open the freezer compartment without repositioning the hinge. If the opening angle (2) of the appliance door is less than this, the hinge must be repositioned.

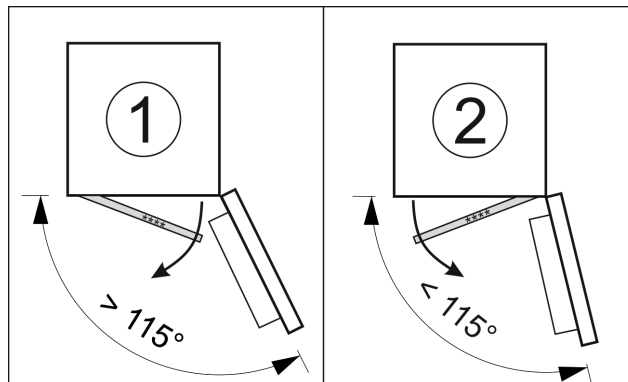


Fig. 6

13.1 Moving the door hinge

The slider for moving the door hinge is located on the back of the **** freezer compartment door at the bottom.

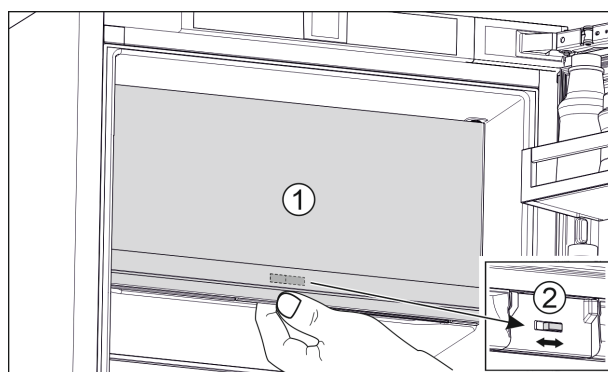


Fig. 7

- ▶ Close the **** freezer compartment door (1).
- ▶ Grab the **** freezer compartment door from below.
- ▶ Move the slider (2) either to the right or to the left.

14 Reversing the door

A separate accessory kit is available from customer service for reversing the door hinge.

Liebherr recommends:

- ▶ Have the door hinge reversed by a service technician.

15 Connecting the appliance to the water supply*

Make sure that the following requirements are fulfilled:

- The dimensions for the water supply connection are known and complied with. (see 7.1 Dimensions for the water connection)
- The correct water pressure is maintained. (see 7.1 Dimensions for the water connection)
- Water is supplied to the appliance via a cold water pipe that can withstand the operating pressure and is connected to the drinking water supply.
- All equipment and devices used for the water supply comply with the applicable regulations in the country of use.
- The back of the appliance is accessible so that you can connect the appliance to the drinking water supply.
- You are using the supplied hose. Old hoses have been disposed of.
- The hose connector contains a screen filter with a seal.

Installing the appliance in the recess

- ❑ There is a faucet between the hose line and the domestic water connection so that you can turn off the water supply if necessary.
- ❑ The faucet is not directly behind the appliance and is easily accessible. This way, you can push the appliance as far as possible into the cabinet recess and can quickly turn off the faucet if necessary.



WARNING

Risk of electric shock from water!

- ▶ Before connecting to the water hose: Disconnect the appliance from the mains.
- ▶ Before connecting to water lines: Shut off the water supply.
- ▶ Make sure that only qualified personnel connect the device to the drinking water supply.



WARNING

Risk of poisoning due to contaminated water!

- ▶ Connect to potable water supply only.

15.1 Connecting the hose

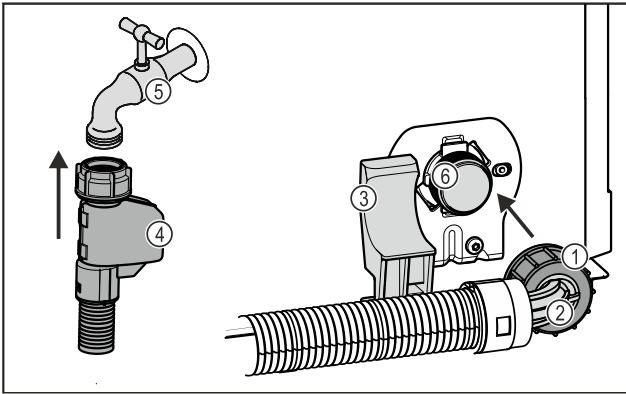


Fig. 8

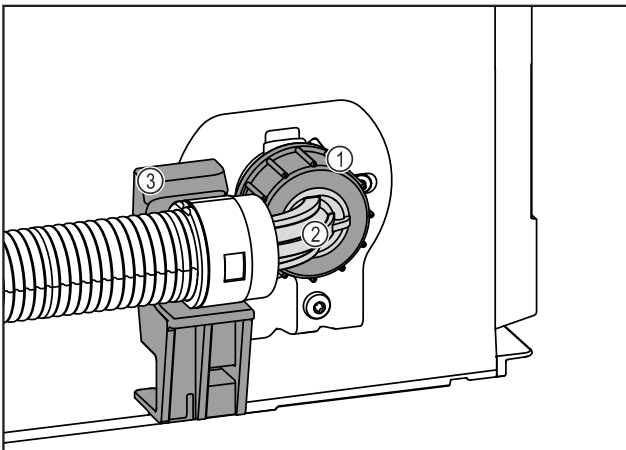


Fig. 8

- | | |
|---------------------|---|
| (1) Nut | (4) Straight hose end |
| (2) Angled hose end | (5) Faucet |
| (3) Bracket | (6) Solenoid valve: The solenoid valve is at the bottom on the back of the appliance. It has an R3/4 connecting thread. |

NOTICE

Risk of damage from incorrect installation!

- ▶ Do not damage or kink the hose.
- ▶ Do not damage or kink the hose during installation in the cabinet recess.

Connecting the hose to the appliance:

- ▶ Position and hold the angled hose end Fig. 8 (2) horizontally on the bracket Fig. 8 (3).
- ▶ Screw on the nut Fig. 8 (1) on by hand until it is firmly in place.
- ▷ The hose is connected to the appliance.

Connecting the hose to the faucet:

- ▶ Connect the straight hose end Fig. 8 (4) to the faucet Fig. 8 (5).
- ▷ The hose is connected to the faucet.

15.2 Check the water system

Before you completely install the appliance in the cabinet recess, Liebherr recommends checking the water system for leaks.

- ▶ Put in the InfinitySpring water tank. (see 18 Water tank*)
- ▶ Put in the InfinitySpring water filter. (see 19 Water filter*)
- ▶ Slowly turn on the faucet.
- ▶ Check the hose, water feed and connections for leaks.
- ▷ The water system has now been checked for leaks.
- ▷ The water system is not leaking: You can install the appliance completely in the cabinet recess.

Note

InfinitySpring: Before the first use, you must put the InfinitySpring into operation. To do this you must bleed and clean the water system. (see Quick Start Guide or operating instructions)*

IceMaker: Before the first use, you must clean the IceMaker. (see Quick Start Guide or operating instructions)*

16 Installing the appliance in the recess

The appliance is installed using the following main steps:

1. Have your tools ready. Fig. 9 ()
2. Check the assembly parts in the accessory kit. Fig. 10 () to Fig. 16 ()
3. Prepare the recess and the appliance.
4. Align the appliance in the recess.
5. Temporarily fasten the knocking sensor.
6. Put in the covers and height adjuster.
7. Mount the front of the cabinet.
8. Fasten the knocking sensor.
9. Fit the sealing strip.
10. Set the sensitivity of the knocking sensor.
11. Check the installation.

Tools

Installing the appliance in the recess

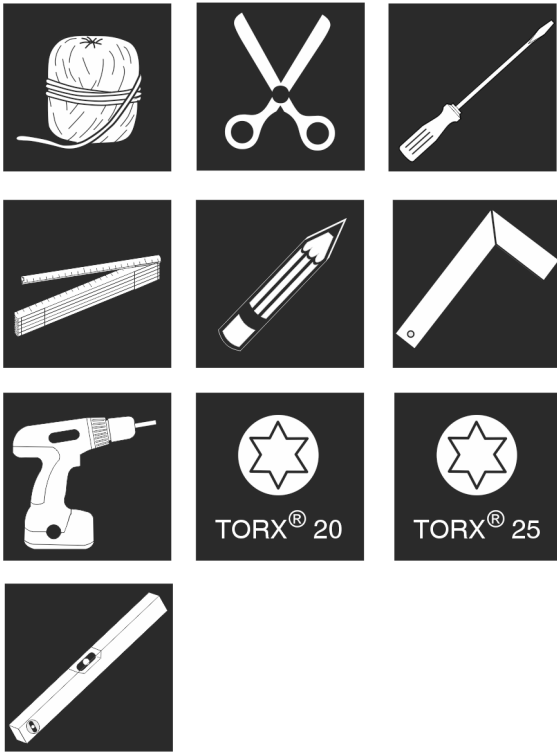


Fig. 9

Assembly parts in the accessory kit Fig. 10 () to Fig. 16 ()

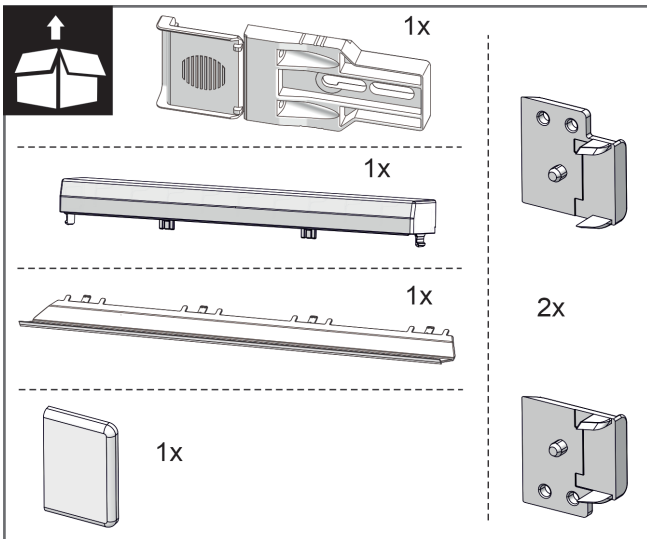


Fig. 10

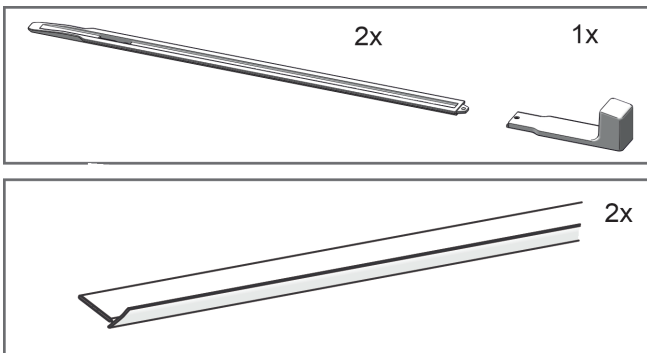


Fig. 11

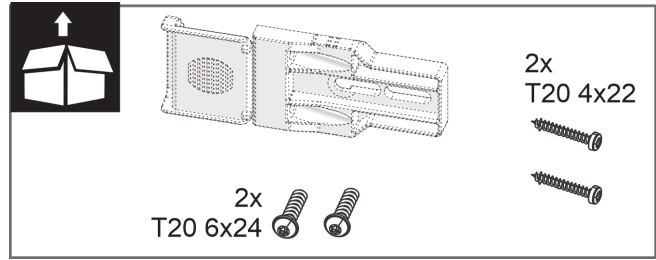


Fig. 12

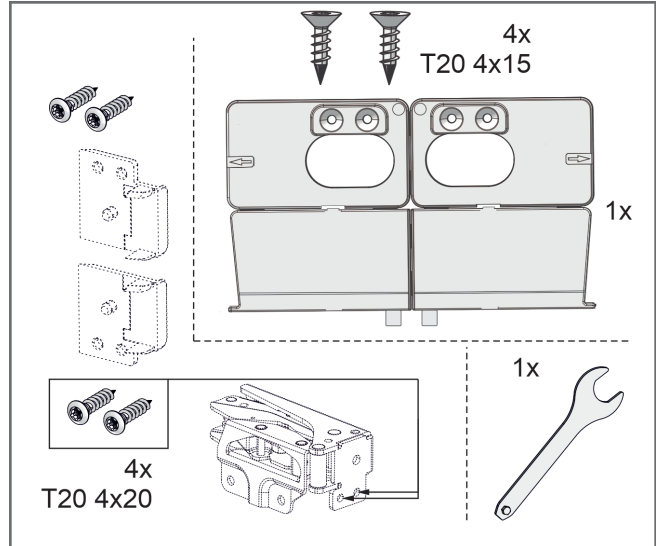


Fig. 13

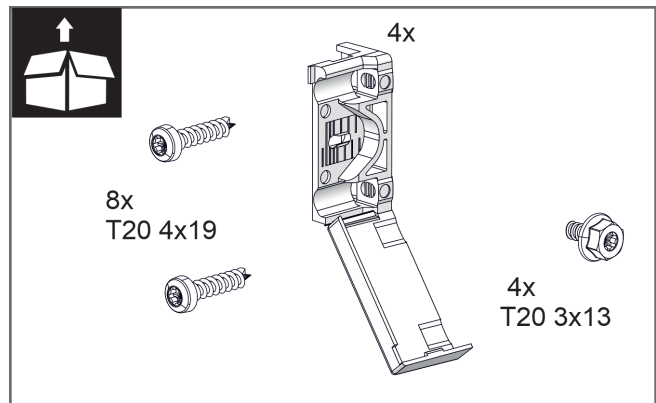


Fig. 14

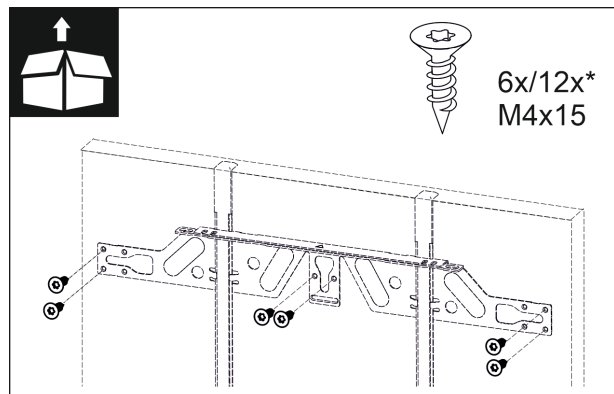


Fig. 15

Installing the appliance in the recess

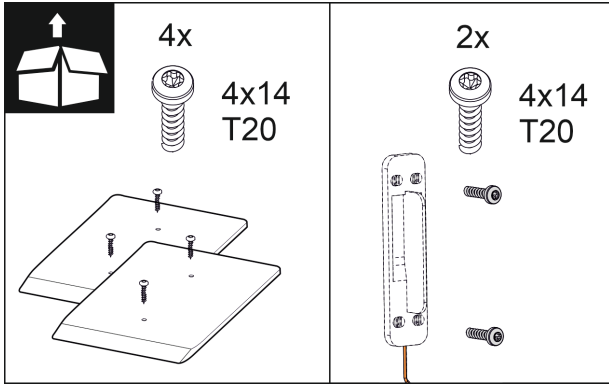


Fig. 16

16.1 Preparing the recess and the appliance

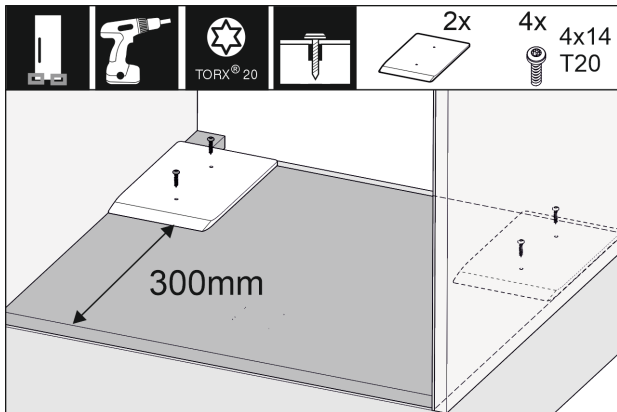


Fig. 17

- Fit the supplied spacer plates in the left and right of the cabinet recess.

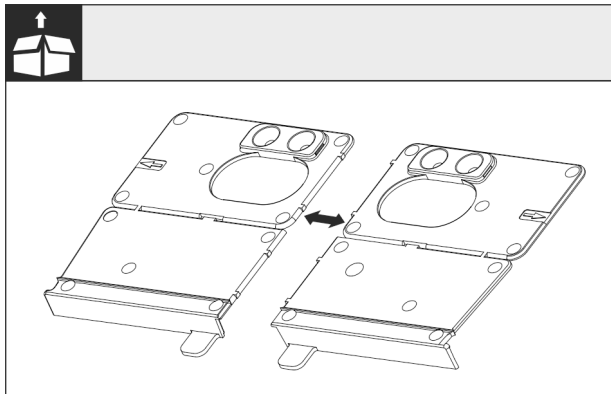


Fig. 18

- Separate the floor mounting bracket at the perforation.

NOTICE

Correct installation depth of the appliance.

- Using the mounting bracket ensures the correct installation depth of the appliance.

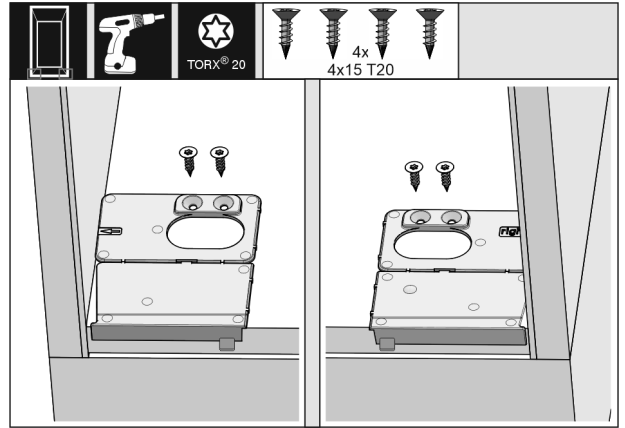


Fig. 19

- Screw the mounting brackets on the left and right of the recess floor, flush to the side wall.

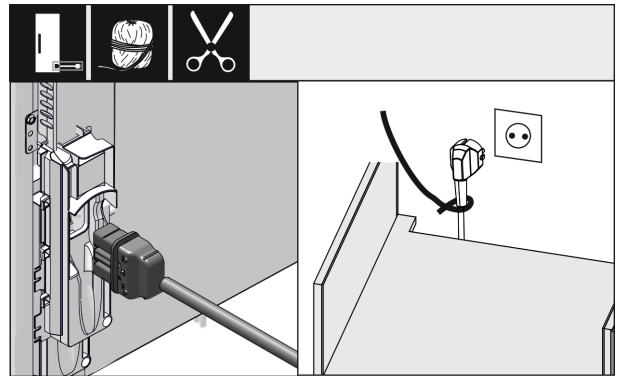


Fig. 20

- Remove the power cable from the package and plug it into the back of the appliance. Use a string to route the power plug cord to the accessible socket. Do not plug in the power plug until the appliance is correctly installed.

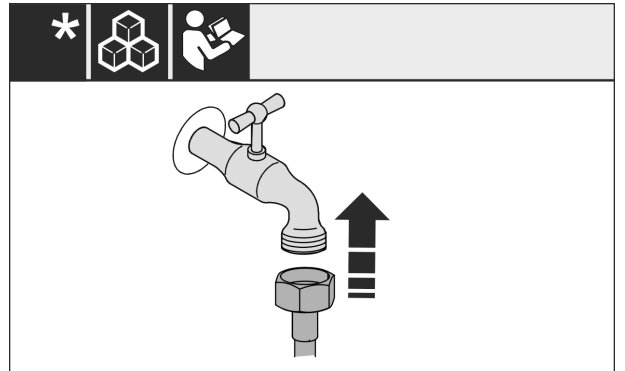


Fig. 21

- If necessary, install the water connection at this point according to the operating instructions.

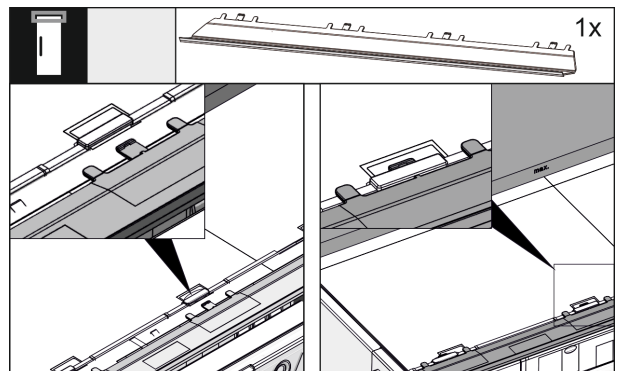


Fig. 22

Installing the appliance in the recess

- ▶ Insert the leveling panel on the top of the appliance. The panel can be moved to both sides.

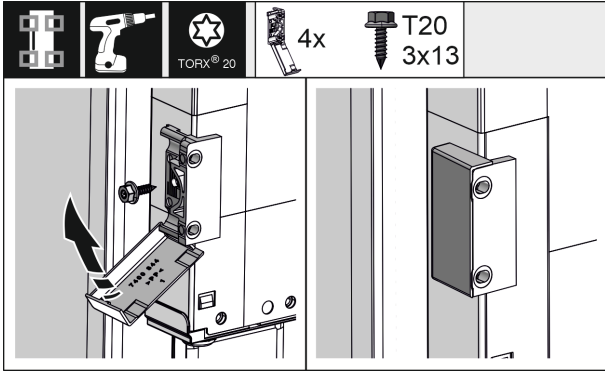


Fig. 23

- ▶ For easier assembly, fit the mounting bracket before pushing the appliance into the cabinet recess. For a large door, use four mounting brackets. After assembly, fold the covers onto the bracket.

16.2 Aligning the appliance in the recess

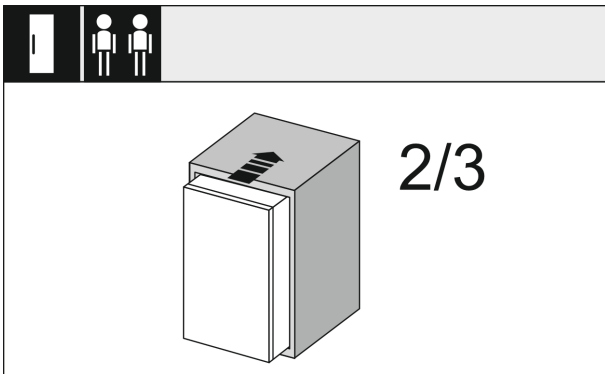


Fig. 24

- ▶ Push the appliance 2/3 of the way into the recess.

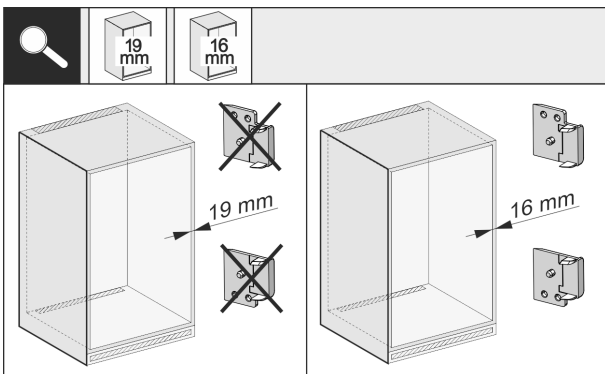


Fig. 25

- ▶ Check whether the unit side wall is 16 mm or 19 mm thick.

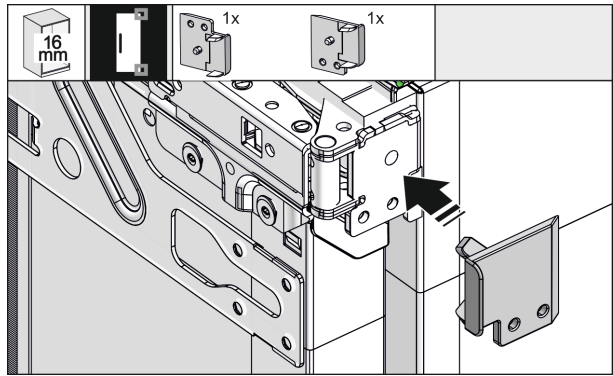


Fig. 26

- ▶ For unit walls which are 16 mm thick: Clip a spacer on all hinges. No spacer is required if the unit walls are 19 mm thick.

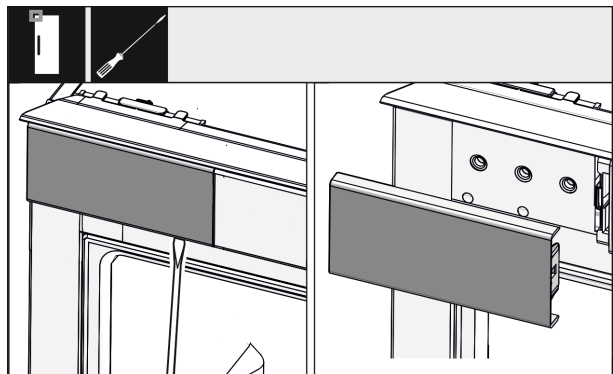


Fig. 27

- ▶ Use a screwdriver to loosen the cover at the top left and remove it.

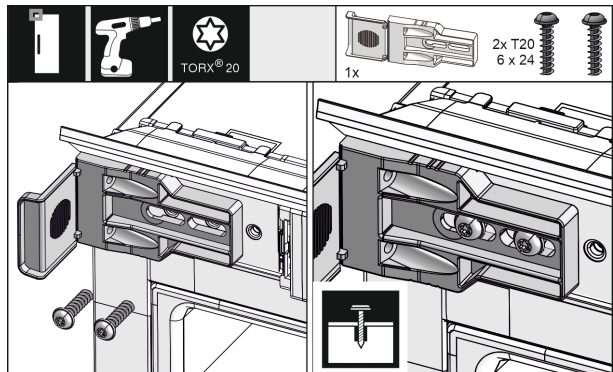


Fig. 28

- ▶ Loosely screw on the mounting bracket. The bracket should still be able to move slightly.

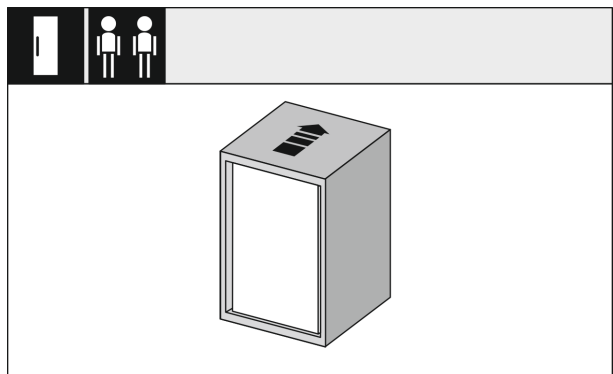


Fig. 29

Installing the appliance in the recess

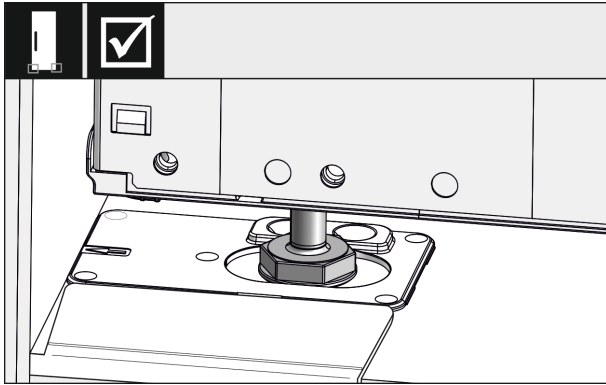


Fig. 30

- ▶ Insert the appliance all the way into the unit recess. The adjustable feet must rest in the recesses in the brackets on both sides.

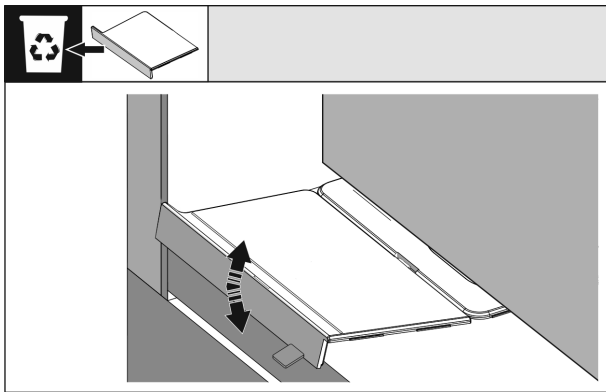


Fig. 31

- ▶ Remove the floor mounting bracket stopper. Loosen the stopper by moving it and, if necessary, pull it off using pliers.

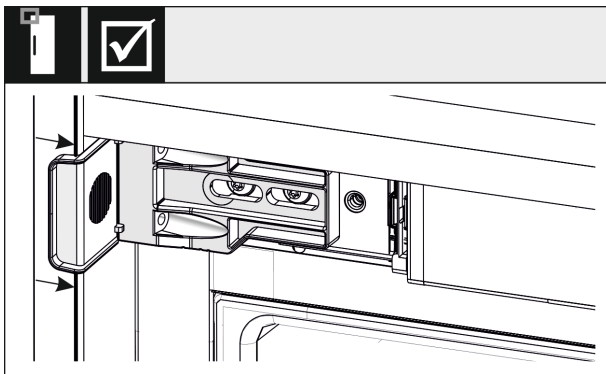


Fig. 32

- ▶ Check that the appliance is flush in the cabinet recess. The mounting bracket must be attached to the side wall of the cabinet recess.

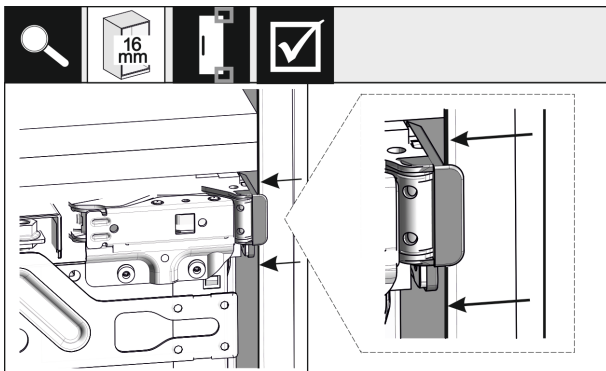


Fig. 33

- ▶ For unit side walls which are 16 mm thick, the spacers fit against the unit recess on the hinge side.

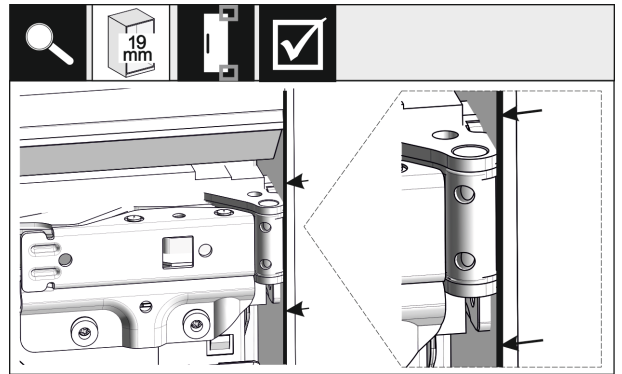


Fig. 34

- ▶ For unit side walls which are 19 mm thick, the front sides of the hinges are positioned flush against the front of the unit side wall.

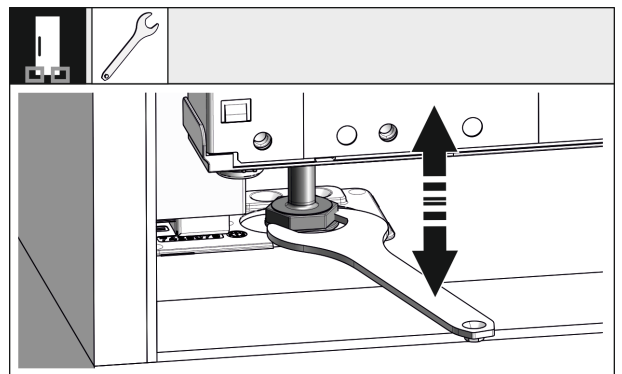


Fig. 35

- ▶ If necessary, use the adjustable feet to correct the tilt of the appliance.

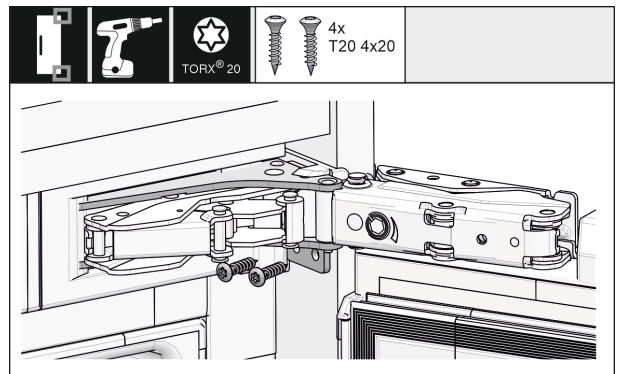


Fig. 36

- ▶ Screw on the appliance on the hinge side.

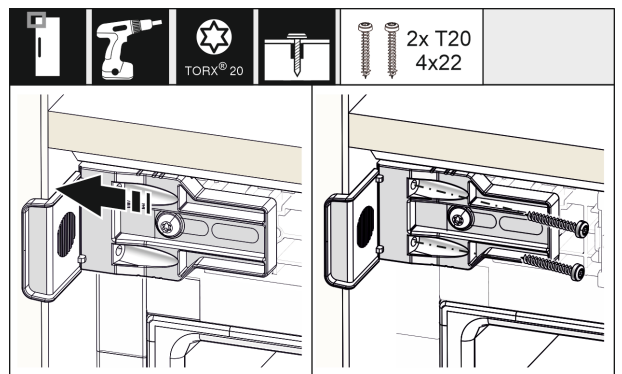


Fig. 37

Installing the appliance in the recess

- ▶ Move the bracket so it sits flush on the side wall of the cabinet recess. Tighten all the screws securely.

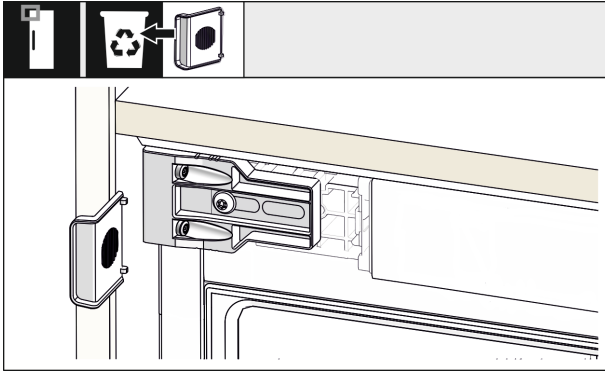


Fig. 38

- ▶ Break off the stop from the bracket on the handle side and dispose of it.

16.3 Temporarily fastening the knocking sensor

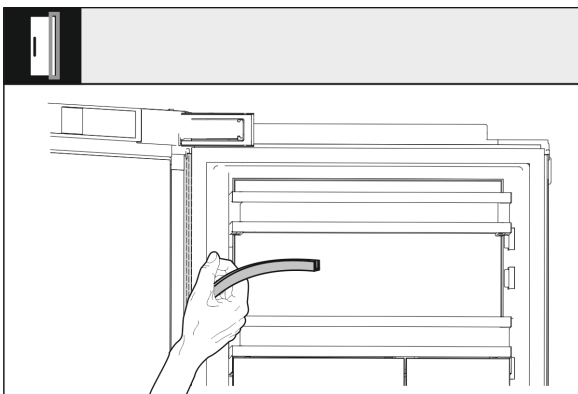


Fig. 39

- ▶ Pull off the cover of the cable duct and put it aside. The space behind the sealing strip is required for fitting the knocking sensor.

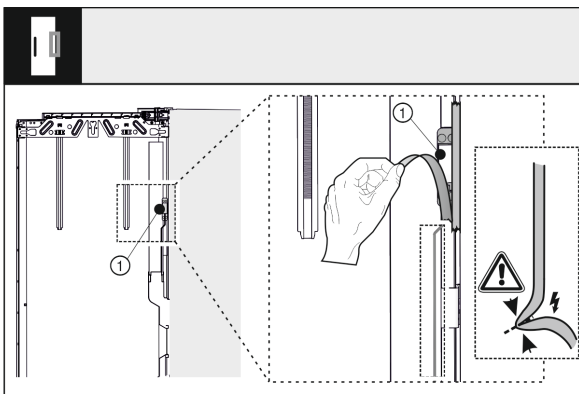


Fig. 40

- ▶ Detach the knocking sensor (1) from the outer door. Do not damage the connecting cable.

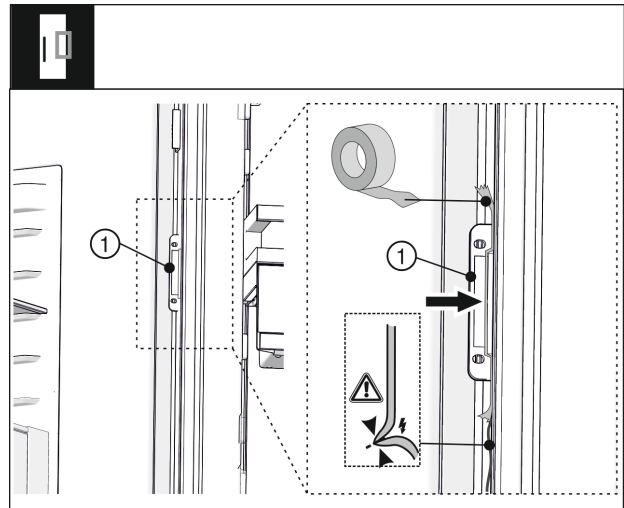


Fig. 41

- ▶ Position the knocking sensor (1) with adhesive tape so that the sensor cable is along the door and does not hang down. The knocking sensor will be screwed to the front of the cabinet later.

16.4 Inserting the covers and height adjuster

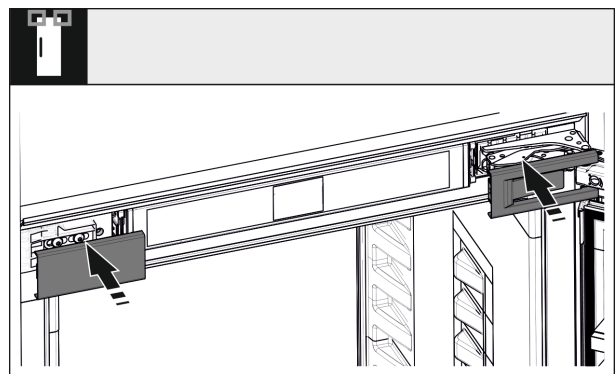


Fig. 42

- ▶ Put on the covers.

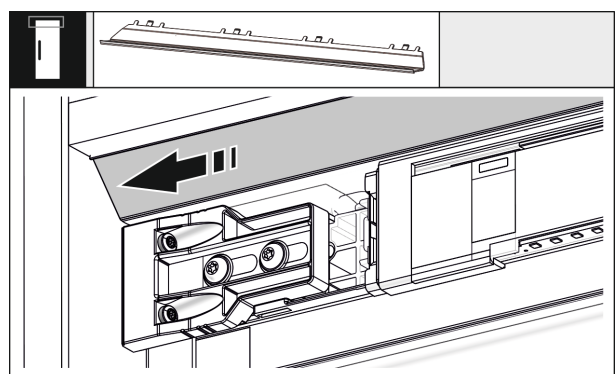


Fig. 43

- ▶ Slide the panel so that it sits flush with the side of the cabinet wall.

Installing the appliance in the recess

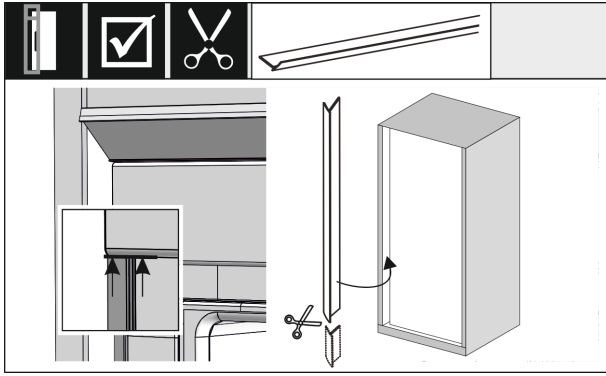


Fig. 44

- ▶ The sealing strip is magnetic. Position the sealing strip below the top cover and press it in. If necessary, shorten the sealing strip to the required length with a sharp pair of scissors.

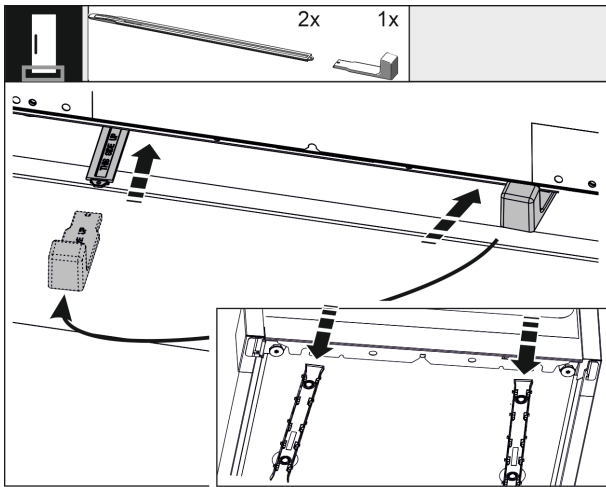


Fig. 45

The supplied height adjuster is used to optimize noise. Both parts of the height adjuster are included in the accessory kit.

- ▶ To stabilize the appliance at the back underneath: Fit the handle onto the rail of the height adjuster and push the rail into the appliance base. Remove the handle and do the same with the second rail.

16.5 Mounting the front of the cabinet

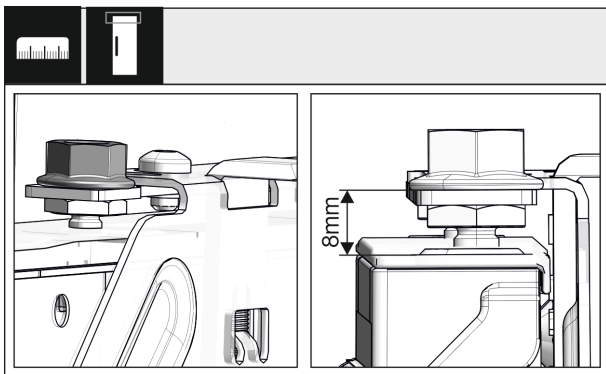


Fig. 46

- ▶ Close the door and check the preset of 8 mm from the upper edge of the appliance door to the crosspiece support

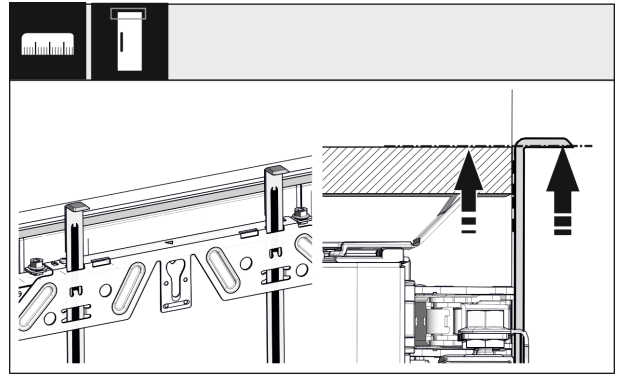


Fig. 47

- ▶ Push the fitting aids to the height of the custom door panel. The bottom of the fitting aid must be level with the top of the custom door panel to be mounted.

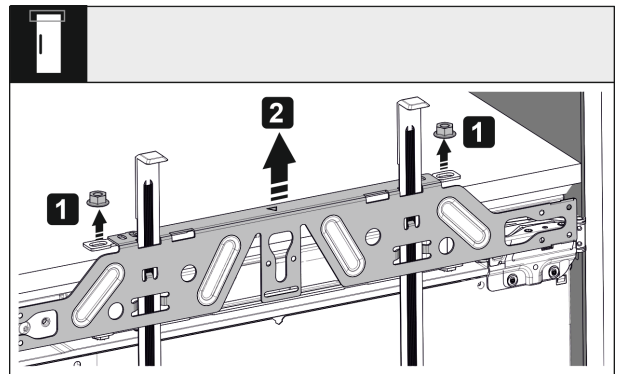


Fig. 48

- ▶ Loosen the counter nut and remove the crosspiece.

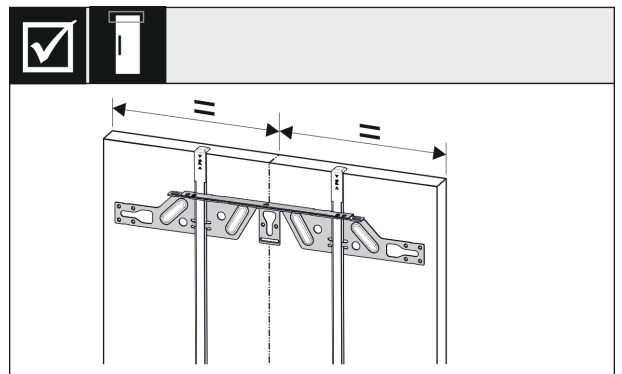


Fig. 49

- ▶ Hang the crosspiece on the inside of the custom door panel and make sure it is central.

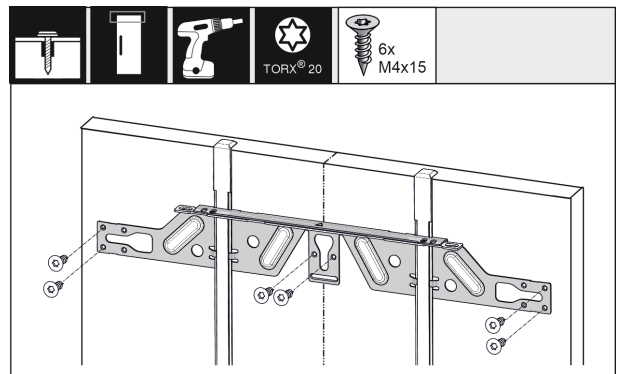


Fig. 50

- ▶ Fix the crosspiece using at least 6 screws for chipboard doors and at least 4 screws for panel doors.

Installing the appliance in the recess

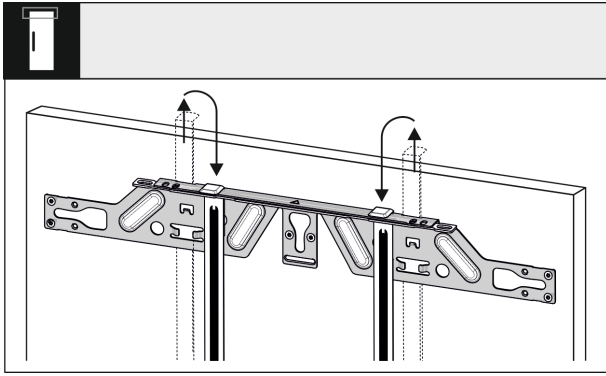


Fig. 51

- Pull out the fitting aids, turn them around and put them in the adjacent opening.

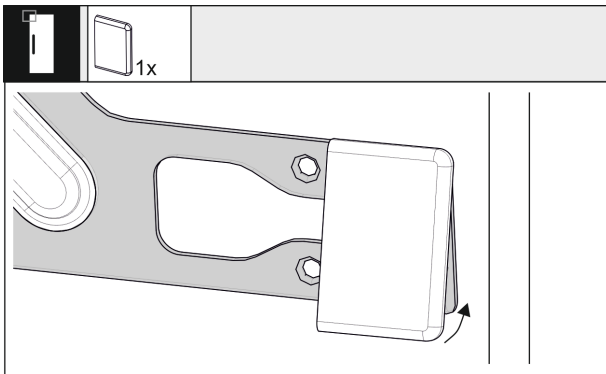


Fig. 52

- Clip the cover on the crosspiece on the handle side.

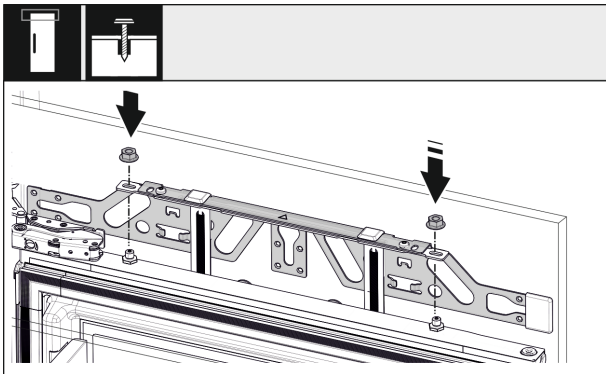


Fig. 53

- Attach the custom door panel and loosely screw the lock nuts onto the adjusting bolts.

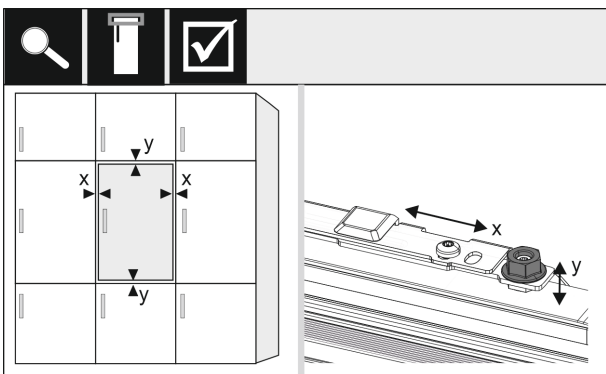


Fig. 54

- Align the custom door panel in the X and Y direction using the adjusting bolts.

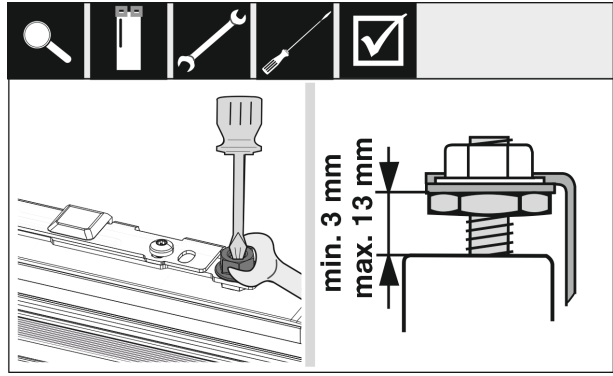


Fig. 55

- Screw on the lock nuts and check the height.

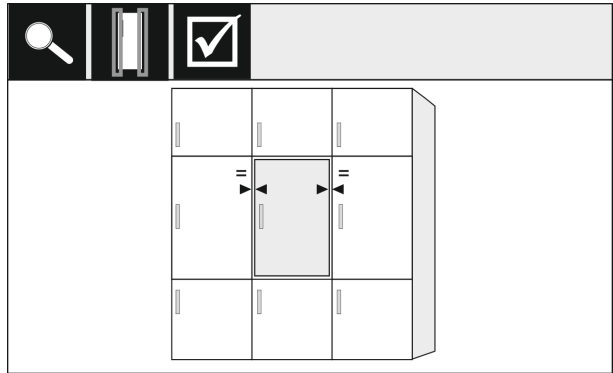


Fig. 56

- Check the gap between the door and the surrounding custom door panels. For unit fronts thicker than 19 mm, take account of the dimensions and advice in the **Unit fronts** section.

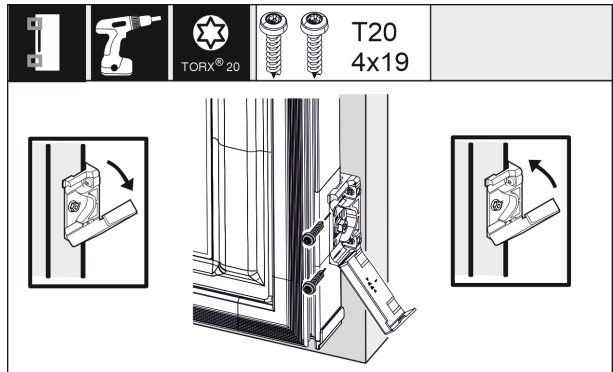


Fig. 57

- Open the cover to fit the mounting bracket on the custom door panel. Align the front edge of the mounting bracket parallel with the custom door panel edge and screw the bracket down tightly. Fold up the cover.

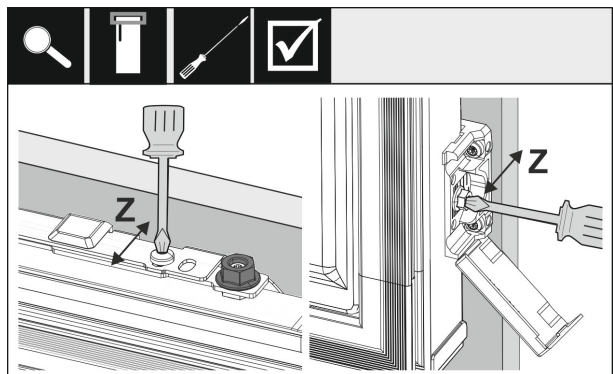


Fig. 58

Installing the appliance in the recess

Align the unit custom door panel the Z direction:

- ▶ Loosen the adjusting screw on the crosspiece and the screw on the mounting bracket.
- ▶ Move the door.

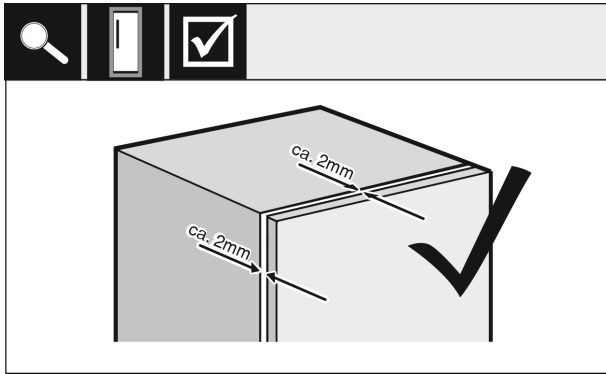


Fig. 59

- ▶ Check the gap between the custom door panel and the unit body.
- ▶ Check all screws and retighten them if necessary.

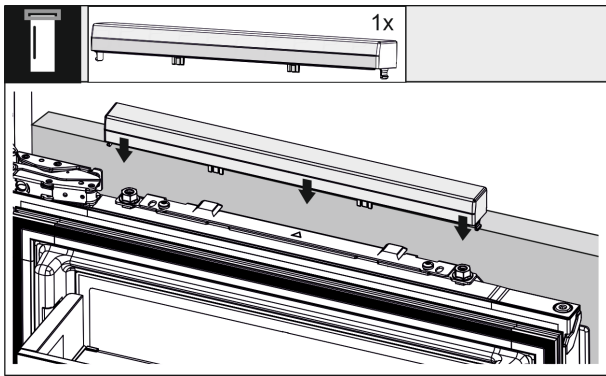


Fig. 60

- ▶ Clip the top cover on.

16.6 Fastening the knocking sensor

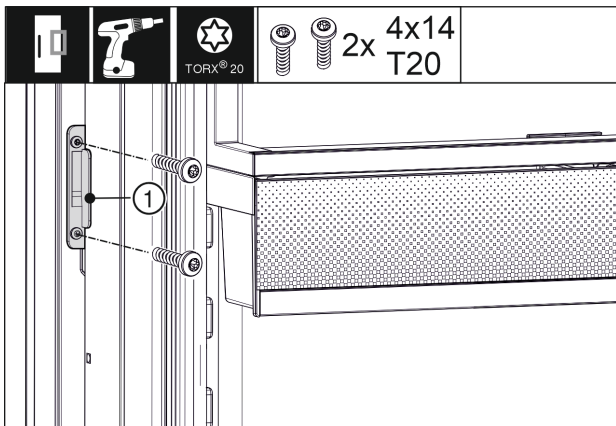


Fig. 61

- ▶ Screw the knocking sensor (1) to the front panel. Pull off the adhesive tape that you used to fasten the knocking sensor.

16.7 Fitting the sealing strip

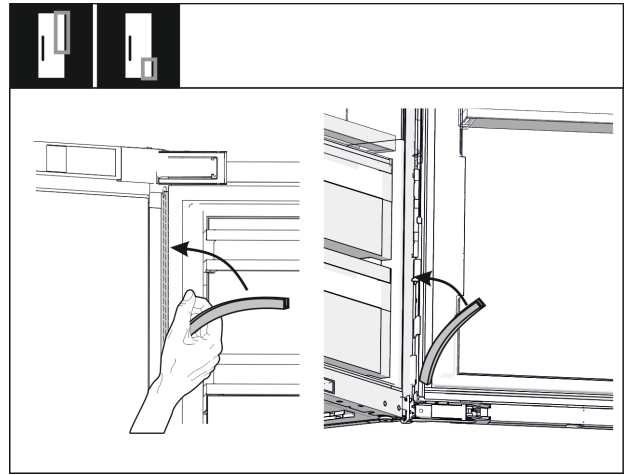


Fig. 62

- ▶ Put on the sealing strip back on at the top and bottom on the hinge side and press it in.

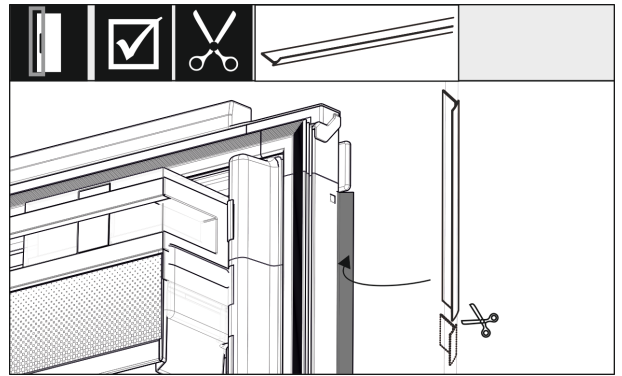


Fig. 63

- ▶ Adjust the sealing strip, cut it to length and put it in between the cabinet door and the appliance door.

16.8 Setting the sensitivity of the knocking sensor

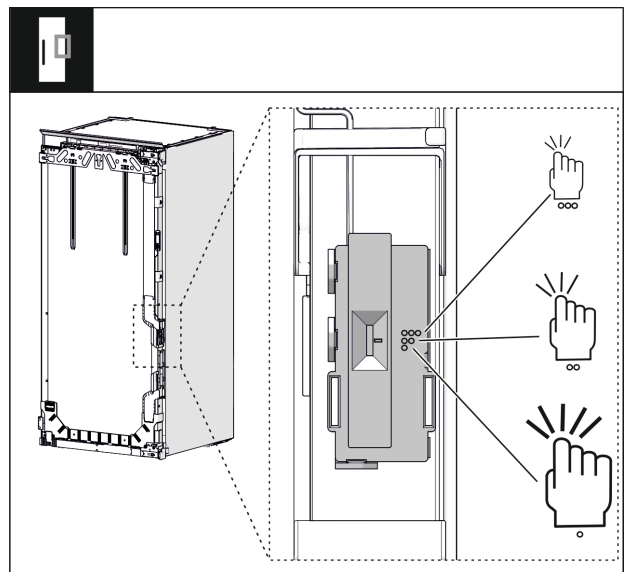


Fig. 64

The sensitivity of the knocking sensor can be adjusted. The adjustment is made using a switch. The switch is on the hinge side on the lower third of the door.

- Switch down - symbol 1 dot = low sensitivity, hard knocking required.
 - Switch in the middle - symbol 2 dots = medium sensitivity, less hard knocking required. This is the factory setting.
 - Switch up - symbol 3 dots = high sensitivity, gentle knocking sufficient.
- The setting can be changed later.

16.9 Checking the installation

- Check the following points to ensure the appliance is correctly installed. Otherwise, ice and condensation may form, and malfunctions may occur.
- ▷ The door must close properly.
 - ▷ The custom door panel must not touch the body of the unit.
 - ▷ The seal on the upper corner on the handle side must be fitted securely.

17 Cabinet fronts

17.1 Dimensions

Depending on your model, you will need one or two cabinet doors. The size of the cabinet door(s) depends on the overall recess size and cabinet unit thickness.

Note

Observe the appliance and recess dimensions and follow the installation diagrams. See the relevant catalog for the installation diagrams.

General requirements:

- Please refer to our catalogs for appliance-specific recommendations on size and weight for fixed door installations.
- The body of the unit should be at least 16 mm thick but not more than 19 mm.
- When mounting a 2-door cabinet door, observe the recommended clearance.

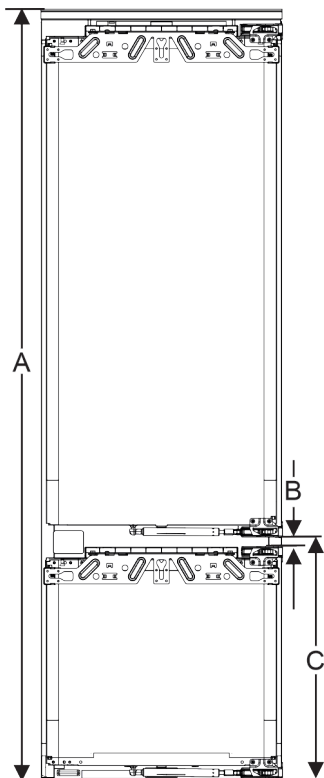


Fig. 65 Clearances for a 2-door cabinet door

Recess height 178-2 drawers	
Appliance height (A) (mm)	1770
Distance (B) (mm)	15
Clearance (C) door-on-door (mm)	549+15 (21 5/8 + 5/8)

Recess height 178-3 drawers	
Appliance height (A) (mm)	1770
Distance (B) (mm)	15
Clearance (C) door-on-door (mm)	695+15 (27 3/8 + 5/8)

Other cabinet door above, below or next to it:

- The vertical gap between custom panels must be 4 mm.
- The horizontal gap between custom panels must be 4 mm. Check the risk of them clashing here. (see 17.3 Setting the clearance to avoid collision)

Weight and hinges:

- Heavy cabinet fronts increase the stress on the hinge. The hinge may be damaged. As such, refer to the catalog for the maximum weight specification for your appliance.
- If the cabinet front exceeds the maximum permitted weight, an appliance with door-tracking device can help by loading the weight over several concealed hinges on the cabinet.
- If you use long unit fronts that protrude far above the appliances, we recommend an additional door hinge (e.g. Kamat), which must have the same pivot point as the fixed door hinge used with your appliance. By using another hinge (Kamat), the weight is shared over several points. The use of a milled compensating fastening is recommended for high unit fronts to counteract warping (convex/concave).

17.2 Mounting the cabinet front(s)

When installing, note:

- Cabinet front must be installed symmetrically to the refrigerator door.
 - Adjoining cabinet front is exactly level.
 - Adjoining cabinet front has the same edge radius as the front of the appliance.
 - Cabinet front is flat and tension-free.
 - The front panel has a minimum depth setting of approx. 2 mm to the body.
- Install the appliance in the recess.
- Fasten the front panel to the appliance door.
- Check that the front panel can close unobstructed. (see 17.3 Setting the clearance to avoid collision)

17.3 Setting the clearance to avoid collision

After installing the cabinet front(s), check that the cabinet fronts do not collide.

Water tank*

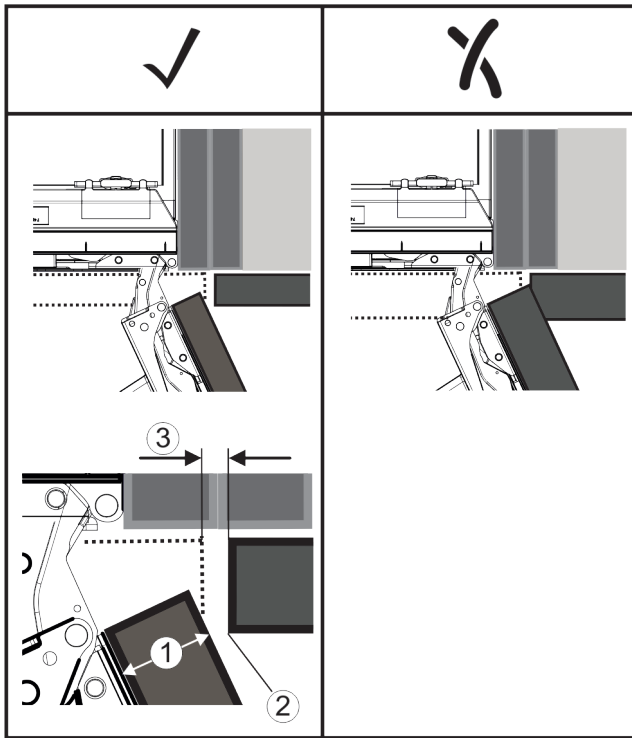


Fig. 66

- (1) Front thickness (FD) (3) Clearance size (S)
 (2) Edge radius (R)

FD(1) (mm)	R (2) = 0 mm		R = 1,2 mm		R = 2 mm		R = 3 mm	
	G _{min}	G _{max}	G _{min}	G _{max}	G _{min}	G _{max}	G _{min}	G _{max}
16	0,3	0,9	0,1	0,4	0,1	0,2	0,1	0,2
19	0,7	2,4	0,3	1,9	0,23	3,25	0,1	0,8
20	2	4,3	1,5	3,6	1	3,1	0,6	2,7
22	3,5	6,3	3	5,6	2,6	5,3	2,1	4,6
24	5,5	8,3	5	7,8	4,5	7,4	4	6,9
26	7,6	10,7	7	10,3	6,6	9,9	6,2	9,4

Fig. 67 Table of clearance limits

G_{min} = min. clearance in mm

G_{max} = max. clearance in mm

Note

When making adjustments, always make sure that the cabinet front suits the general appearance.

Check the collision factors and adjust them accordingly:

- ▶ Determine the front thickness and edge radius.
- ▶ Refer to the table for the min./max. clearance dimensions.
- ▶ Check the clearance size against the table.
- ▶ Do one of the following depending on the measured clearance size.

Clearance size	Description
$S > G_{max}$	If the clearance size is greater than the two limits, you do not need to make any adjustments.
$S < G_{min}$	If the clearance size is below the limits, you must increase it. Another option is to increase the edge radius.
$G_{min} \leq S \leq G_{max}$	If the clearance is between the two limits, you have to be careful. This will quickly lead to collisions.

18 Water tank*

Depending on your model, the InfinitySpring water tank is behind the lowest drawer in the fridge or BioFresh compartment

18.1 Inserting the water tank

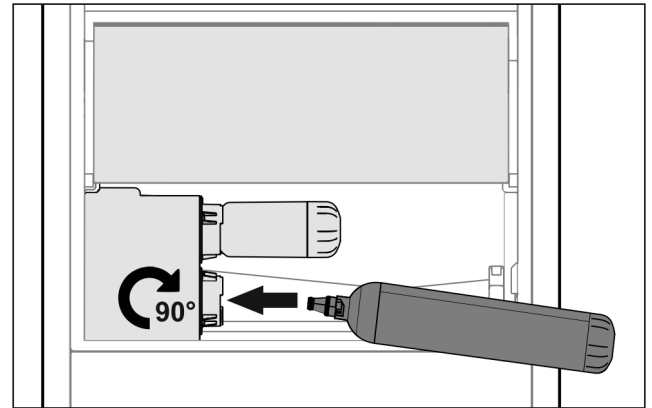


Fig. 68

- ▶ Remove the drawer.
- ▶ Insert the water tank and turn approx. 90° to the right until it engages.
- ▶ Check that the water tank is sealed and no water leaks out.
- ▶ Insert the drawer.
- ▶ Vent the water system (see Installation Instructions, Water Connection)

Instead of the water filter, you can use an additional water tank.

Note

The water tank is available as a spare part.

19 Water filter*

Depending on your model, the water filter is behind the lowest drawer in the fridge or BioFresh compartment.

It absorbs deposits in the water and reduces the taste of chlorine.

- Replace the water filter at least every 6 months under the specified usage conditions or if the flow rate drops significantly.
- The water filter contains carbon and can be disposed of with the regular household waste.

Note

The water filter can be purchased from the Liebherr-Hausgeräte store at home.liebherr.com/shop/de/deu/zubehor.html.

19.1 Installing the water filter

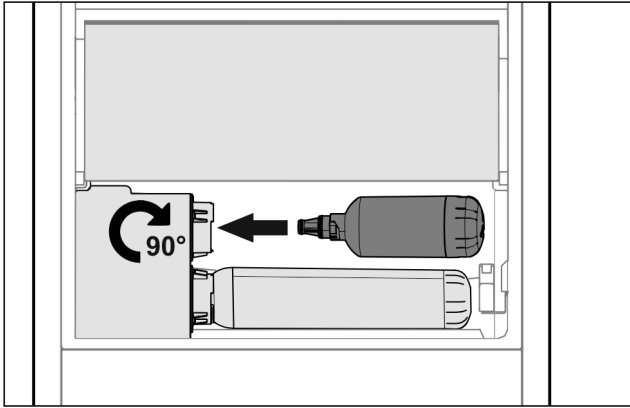


Fig. 69

- ▶ Remove the drawer.
- ▶ Insert the water filter and turn clockwise approx. 90° until it engages.
- ▶ Make sure the filter does not leak and no water is coming out.
- ▶ Insert the drawer.



CAUTION

New water filters may contain particulate matter.

- ▶ Draw 3 l of water from the InfinitySpring and dispose of it.

▷ The water filter is now ready for use.

20 Connecting the appliance



WARNING

Danger of fire due to incorrect connection!

Burns.

Damage to the appliance.

- ▶ Do not use an extension cord.
- ▶ Do not use a multipoint connector strip.

NOTICE

Danger of damage to incorrect connection!

Damage to the appliance.

- ▶ Do not connect the appliance to a stand-alone inverter, e.g. solar power systems and petrol generators.

Note

Only use the mains cable supplied.

- ▶ A longer mains cable can be ordered from Customer Service.

Make sure that the following requirements are fulfilled:

- The type of current and voltage at the installation site complies with the information on the serial tag .
- The socket is grounded and fused in accordance with regulations.
- The tripping current for the fuse is between 10 and 16 A.
- The socket is easily accessible.
- ▶ Check the electrical connection.
- ▶ Connect the mains plug to the power supply.
- ▷ The Liebherr logo appears on the screen.
- ▷ The display switches to the standby symbol.



home.liebherr.com/fridge-manuals

EN Refrigerators and freezers for integrated use, door-on-door

Issue date: 20240404

Part number index: 7088422-00

Liebherr-Hausgeräte GmbH
Memminger Straße 77-79
88416 Ochsenhausen
Deutschland