

EGN 9171 &  
EKB 9671

Quality, Design and Innovation



MONOLITH

**LIEBHERR**

With its impressive size, clean lines, and innovative interior features, the Monolith was designed to inspire awe and integrate seamlessly into your kitchen – today, tomorrow, and for years to come. Of the entire Monolith series, the EGN 9171 Freezer and EKB 9471 Refrigerator have been awarded the iF Design Award 2019. Indeed, Monolith takes advanced food preservation to a whole new level.

Monolith BioFresh-Plus drawer adds another dimension of climate control to the BioFresh system by allowing you to set temperatures inside the third drawer to as low as -2°C. That's the perfect temperature for preserving the freshness and flavours of seafood. The adjustable InfinityLight LED system casts beautiful and even side lighting, giving a soft, brightening effect upon opening the doors. Our intuitive electronic touch-control panel, InfinitySwipe, features a full-colour 3.5-inch touch & swipe screen that's bright, clean and wonderfully user-friendly. Stainless steel handles and fronts are available as optional accessories.

### Possible Side-by-Side combinations

- EGN 9171 & EKB 9671
- EGN 9171 & EKB 9471
- EGN 9271 & EKB 9671



### Monolith 137.1 cm

### EGN 9171

### EKB 9671

No Frost	Infinity Swipe	Infinity Light	Ice Maker	Soft System	Soft Telescopic	Bio Fresh-Plus	Infinity Swipe	Infinity Light	Infinity Spring	Soft System	Soft Telescopic
39											
-						651 / 534					
-						259 / 235					
281 / 218						-					
4						4					
3						3					
3						-					
-						2 / 1					
InfinitySwipe						InfinitySwipe					
Steel						Steel					
-						+2°C to +7°C					
-14°C to -27°C						-					
Visual and audible						Visual and audible					
Automatic						Automatic					
InfinityLight						InfinityLight					
Audible						Audible					
-						InfinitySpring					
Yes						Yes					
Fixed water connection 20 mm (3/4")						-					
1.6						-					
Yes						Yes					
Left, reversible ***						Right, reversible ***					
212.6 / 45 / 61						212.6 / 90.9 / 61					
213.4 / 45.7 / min. 63.5						213.4 / 91.4 / min. 63.5					
152 / 137						215 / 198					
220-240 / 50						220-240 / 50					

Sound rating dB(A) *
Gross / Net refrigerator capacity litre
Gross / Net BioFresh & BioFresh-Plus comp. litre
Gross / Net freezer capacity litre
Number of shelves
Number of door racks
Number of FrostSafe drawers
Number of BioFresh / BioFresh-Plus drawers
Electronic control
Door / side walls
Refrigerator temperature range °C **
Freezer temperature range °C
Temperature alarm
Defrost type
Interior light
Door alarm
Internal water dispenser
Water filter
IceMaker
Ice cube output kg/24h
SoftSystem
Door hinges
Product dimensions (H/W/D) cm
Cut out dimensions (H/W/D) cm
Gross / Net weight kg
Voltage V/Hz

\* Noise output - according to EN 60704-3.

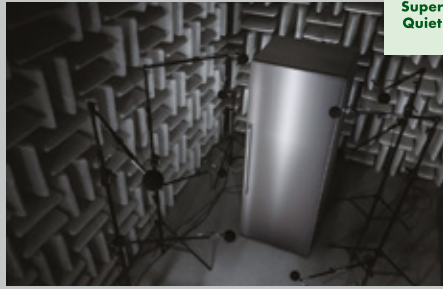
\*\* BioFresh bins, 0°C. BioFresh-Plus bins, -2°C or 0°C.

\*\*\* Please contact your Liebherr Authorised Dealer for door reversal.



Soft System

**SoftSystem:** Monolith's doors close automatically and gently thanks to our SoftSystem technology, which eliminates slamming even when shelves are fully loaded. Depending on the size of the Monolith unit, door hinges can hold up to 40 kg.



Super Quiet

**SuperQuiet:** Noise levels are kept to a minimum all thanks to virtually silent, speed-controlled, and sound absorbing compressors that ensure exact performance, energy efficiency, and SuperQuiet operation.



Bio Fresh-Plus

**BioFresh-Plus:** Bringing you the perfect climate for long-lasting food freshness. In addition to two BioFresh drawers, the third fridge drawer can be set to BioFresh-Plus by lowering temperatures down to -2°C, ideal for storing fresh seafood.



Infinity Spring

**InfinitySpring:** The InfinitySpring is a seamlessly integrated, flush-mounted internal water dispenser that can accommodate water pitchers of any size. Our water filtration system eliminates harmful contaminants, resulting in crisp, clear water.



Infinity Light

**InfinityLight:** InfinityLight adds drama and flair while emitting less heat to preserve food quality. LED side-wall lighting casts an even glow that can be adjusted to your liking. Comes with a pleasing night dimming feature.



Infinity Swipe

**InfinitySwipe:** The Monolith's intuitive electronic touch-control panel features a full-colour 3.5-inch touch and swipe screen that's bright, clean, and wonderfully user-friendly. You'll barely have to lift a finger to control every function.

Accessories

Stainless steel fronts



45.7

91.4

Stainless steel front 45.7 cm (Part no. 990191600)

Stainless steel front 91.4 cm (Part no. 990145800)

Handle variants



Flat brushed aluminium handle (Part no. 990146100)

Round stainless steel handle (Part no. 990148900)

Square brushed aluminium handle (Part no. 990149200)

Stainless steel toe kicks



Base - trim / 45.7 cm (Part no. 990149300)  
 Base - trim / 91.4 cm (Part no. 990234900)  
 Base - trim / 137.1 cm (Part no. 990178700)

Other accessories

Side-by-side kit (Part no. 990142800)  
 – A SBS kit is required when there is a spacing of less than 102 mm between appliances. Includes a side wall heater to prevent condensation, metal brackets with screws, and a finishing strip (approx. 6-8 mm) to fill the gap between the appliances.

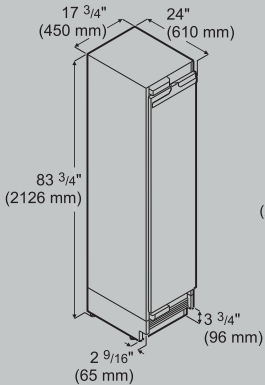
Door hinge exchange set (Part no. 990239900)  
 – To be used when reversing factory-fitted hinges. Door reversal must be performed by a Liebherr authorised dealer.

Charcoal filter (Part no. 988111600)

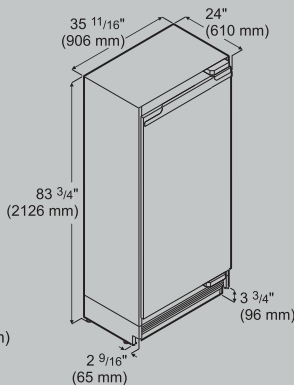
Water filter (Part no. 988122700)

## Product Dimensions

### 45.7 cm appliance



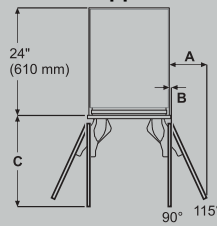
### 91.4 cm appliance



**IMPORTANT!**  
Stated minimum height dimensions include height of the adjustable feet when fully inserted.

Height can be increased by a maximum of 1" (26 mm) by turning the adjustable feet. When the appliance is fitted in the recess, the appliance must be raised by turning the adjustable feet so that the appliance top has contact with the anti-tipping bracket. This results in a 4" (102 mm) toe kick height.

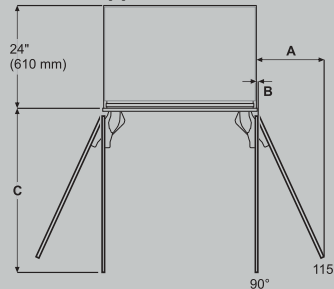
### 45.7 cm appliance



**Internal door panel**  
A = 8 1/4" (210 mm)  
B = 1/2" (12.5 mm)  
C = 19 7/8" (505 mm)

**External door panel**  
A = 8 1/2" (216 mm)  
B = 1/2" (12.5 mm)  
C = 20 3/8" (517 mm)

### 91.4 cm appliance



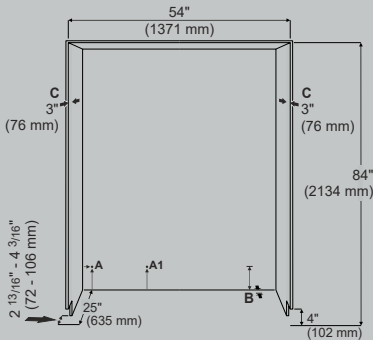
**Internal door panel**  
A = 15 3/4" (400 mm)  
B = 1/2" (12.5 mm)  
C = 37 7/8" (962 mm)

**External door panel**  
A = 16" (406 mm)  
B = 1/2" (12.5 mm)  
C = 38 3/8" (975 mm)

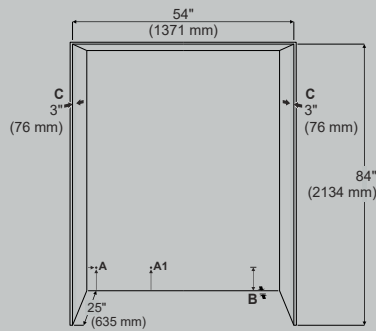
Dimension A = without mounted door handle

## Cut Out Dimensions

### Continuous toe kick



### Individual toe kick



**A:** This is where the power cord exits the appliance rear, 3/4" (19 mm) from the left and 5" (127 mm) from the floor. Free length of the power cord is 98" (2.5 m). Power outlet is recommended to be placed outside of the appliance opening. A power supply of 220-240V with circuit grounded and protected by a circuit breaker is required. Socket must be properly earthed and protected by a fuse of 15A or 20A.

**B:** The appliance has a recess here for cable and waterline laying, 1" (25 mm) in depth and 5 1/2" (140 mm) in height over the whole width of the appliance. With the water filter installed, the pressure must be 40-90 psi. Without the water filter installed, the acceptable pressure is 22-87 psi. A shut-off valve must be installed between the water line and the main water supply, and must be easily accessible so that water supply can be stopped immediately if necessary.

**C:** This surface will be visible when the appliance door is open hence designed finish is required.

## Door Front Dimensions



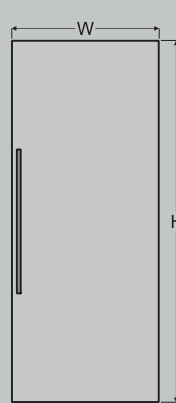
### 45.7 cm recess

**Integrated installation**  
H = 79 7/8" (2029 mm)  
W = 17 3/4" (451 mm)

### Frameless installation

H = 80" (2032 mm)  
Add overlapping dimension to the panel on the top.  
W = 18" (457 mm)  
Add overlapping dimension to the panel on both sides.

Front thickness = min. 5/8" (16 mm) / max. 1 3/16" (30 mm)  
Front and handle weight = max. 25 kg



### 91.4 cm recess

**Integrated installation**  
H = 79 7/8" (2029 mm)  
W = 35 3/4" (908 mm)

### Frameless installation

H = 80" (2032 mm)  
Add overlapping dimension to the panel on the top.  
W = 36" (914 mm)  
Add overlapping dimension to the panel on both sides.

Front thickness = min. 5/8" (16 mm) / max. 1 3/16" (30 mm)  
Front and handle weight = max. 40 kg

**Note:**

- The indicated cut-out niche dimensions are in accordance to alignment of the toe-kick.
- Whilst every effort is made to ensure all specifications and information in this flyer are accurate, Liebherr reserves the right to make changes without notification. Where actual appliance measurements, specifications, and ratings are crucial, we recommend that the actual appliance installation instructions that accompany each appliance be checked. Liebherr will not be liable for any loss.