

Gebrauchsanweisung

Kühlschrank
Vor Inbetriebnahme die Gebrauchsanweisung lesen

Seite 2 **DE**

Operating instructions

Refrigerator
Read the operating instructions before switching on for the first time

Page 12 **EN**

Gebruiksaanwijzing

Koelkast
Voor de inbedrijfstelling de gebruiksaanwijzing lezen

Pagina 22 **NL**

Mode d'emploi

Réfrigérateur
Lire le mode d'emploi avant la mise en service

Page 32 **FR**

Istruzione d'uso

Frigorifero
Prima di mettere in funzione l'apparecchio leggere le istruzioni d'uso

Pagina 42 **IT**

Instrucciones de manejo

Refrigerador
Leer las instrucciones de manejo antes de la puesta en servicio

Página 52 **ES**

Manual de utilização

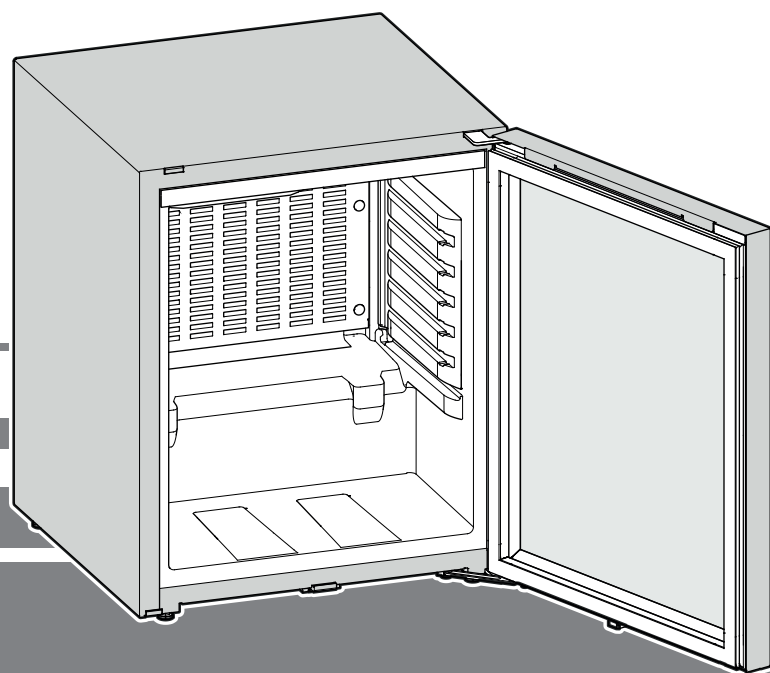
Refrigerador
Antes da colocação em funcionamento, ler o manual de utilização

Página 62 **PT**

Инструкция по эксплуатации

Холодильник
Перед вводом в эксплуатацию прочитайте инструкцию по эксплуатации

страница 72 **RU**



7085 881-01

7C0, 7C1, Kgb, Ksl, Kdl, Kes, Kbs

LIEBHERR

Disposal notes

The appliance contains reusable materials and should be disposed of properly - not simply with unsorted household refuse. Appliances which are no longer needed must be disposed of in a professional and appropriate way, in accordance with the current local regulations and laws.



When disposing of the appliance, ensure that the refrigerant circuit is not damaged to prevent uncontrolled escape of the refrigerant it contains (data on type plate) and oil.

- Disable the appliance.
- Pull out the mains plug.
- Cut through the connection cable.

WARNING

Danger of suffocation due to packaging material and plastic film!

Do not allow children to play with packaging material.

Take the packaging material to an official collection point.

Range of appliance use

The appliance is suitable solely for cooling food in a domestic environment or similar. This includes, for example, use

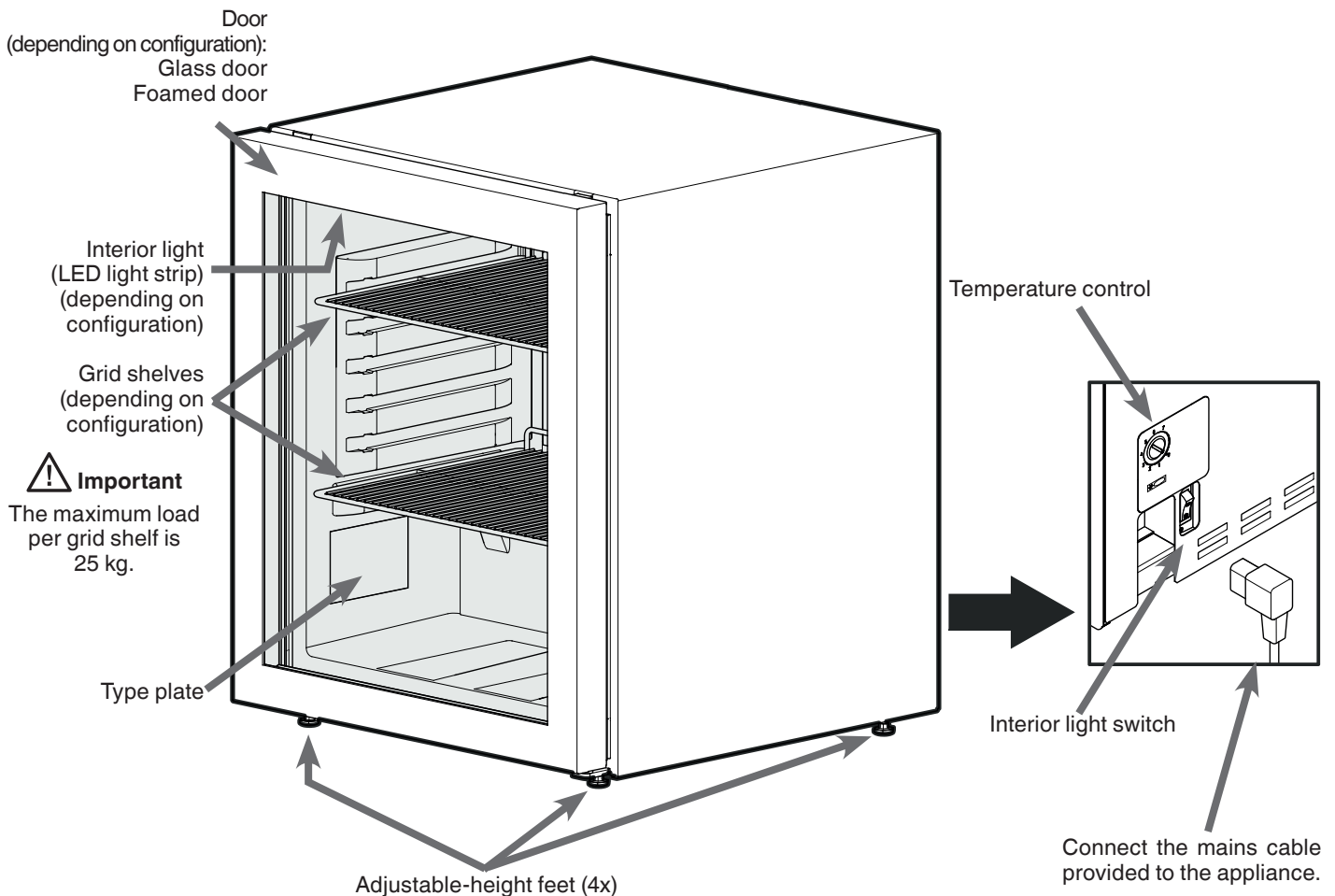
- in staff kitchen areas in shops, offices and other work areas;
- in agriculture and by guests in hotels, motels and other types of accommodation;
- in bed and breakfast accommodation;
- in catering and similar wholesale use.

Use the appliance solely as is customary within a domestic environment. All other types of use are inadmissible.

The appliance is not suitable for storing and cooling medicines, blood plasma, laboratory preparations or similar substances and products covered by the 2007/47/EC Medical Devices Directive. Any misuse of the appliance may result in damage to or spoilage of stored goods.

Furthermore, the appliance is not suitable for operation in potentially explosive environments.

Description of the appliance



Important note

Keep all food packed and covered.

Safety instructions and warnings

- **WARNING:** do not seal ventilation openings on the appliance housing or enclosure.
- **WARNING:** only use the mechanical devices or other aids recommended by the manufacturer to help speed up the defrosting process.
- **WARNING:** do not damage the refrigerant circuit.
- **WARNING:** the mains cable must not be damaged while installing the appliance.
- **WARNING:** multi-sockets or distributor strips and other electronic devices (such as halogen transformers) must not be positioned and operated at the rear of appliances.
- **WARNING:** danger of injury through electric shock. There are live parts under the cover. Only have the interior LED light replaced or repaired by customer service staff or trained personnel.
- **WARNING:** ensure that the refrigerant circuit pipes will not be damaged.
- **WARNING:** do not use any electrical devices inside the appliance.
- To prevent injury or damage to the unit, the appliance should be unpacked and set up by two people.
- In the event that the appliance is damaged on delivery, contact the supplier immediately before connecting to the mains.
- To guarantee safe operation, ensure that the appliance is set up and connected as described in these operating instructions.
- Disconnect the appliance from the mains if any fault occurs. Pull out the plug, switch off or remove the fuse.
- When disconnecting the appliance, pull on the plug, not on the cable.
- Any repairs and work on the appliance should only be carried out by the customer service department, as unauthorised work could prove highly dangerous for the user. The same applies to changing the mains power cable.
- Do not allow naked flames or ignition sources to enter the appliance. When transporting and cleaning the appliance ensure that the refrigerant circuit is not damaged. In the event of damage, make sure that there are no ignition sources nearby and keep the room well ventilated.
- Do not stand on the plinth, drawers or doors or use them to support anything else.
- This appliance can be used by children of 8 years old and over, and also by persons with restricted physical, sensory or mental capacity or lack of experience and knowledge if they are supervised or have been instructed on the safe use of the appliance and understand the resulting risks. Children must not be allowed to play with the appliance. Cleaning and user maintenance must not be carried out by children without supervision.
- Avoid prolonged skin contact with cold surfaces or chilled/frozen food. This could cause pain, numbness and frostbite. In the case of prolonged skin contact, protective measures should be taken, e.g. gloves should be worn.
- Do not consume food which has been stored for too long, as it could cause food poisoning.
- Do not store any explosive substances, such as aerosol containers with flammable propellant gas, inside the appliance.
- Do not store explosives or sprays using flammable propellants such as butane, propane, pentane etc. in the appliance. Electrical components might cause leaking gas to ignite. You may identify such sprays by the printed contents or a flame symbol.
- Do not use electrical appliances inside the appliance.
- If you have a lockable appliance, do not keep the key near the appliance or within reach of children.
- The appliance is designed for use in enclosed areas. Do not operate the appliance outdoors or in areas where it is exposed to splash water or damp conditions.
- The LED light strips illuminate the interior of the appliance. They are not suitable for lighting a room.
- When transporting or operating the appliance at an altitude of more than 1500 m above sea level, the glass pane in the door can break due to the reduction in air pressure. Broken fragments are sharp-edged and can cause serious injury.

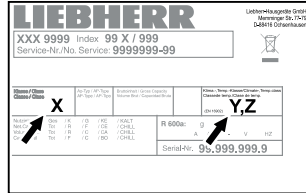
EPREL database

As from 1 March 2021, information about energy labelling and ecodesign requirements will be available in the European product database (EPREL). You can access the product database using the following link: <https://eprel.ec.europa.eu/>. You will be asked to enter the model identifier. You will find the model identifier on the type plate.

Climate class

The climate class [X] specifies the ambient conditions in which the appliance can be operated safely.

The climate class [Y] and temperature class [Z] define the maximum outline conditions in which the appliances will operate perfectly.



The climate rating is indicated on the type plate.

[X] Climate class	Max. room temperature	Max. relative humidity
3	25 °C	60 %
4	30 °C	55 %
5	40 °C	40 %
7	35 °C	75 %

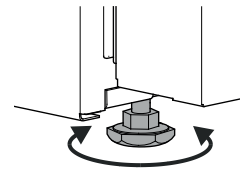
The minimum room temperature at the place of installation is 10°C.

[Y] Climate class	Temperature [°C]	Relative humidity [%]
CC1	25,0	60
CC2	32,2	65
CC3	40,6	75

Recommended temperature setting:

[Z] Temperature class	Temperature setting [°C]
K1	3,5
K2	2,5
K3	-1,0
K4	+5,0

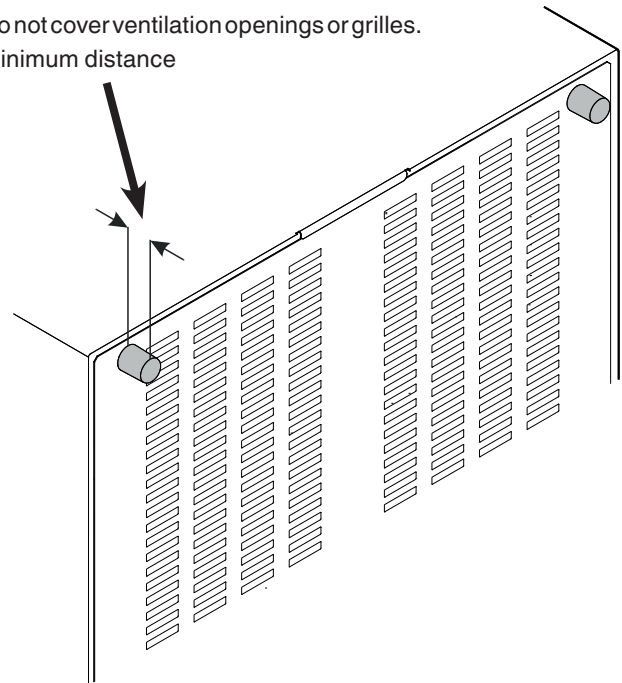
Setting up

- Avoid positioning the appliance in direct sunlight or near cookers, radiators and similar sources of heat.
- The floor on which the appliance stands should be horizontal and level. Compensate for uneven floors with the adjustable feet. 
- Standard EN 378 specifies that the room in which you install your appliance must have a volume of 1 m³ per 8 g of R 600a refrigerant used in the appliance, so as to avoid the formation of flammable gas/air mixtures in the room where the appliance is located in the event of a leak in the refrigerant circuit. The quantity of refrigerant used in your appliance is indicated on the type plate on the inside of the appliance.



This symbol is shown on the compressor and identifies the risk of flammable substances.

Do not cover ventilation openings or grilles.
Minimum distance



Product data

Product data is included with the appliance, as per Regulation (EU) 2017/1369. The complete product data sheet is available on the Liebherr website under Downloads.

Electrical connection

Only operate the appliance with **alternating current (AC)**.

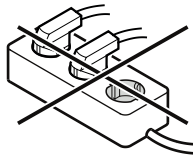
The permissible voltage and frequency are indicated on the type plate. The position of the type plate is shown in the section entitled **Description of the appliance**.

The socket must be properly earthed and protected by a fuse. The tripping current of the fuse must be between 10 A and 16 A.

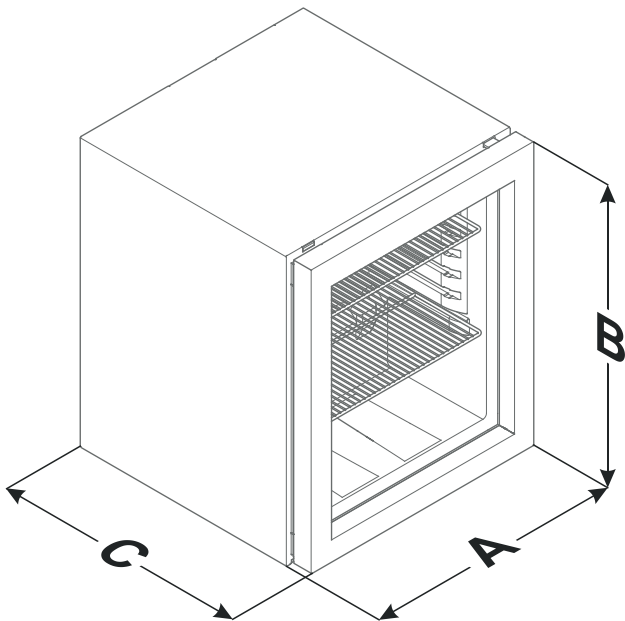
The socket must not be situated behind the appliance and must be easily accessible.

Do not connect the appliance using an extension cable or extension socket.

Do not use stand-alone inverters (conversion of direct current to alternating current/three-phase current) or energy-saving plugs. Risk of damage to the electronic control system!



Appliance dimensions



A [mm]*	B [mm]*	C [mm]*
501-509	611-615	540-544

* Depending on configuration

Switching the appliance on and off

You are recommended to clean the interior of the appliance before switching it on for the first time (see **Cleaning**).

Switching the appliance on

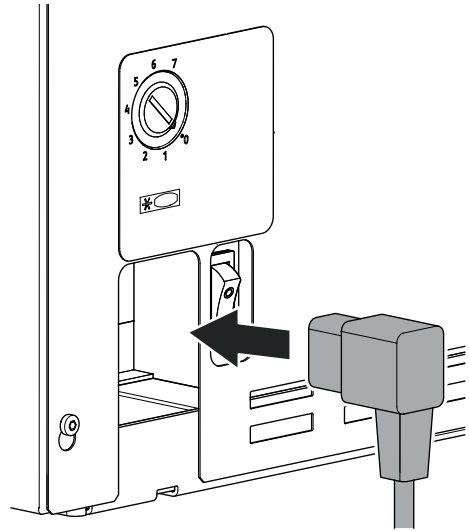
Connect the appliance to the mains - the appliance is switched on.

Switching the appliance off

Pull out the mains plug or set the temperature control to 0.

Important note

When the temperature control is turned to "0", the refrigeration system is switched off, but the appliance is not completely disconnected from the mains. Before cleaning, always disconnect the appliance from the mains. Remove the plug.



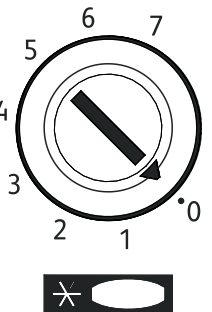
Setting the temperature

Set the temperature inside the appliance using the temperature control.

When the control is turned to "7", the temperature inside the appliance is at its lowest.

Set the control between "1" and "7" as required.

0 Off
1-7 ~ 15-3°C



Interior light

The interior light is fitted on the inside at the top.

It can be switched on and off by pressing the switch S.

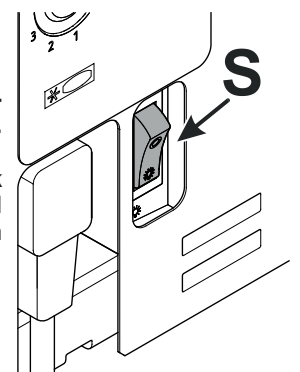
The light will be on when the door is open.

The light intensity of the LED light corresponds to risk group 1.

⚠ Important

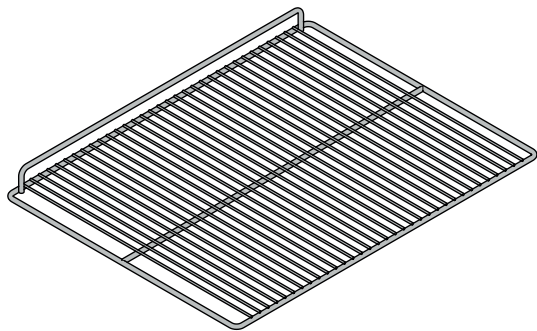
The light cover may only be removed by customer service staff.

If the cover is removed, do not look directly at the light through optical lenses from close range. This can damage your eyes.

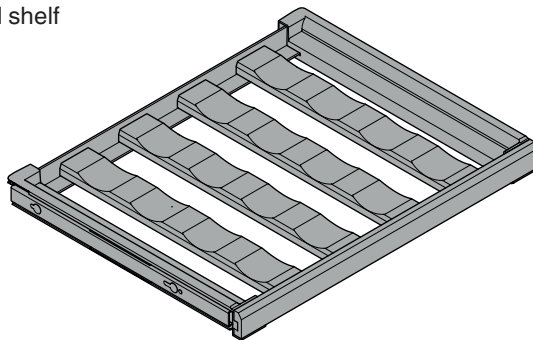


Equipment (depending on configuration)

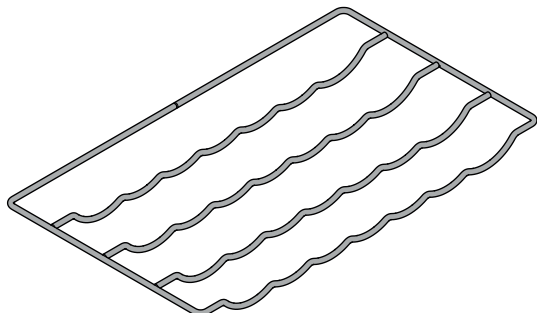
Grid shelf



Wooden grid shelf



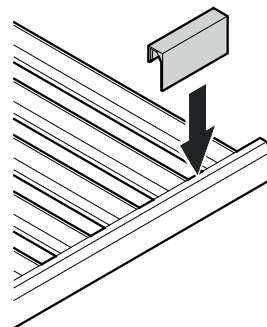
Bottle shelf



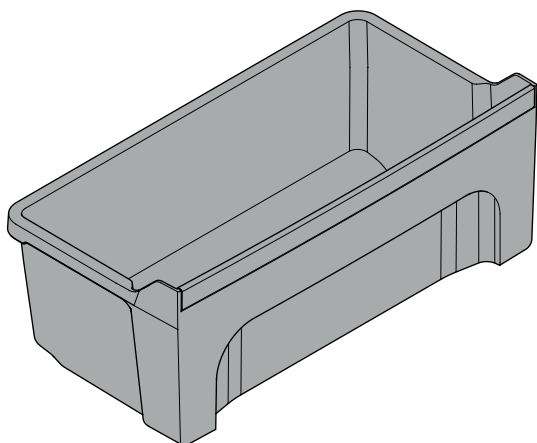
Labels

Use these to label the type of wine stored on each shelf.

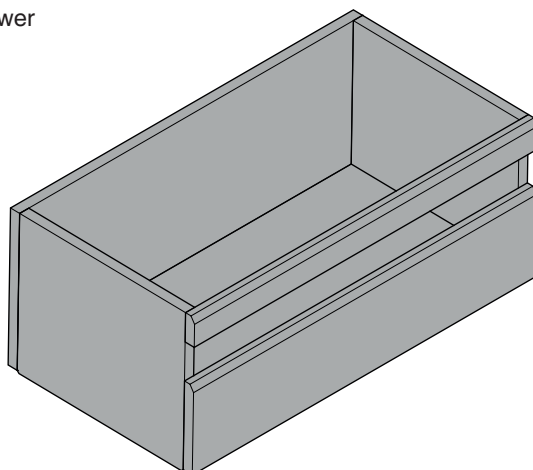
Additional labels can be obtained from your dealer.



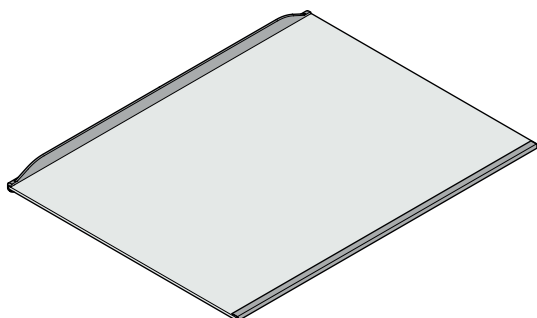
Drawer



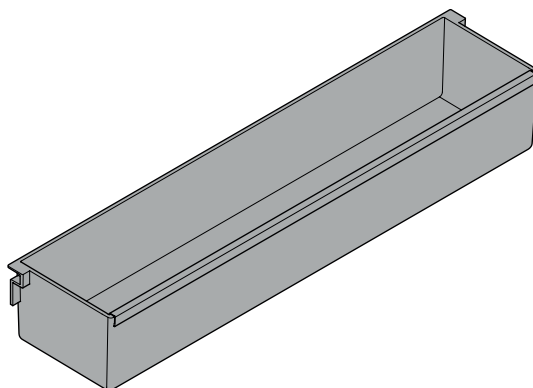
Wooden drawer



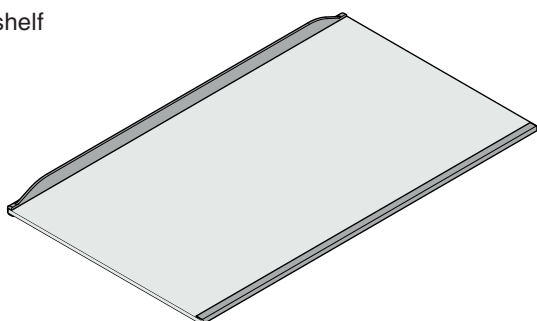
Glass shelf



Door rack



Short glass shelf



Cleaning

Clean the appliance at least twice per year.

Before cleaning always switch off the appliance. Disconnect from the mains or switch off or unscrew the fuse.

- Clean the side panels and door surfaces with a clean and soft cloth only. If necessary, use a moist cloth (water + detergent). Alternatively, use a microfibre cloth.
- Do not use abrasive sponges or scourers, do not use concentrated cleaning agents and never use cleaning agents containing sand, chloride or acid or chemical solvents, as these would damage the surfaces and could cause corrosion.
- Clean the inside and equipment with lukewarm water and a little detergent.

Do not use steam cleaners because of the risk of injury and damage.

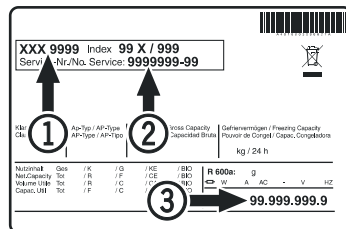
- Ensure that no cleaning water penetrates the electrical components or ventilation grille.
- Dry all parts well with a cloth.
- Do not damage or remove the type plate on the inside of the appliance. It is very important for servicing purposes.

Malfunctions

You may be able to rectify the following faults by checking the possible causes yourself.

- **Appliance does not function:**
 - Is the appliance switched on?
 - Is the plug correctly fitted in the mains socket?
 - Is the fuse intact?
- **Loud running noise:**
 - Is the appliance set up firmly on the floor?
 - Does the appliance cause nearby items of furniture or objects to vibrate? Please note that noises caused by the refrigerant circuit cannot be avoided.
- **The temperature is not low enough:**
 - Is the temperature setting correct (see "Setting the temperature")?
 - Does the separately installed thermometer show the correct reading?
 - Is the ventilation system working properly?
 - Is the appliance set up too close to a heat source?

If none of the above causes apply and you cannot rectify the fault yourself, contact the nearest customer service department stating the type designation ①, service number ② and appliance number ③ as indicated on the type plate.



The position of the type plate is shown in the section entitled **Description of the appliance.**

Shutting your appliance down

If your appliance is to be shut down for any length of time, switch it off and disconnect the plug or switch off or unscrew the fuse. Clean the appliance and leave the door open in order to prevent unpleasant smells.

The appliance complies with the relevant safety regulations and EU Directives 2014/30/EU, 2014/35/EU, 2009/125/EC and 2011/65/EU.

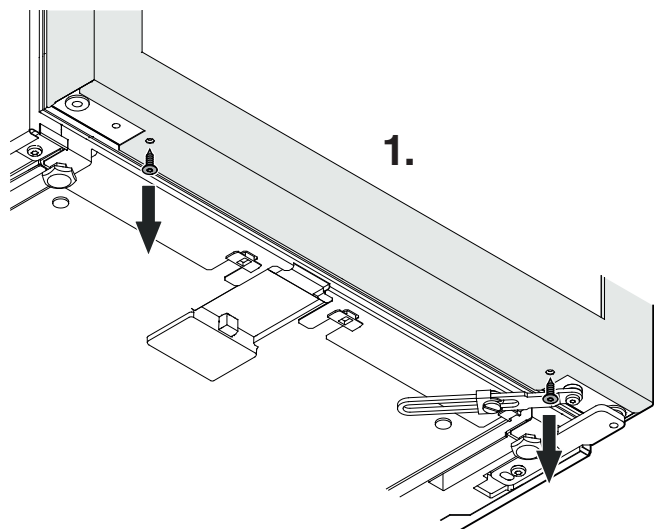
Additional information:

- Food will remain fresh for longer if stored at the correct temperature. This can prevent having to discard food needlessly.
- If the condenser coil is not cleaned every year, it will significantly reduce the appliance's efficiency.
- The period during which spare parts, necessary for the repair of the refrigerating appliance with a direct sales function, are available is 10 years.
- The minimum duration of the guarantee of the refrigerating appliance with a direct sales function offered by the manufacturer, importer or authorised representative is 2 years.

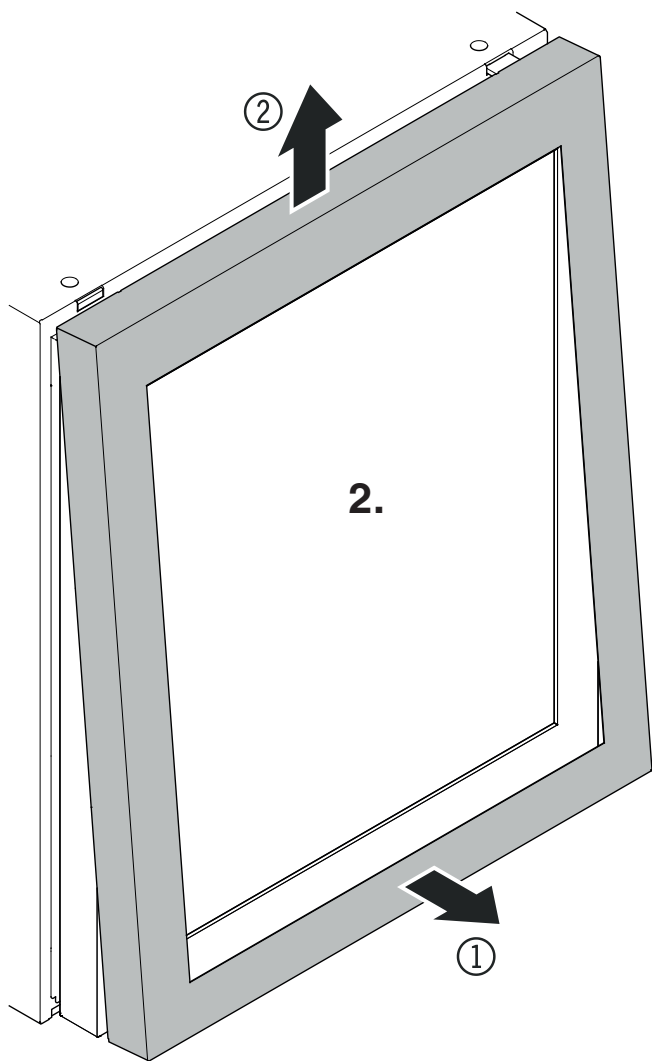
Changing over door hinges

Door hinges should only be changed by a trained expert.

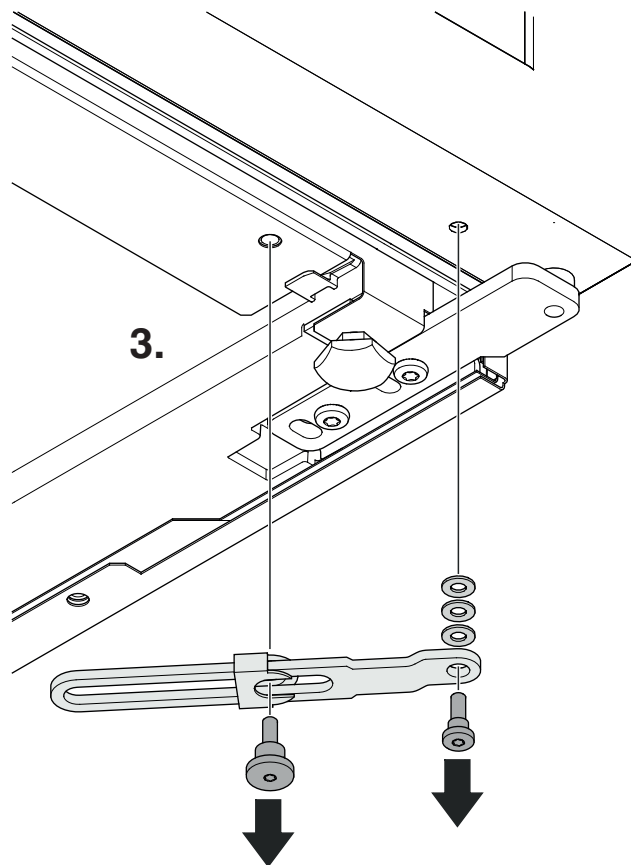
1. Remove the door screws.



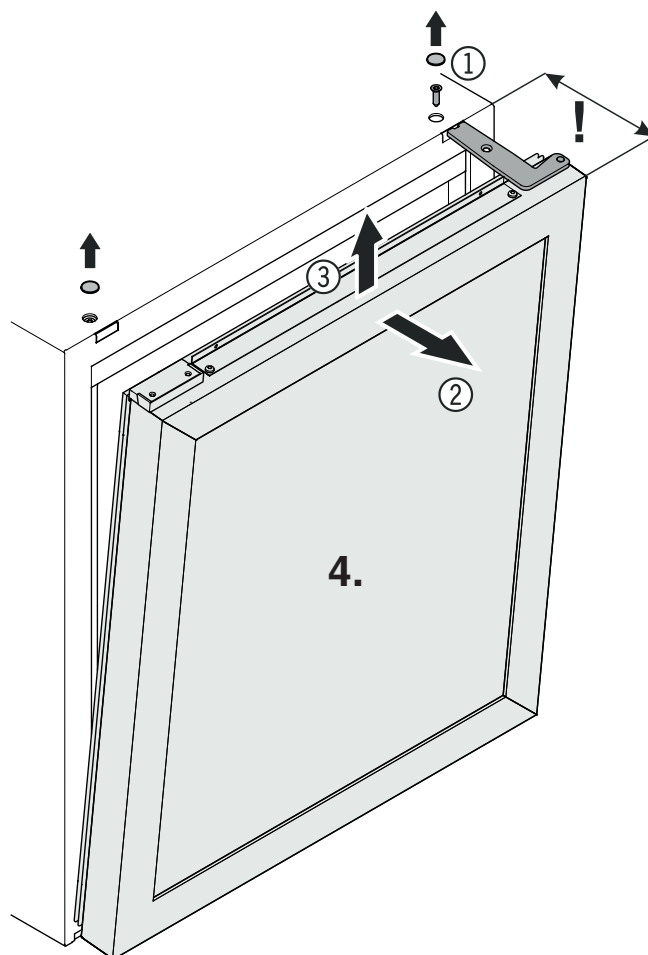
2. Remove the door cover.



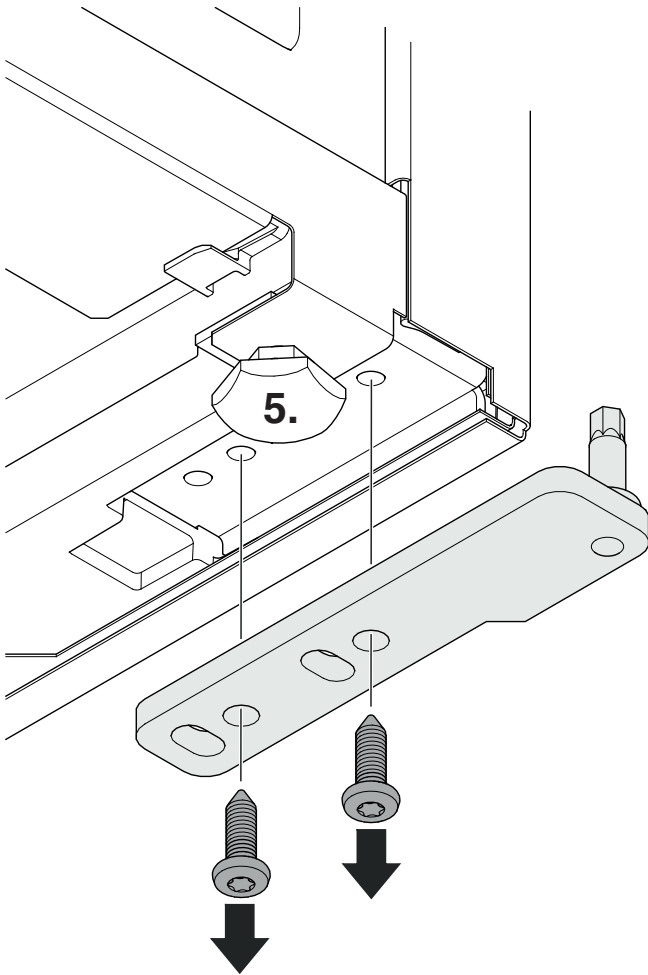
3. Remove the opening limiter.



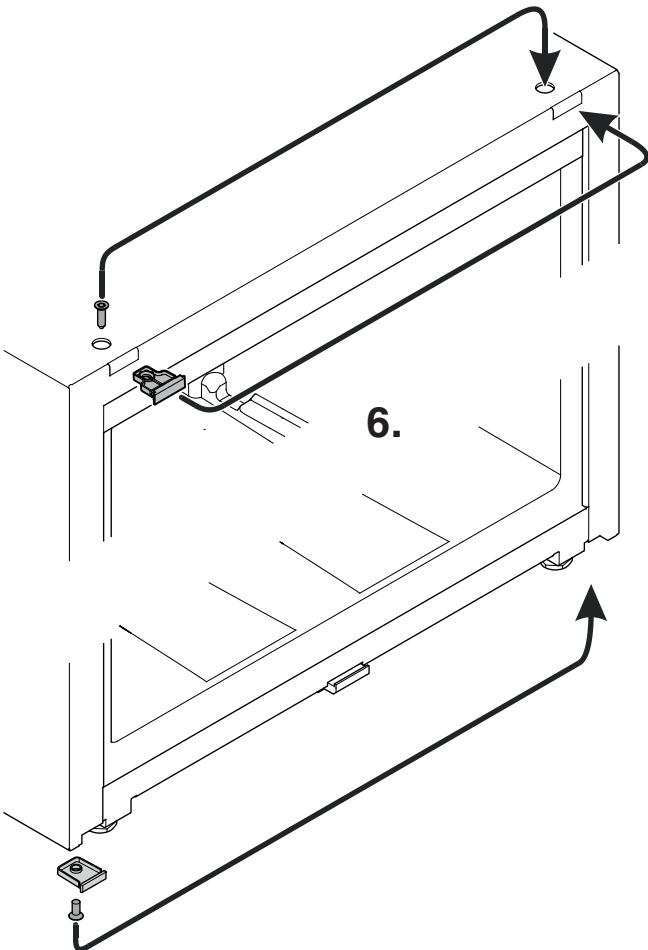
4. Remove the screw in the hinge. Tip the door forward slightly until the hinge can be removed. Remove the door upwards.



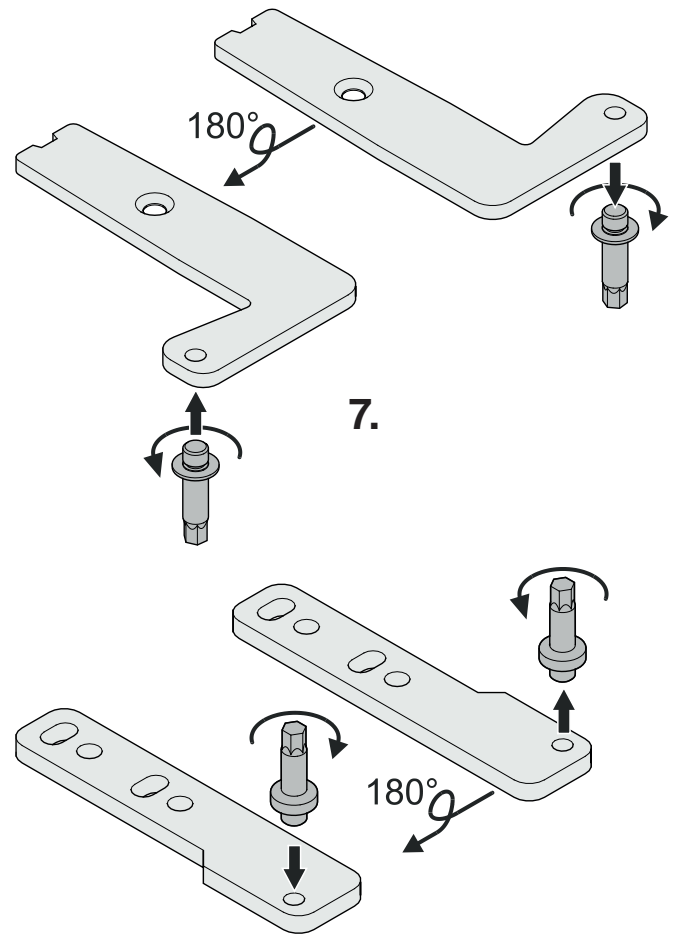
5. Remove the bottom hinge.



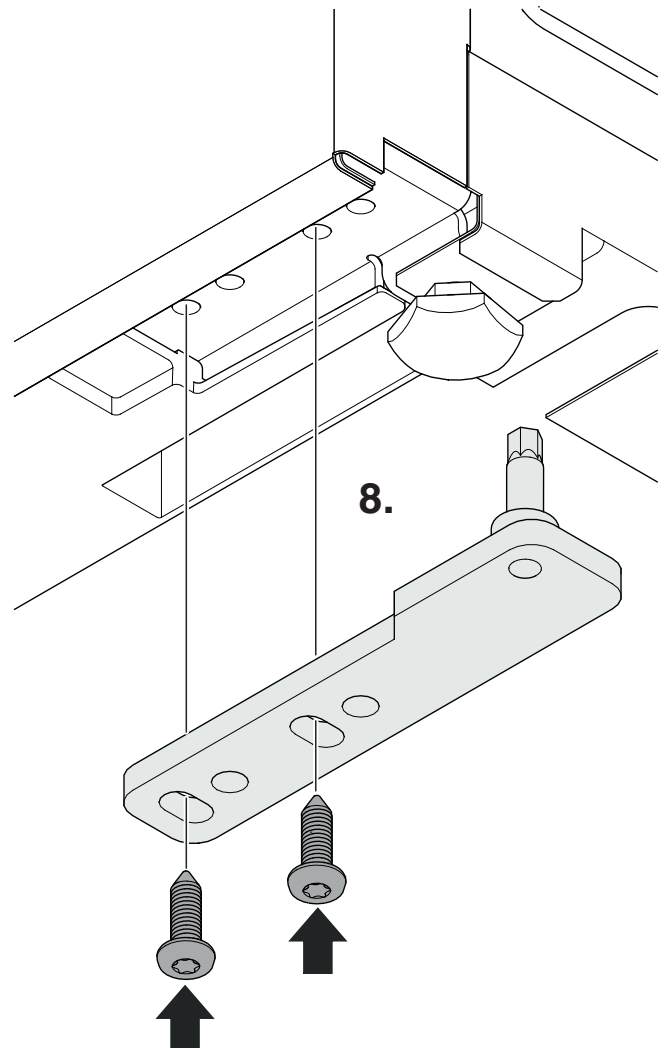
6. Install the hinge covers on the opposite side.



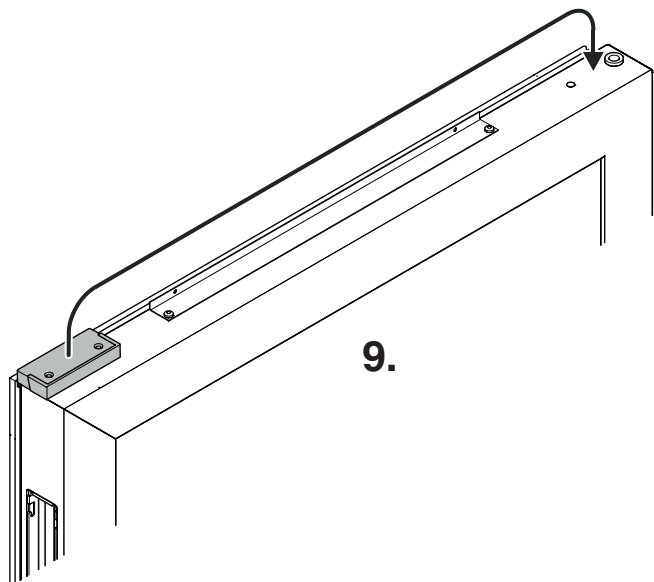
7. Reassemble the top/bottom hinges.



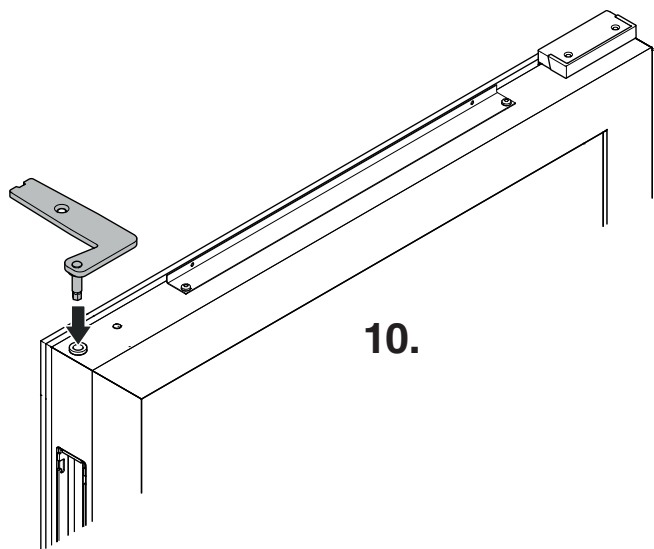
8. Install the bottom hinge.



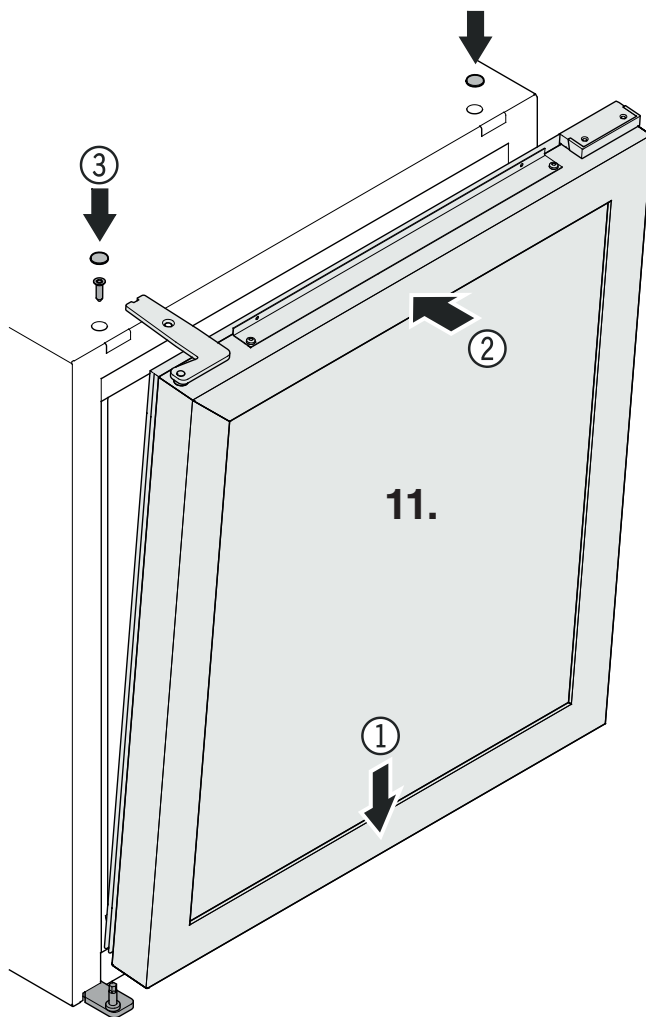
9. Transfer the cover to the opposite side.



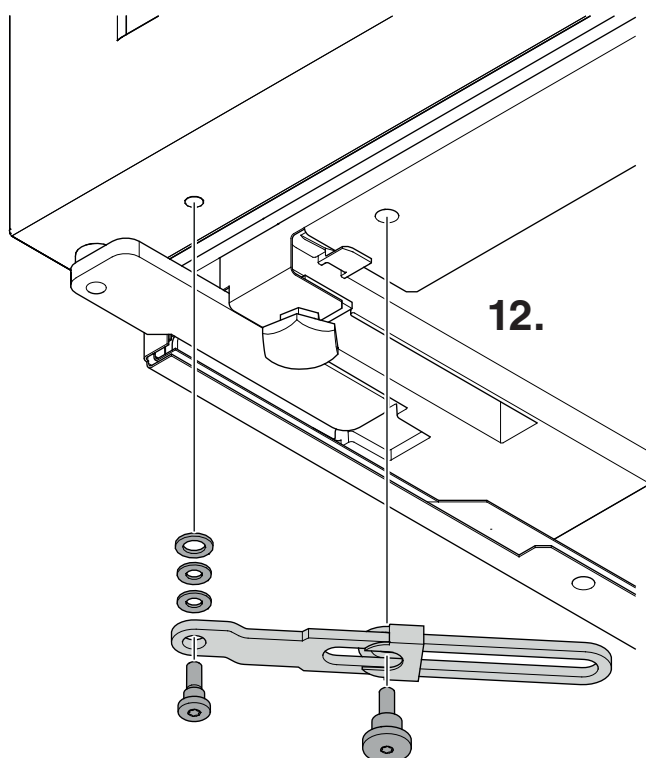
10. Install the hinge at the top of the door.



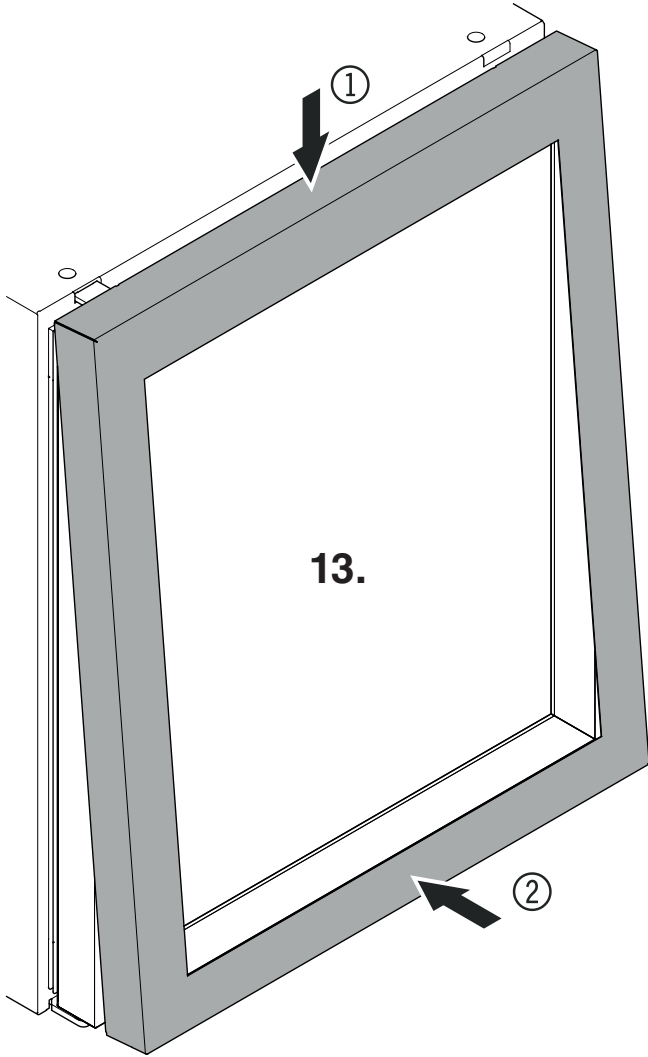
11. Place the door on the bottom hinge at a slight angle. Slide the top hinge into the opening and secure it with the screw.



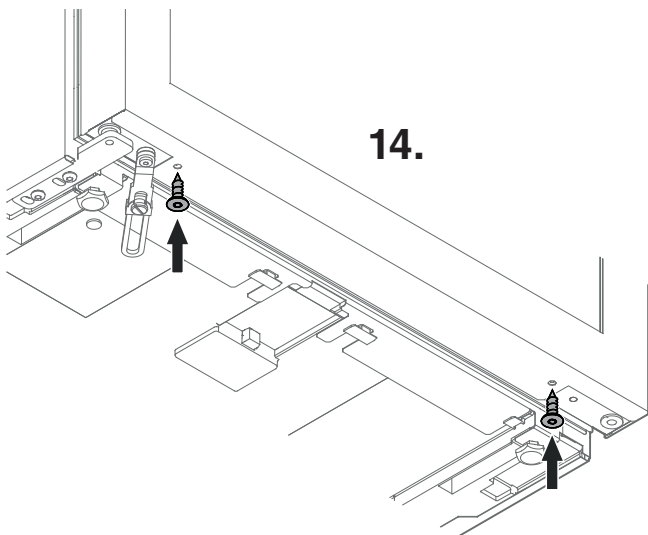
12. Install the opening limiter.



13. Fit the door cover.



14. Tighten the door screws.





Liebherr Hausgeräte Lienz GmbH

Dr.-Hans-Liebherr-Strasse 1

A-9900 Lienz

Österreich

www.liebherr.com

