

---

# ICBNh 5173

---

Integrated fridge-freezer with  
BioFresh Professional and NoFrost  
△ Peak

# LIEBHERR

Fully Integrated



Fully Integrated

**LIEBHERR**

# ICBNh 5173

Integrated fridge-freezer with  
BioFresh Professional and NoFrost

△ Peak

↑  
**178**  
↓



**G** Made  
in Germany

Hydro Breeze	Bio Fresh	No Frost	Duo Cooling	Light Tower	Touch & Swipe-Display	Glass & Steel Interior	Ice Maker	Soft System	Soft-Telescopic Rails
Vario Space	Power Cooling	Super Silent	LED						

Type	Fixed door / Built-in appliance for integrated use
Energy consump. in 365 days/24 h	181 / 0.495 kWh
Volume	BioFresh compartment: 70.7 l / Freezer compartment: 71 l
Noise output	34 dB(A)
Climate rating	SN-T (+10 °C to +43 °C)
Frequency / voltage	50-60 Hz / 220-240 V~
Connection Rating	1.4 A 183 W
Aperture dimensions in cm (h / w / d)	177.2-178.8 / 56-57 / min. 55
<b>Controls</b>	
Type of Control	2.4" TFT-colour display, touch- & swipe Digital temperature display for fridge and freezer compartments
Door alarm	visual and acoustic
Alarm in case of malfunction	visual and acoustic
<b>Fridge compartment</b>	
Forced air system	PowerCooling with Ambilight and FreshAir activated charcoal filter
Door interior	Premium GlassLine storage shelf with bottle holder, Removable VarioBoxes, adjustable egg tray
Interior light	LED light panel both sides LED BioFresh lighting
BioFresh-Safes	2 BioFresh-Safes with SoftTelescopic, 1 FlexSystem
<b>Freezer compartment</b>	
Interior light	LED lighting
Number of drawers	3 drawers, of which 2 set on telescopic rails, VarioSpace
IceMaker	with fixed 3/4" water connection, LED lighting
Ice cube capacity in 24 hours	1.2 kg
Ice cube stock	5.0 kg
Freezing capacity in 24 hours	6 kg
Temperature rise time	9 h
Cold storage accumulators	2
<b>Features</b>	
Door hinges	Reversible door hinge, left
Replaceable door seal	yes
EAN-Nr.	4016803109136



## Features

---



### BioFresh with HydroBreeze

Do you want to cool fruit and vegetables like professionals? You'll be inspired by HydroBreeze. The cold mist combined with a temperature in the safe of just over 0 °C gives food that extra boost for longer shelf life. And it creates a genuine visual wow effect. HydroBreeze is activated every 90 minutes for 4 seconds and for 8 seconds when the door is opened.



### NoFrost

When you open your freezer, you want to see frozen food – and certainly not ice and frost. NoFrost protects the freezer compartment from unwanted icing, which consumes a lot of energy and can be expensive. NoFrost means no more tedious and time-consuming defrosting of the freezer compartment, more time for other things – and saving money.



### Meat & Dairy safe

Do you want the tender veal fillet or fresh milk to stay fresh for as long as possible? The BioFresh safes will ensure this is the case. In the Meat & Dairy Safe, the temperature is close to 0 °C – ideal storage conditions for even the most delicate of foods. And best of all, everything is perfectly adjusted in the factory for immediate use – and for longer freshness.



### DuoCooling

DuoCooling uses two completely separate refrigeration circuits to ensure no air is exchanged between the fridge and freezer compartments. The food neither dries out nor is odour transferred. This means throwing less away, shopping less often, but saving more and greater enjoyment.



### Ambient lighting

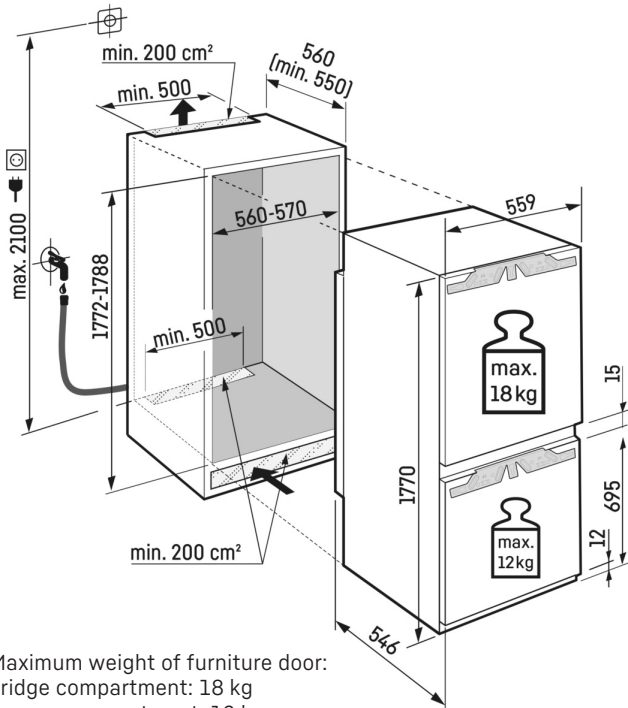
Light creates special design effects – and this includes in your refrigerator with our ambient lighting. The all-round lighting creates unique effects in the interior. And, together with the rear wall in SmartSteel design and the black high-gloss fan, it creates an atmospheric ambience.



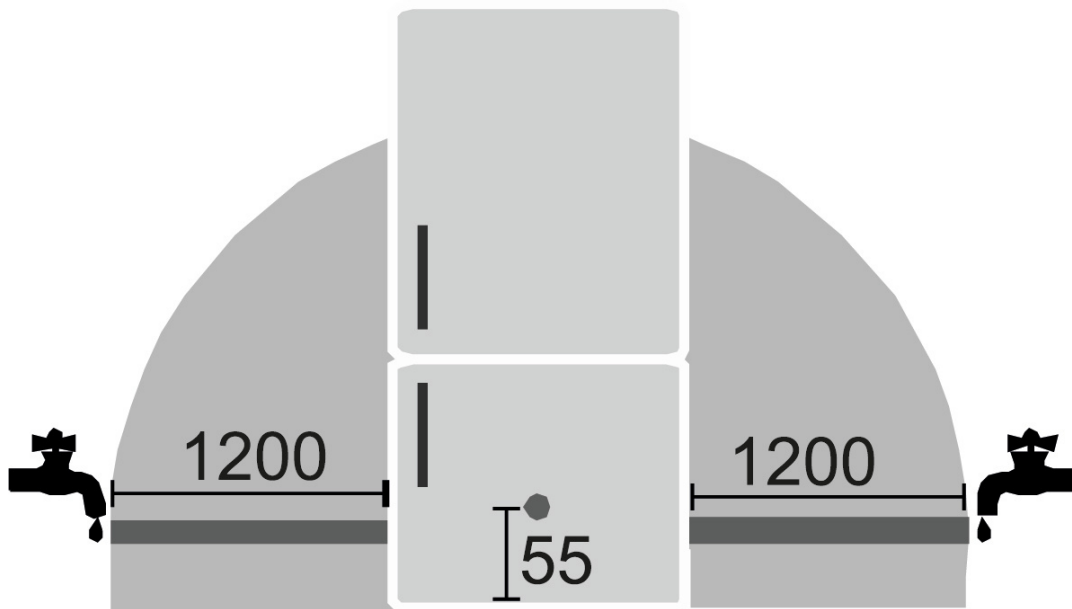
### LightTower

Enjoy an optimally illuminated interior: the LightTower shows off the food in its best light and is positioned so that all of your filled fridge is illuminated at all times. The flush mounting of the LightTower in the side walls means there is also more space for your food.

# Technical drawing



Maximum weight of furniture door:  
Fridge compartment: 18 kg  
Freezer compartment: 12 kg



Products and their details are staged for advertising purposes. Whilst every effort is made to ensure all specifications and information in this flyer are accurate, Liebherr reserves the right to make changes without notification. Where actual appliance measurements, specifications, and ratings are crucial, we recommend that the actual appliance installation instructions that accompany each appliance be checked. (01.03.2023)

