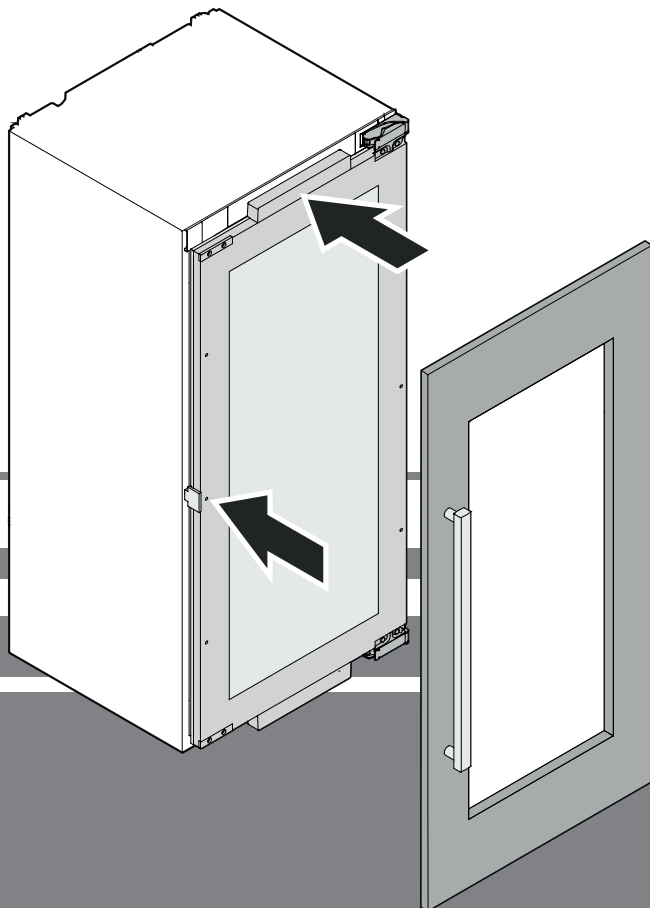


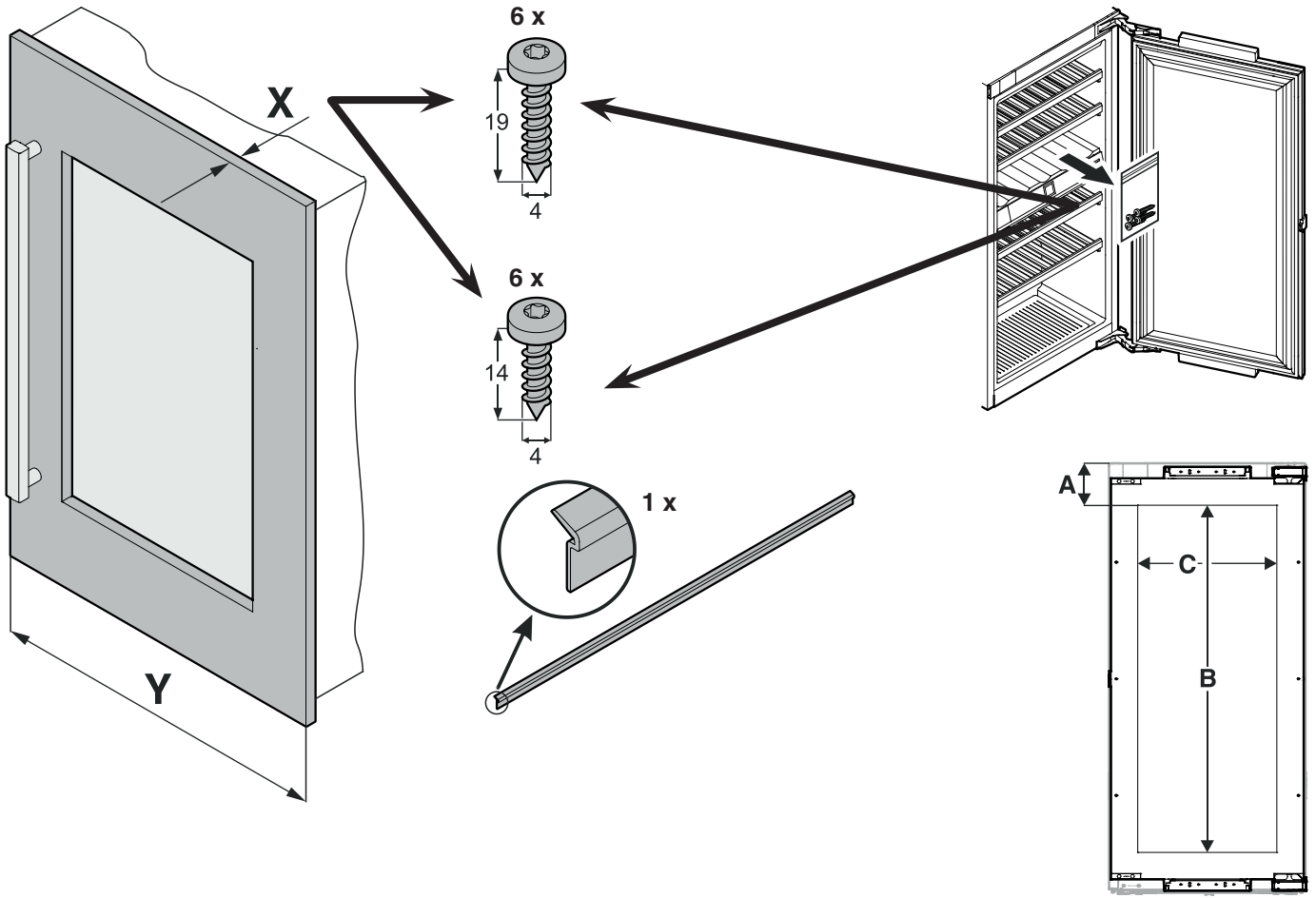
Montageanleitung / Assembly instructions



7085 661-00

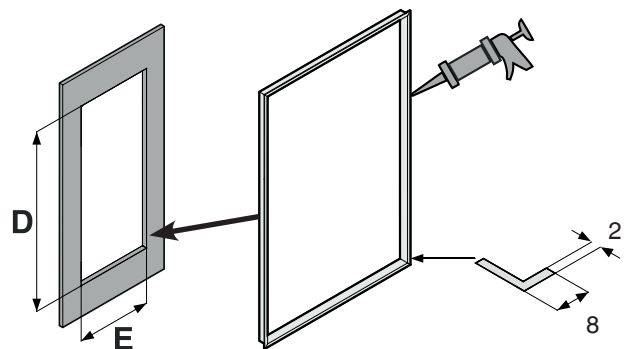
EWTdf 1653 / 2353 / 3553



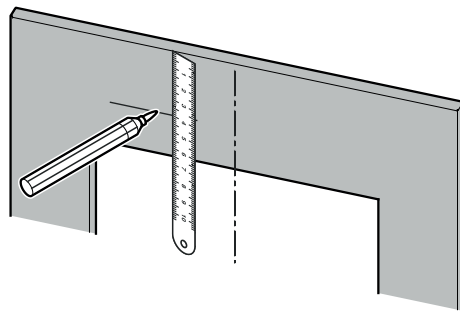
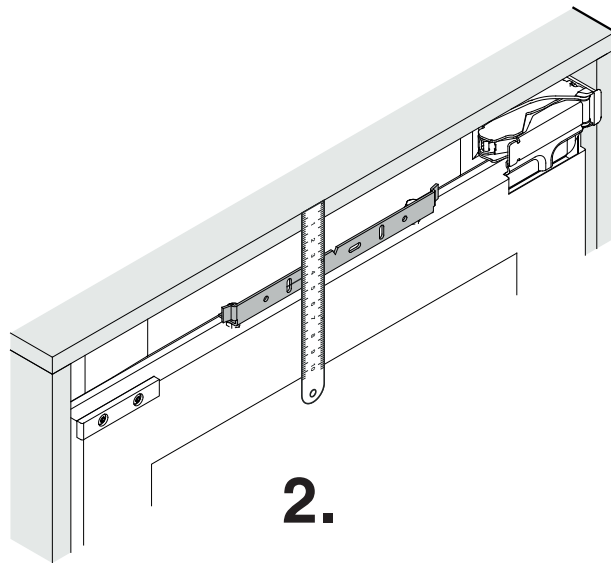
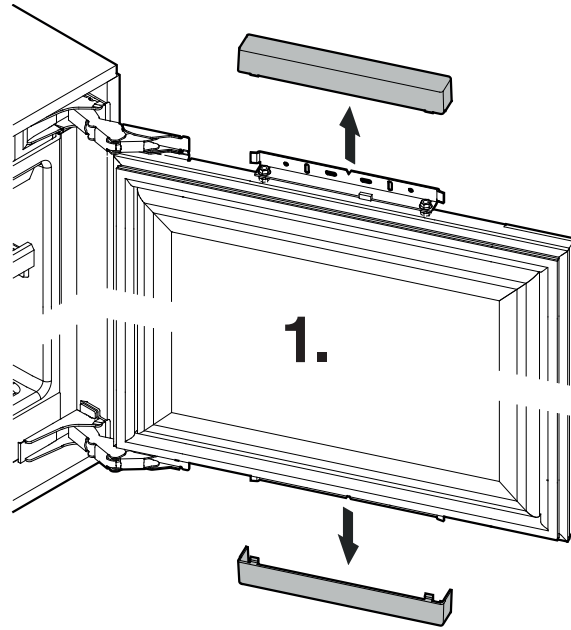


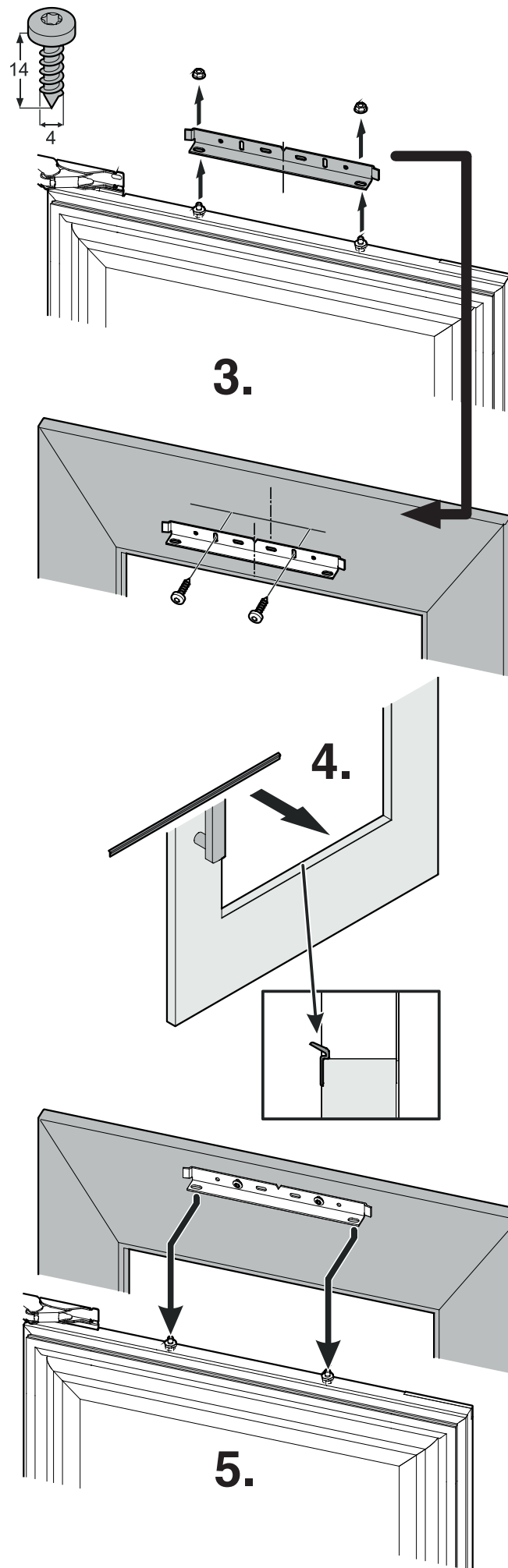
Panel Dimension max.						
	A (mm / MM)	B (mm / MM)	C (mm / MM)	X (mm / MM)		Y (mm / MM)
EWTdf 16..	min. 119	max. 637	max. 395mm	min. 16 max. 22	max. 20kg	595
EWTdf 23..		max. 983				
EWTdf 35..		max. 1535				

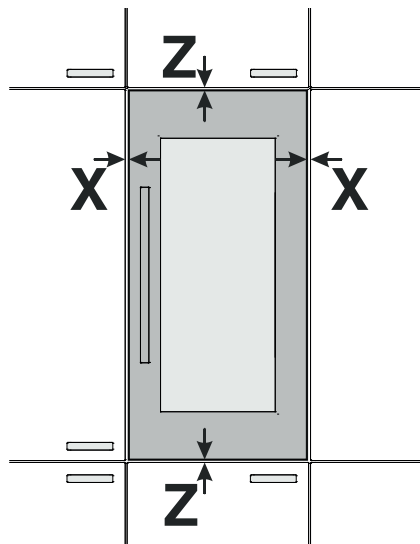
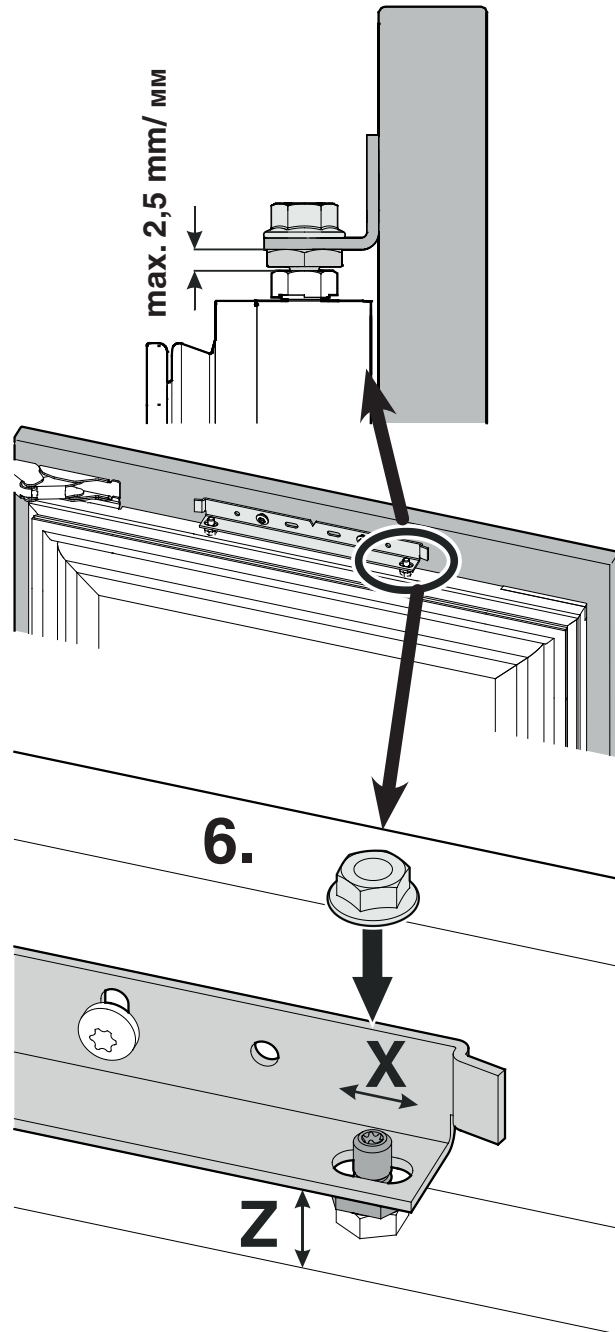
Panel Dimension for aluminium profil frames with thickness 19 or 22 (accessories)

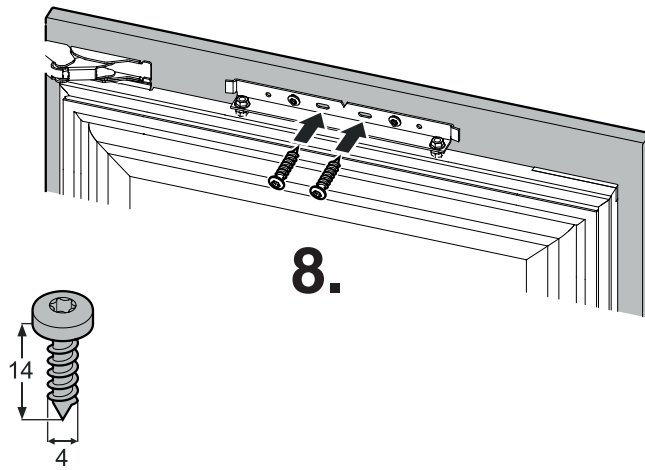
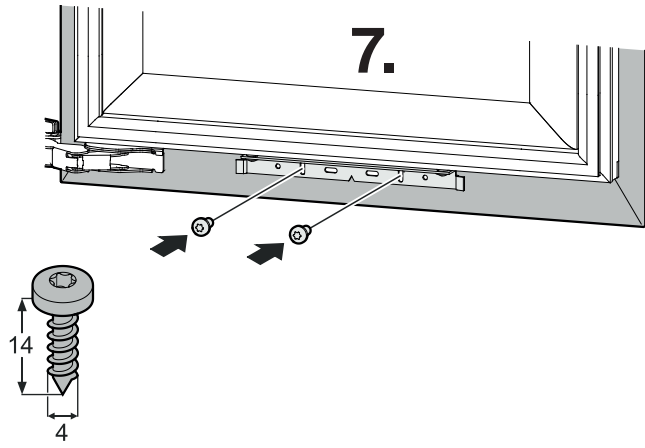


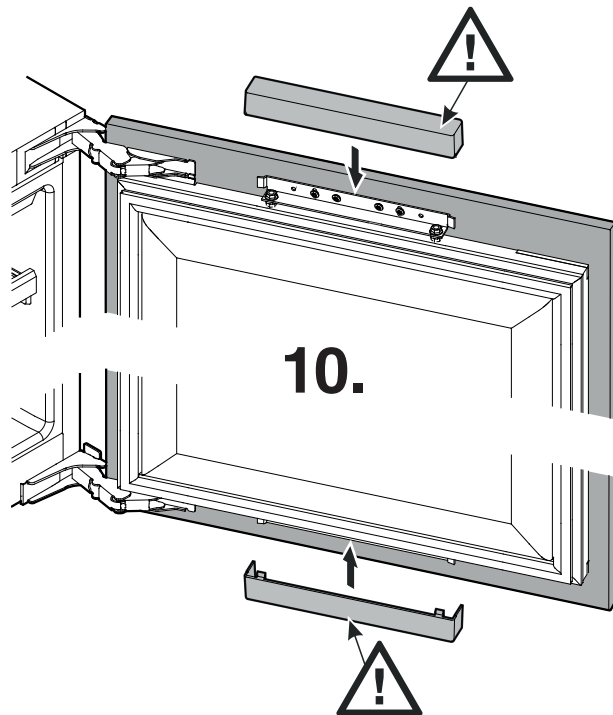
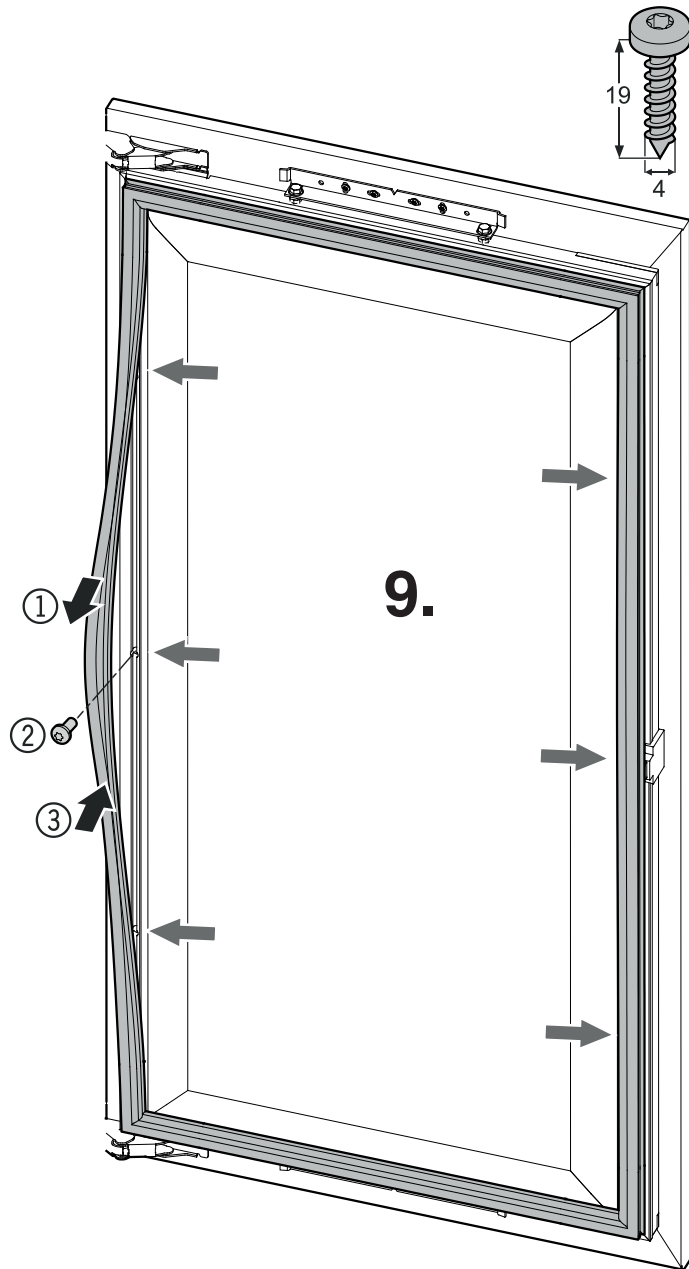
	A (mm / MM)	D (mm / MM)	E (mm / MM)	X (mm / MM)
EWTdf 16..	133	594	391	19 or 22
EWTdf 23..	152	921		
EWTdf 35..	133	1504		













Liebherr Hausgeräte Lienz GmbH * Dr.-Hans-Liebherr-Strasse 1 * A-9900 Lienz ** www.liebherr.com
