

GRT21S1HC

ProfiLine



 GERMAN
ENGINEERING

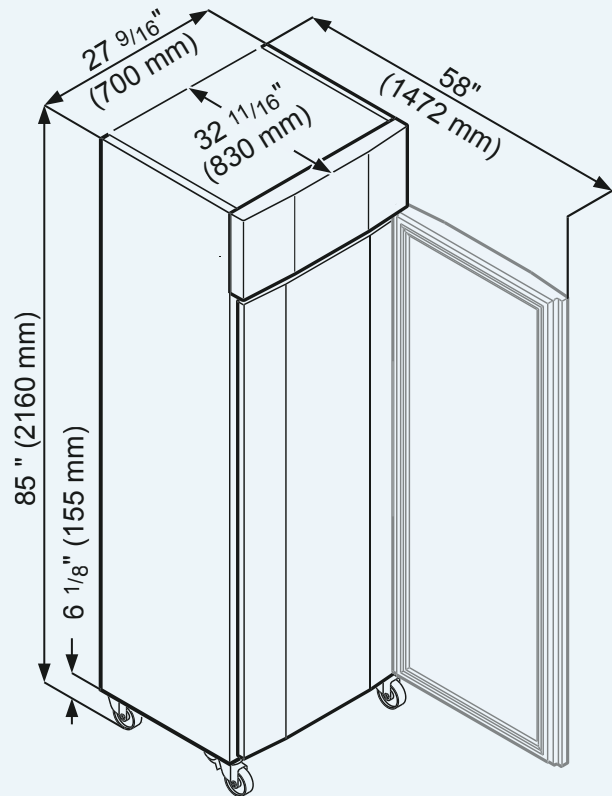
LIEBHERR

Food Service Refrigerator with Top Mount Compressor and Stainless Steel Inner Liner



Single Door Refrigerator with Top Mount Compressor	GRT21S1HC Profiline	LED
Total gross/net capacity cu.ft. (l)	21.1/20.5 (597/580)	
Exterior dimensions in inches (w/d/h) in mm (w/d/h)	27 9/16"/32 11/16"/85 1/8" 700/830/2162	
Interior dimensions in inches (w/d/h) in mm (w/d/h)	20 1/8"/25 5/8"/61 1/16" 510/650/1550	
Energy consumption in 365 days *	464 kWh	
Ambient temperature in °F (°C)	61°F to 109°F (16°C to 43°C)	
Refrigerant	R290	
Sound rating **	62 dB(A)	
Connection rating	4.0 A/400 W	
Frequency/voltage	60 Hz/115V~	
Cooling system	forced-air	
Defrost	automatic	
Temperature range in °F (°C)	28°F to 61°F (-2°C to 16°C)	
External cabinet finish	stainless steel	
Door/lid material	stainless steel	
Internal liner material	stainless steel	
Type of control	electronic control	
Temperature display	external digital	
Alarm	visual and audible	
Alarm forwarding	yes	
Interior light	LED ceiling light	
Adjustable shelves	4	
Shelf material	304-grade stainless steel wire shelves	
Shelf load weight in lbs (kg)	132.3 (60)	
Usable shelf area in inches (mm)	20 1/8"/21 5/16" (510/540)	
Casters	casters with brake at the front, fixed casters at the rear	
Handle	full-length integrated handle	
Lock	recessed	
Self-closing door	yes	
Door hinges	right, reversible on site	
Insulation in inches (mm)	3 5/16" – 2 3/8" (83 – 60)	
Gross/net weight in lbs (kg)	319.7/266.8 (145/121)	
Accessories		
Wire shelf	7112904	
Foot pedal opener	9590659	
Side-by-Side kit	9901969	
Adjustable feet	9593397	

Unit Dimensions



* Measured unloaded at 80°F (26.6°C) ambient temperature with set point of 38°F (3.3°C).

** Noise level – sound power re 1pW – according to IEC 60704-2-14.

Subject to modification. For up-to-date information, visit home.liebherr.com.