



Installation Guide

Quality, Design and Innovation



home.liebherr.com/fridge-manuals





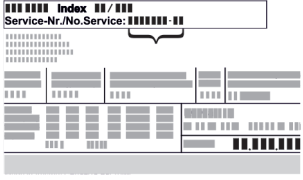




LIEBHERR

General safety instructions

Contents

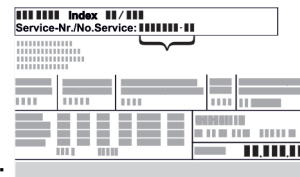
| | | |
|-----|---|---|
| 1 | General safety instructions | 2 |
| 2 | Installation dimensions | 3 |
| 3 | Ventilation requirements | 3 |
| 4 | Transporting appliance | 3 |
| 5 | Unpacking the appliance | 3 |
| 6 | Disposing of packaging | 3 |
| 7 | Door hinge change | 3 |
| 7.1 | Removing the door..... | 4 |
| 7.2 | Moving the upper bearing parts to the other side..... | 5 |
| 7.3 | Moving the lower bearing parts to the other side..... | 5 |
| 7.4 | Moving the door bearing parts to the other side..... | 6 |
| 7.5 | Moving the handles to the other side..... | 6 |
| 7.6 | Fitting the door..... | 7 |
| 7.7 | Aligning the door..... | 8 |
| 7.8 | Fitting the covers..... | 8 |

The manufacturer is continually working on the further development of all types and models. Please be aware that we reserve the right to make changes to the shape, equipment and technology.

| Symbol | Explanation |
|---|--|
|  | <p>Read instructions</p> <p>Please read the information in these instructions carefully to understand all of the benefits of your new appliance.</p> |
|  | <p>Full instructions on the internet</p> <p>You can find detailed instructions on the internet using the QR code on the front of these instruction or by entering the service number at home.liebherr.com/fridge-manuals.</p> <p>The service number can be found on the serial tag:</p>  <p style="text-align: center;"><i>Fig. Example illustration</i></p> |
|  | <p>Check appliance</p> <p>Check all parts for transport damage. If you have any complaints, please contact your agent or customer service.</p> |
|  | <p>Differences</p> <p>These instructions apply to a range of models, so differences are possible. Sections that apply to certain models only are marked with an asterisk (*).</p> |
|  | <p>Instructions and results</p> <p>Instructions are marked with a ▶.</p> <p>Results are marked with a ▷.</p> |
|  | <p>Videos</p> <p>Videos about the appliances are available on the YouTube channels of Liebherr-Hausgeräte.</p> |




1 General safety instructions

- Please keep this assembly manual in a safe place so you can refer back to it at any time.
- If you pass the appliance on, please hand this assembly manual to the next user.
- Read this assembly manual carefully before installation and use to ensure safe and correct use of the appliance. Follow the instructions, safety instructions and warning messages included at all times. They are important for ensuring you can operate and install the appliance safely and without any problems.
- First read the general safety instructions in the “General safety instructions” section of the **operating instructions**, which accompany these installation instructions, and follow them. If you cannot find the **operating instructions**, you can download the **operating instructions** from the internet by entering the service number at home.liebherr.com/fridge-manuals. The service number can be found on the serial



tag:

- **Observe the warning messages and other detailed information in the other sections when installing the appliance:**

| | | |
|---|---------|---|
|  | DANGER | identifies a situation involving direct danger which, if not obviated, may result in death or severe bodily injury. |
|  | WARNING | identifies a dangerous situation which, if not obviated, may result in death or severe bodily injury. |
|  | CAUTION | identifies a dangerous situation which, if not obviated, may result in minor or medium bodily injury. |
| | NOTICE | identifies a dangerous situation which, if not obviated, may result in damage to property. |
| | Note | identifies useful instructions and tips. |

2 Installation dimensions

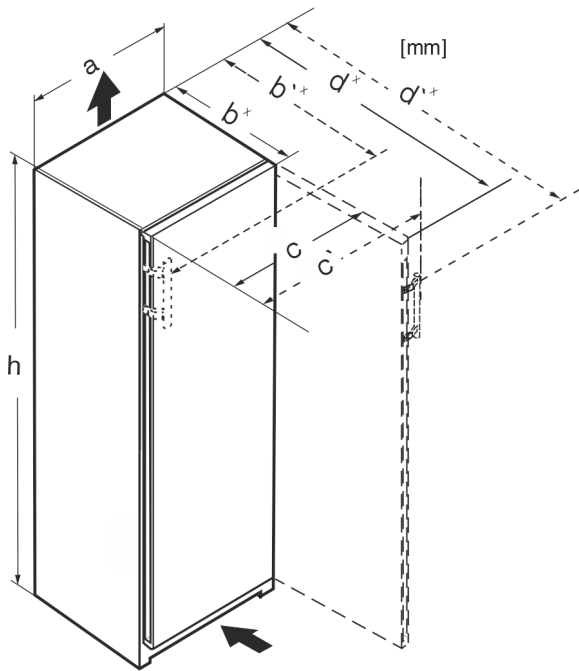


Fig. 1

| | h | a | b | b' | c | c' | d | d' |
|---------------|------|-----|------------------|------------------|-----|-----|-------------------|------|
| R.. 42.. | 1255 | 597 | 675 ^x | – | 609 | – | 1217 ^x | – |
| R... 46.. | 1455 | 597 | 675 ^x | – | 609 | – | 1217 ^x | – |
| Kf 46Z00 | 1455 | 597 | 675 ^x | – | 609 | – | 1217 ^x | – |
| R... 50.. | 1655 | 597 | 675 ^x | – | 609 | – | 1217 ^x | – |
| R(B)... 52.. | 1855 | 597 | 675 ^x | – | 609 | – | 1217 ^x | – |
| Ksfe 52Z20 | 1855 | 597 | 675 ^x | – | 609 | – | 1217 ^x | – |
| SR(B)... 5220 | 1855 | 597 | 675 ^x | – | 609 | – | 1217 ^x | – |
| SRsdh 5220 | 1855 | 597 | 675 ^x | 719 ^x | 609 | 654 | 1217 ^x | 1222 |
| SR... 5230 | 1855 | 597 | 675 ^x | 719 ^x | 609 | 654 | 1215 ^x | 1222 |
| RD... 52.. | 1855 | 597 | 675 ^x | – | 609 | – | 1217 ^x | – |

^x For appliances with supplied wall spacers, the dimensions must be increased by 15 mm .

3 Ventilation requirements

NOTICE

Danger of overheating due to insufficient air ventilation!
The compressor may be damaged if there is insufficient air ventilation.

- ▶ Take care to ensure adequate air ventilation.
- ▶ Observe the ventilation requirements.

If the appliance is integrated into a fitted kitchen, the following ventilation requirements must be adhered to:

- There are spacer fins at the back of the appliance to provide sufficient ventilation. Make sure that these are not positioned in recesses or openings.
- As a rule, the larger the ventilation space the more efficiently the appliance can run.

4 Transporting appliance

Note when transporting the appliance:

- ▶ Transport the appliance upright.
- ▶ Use two people to transport the appliance.

During first use:

- ▶ Transport the appliance packaged.

When transporting appliances after initial commissioning (e. g. moving or cleaning):

- ▶ Empty the appliance.
- ▶ Secure the door against unintentional opening.

5 Unpacking the appliance

Before you connect the appliance, report any damage immediately to the delivery company.

- ▶ Check the appliance and the packaging for damage during transport. Contact the supplier immediately if you suspect any level of damage.
- ▶ Remove all materials from the back or the side walls of the appliance that may prevent proper installation or ventilation.
- ▶ Remove all protective films from the appliance. Do not use sharp or pointed objects for this.
- ▶ Take the power cable from the rear of the appliance. Remove the cable brackets when you do this, otherwise there will be noise caused by vibrations!

6 Disposing of packaging



WARNING

Danger of suffocation due to packing material and plastic film!

- ▶ Do not allow children to play with packing material.

The packaging is made of recyclable materials:

- corrugated board/cardboard
- expanded polystyrene parts
- polythene bags and sheets
- polypropylene straps
- nailed wooden frame with polyethylene panel*

- ▶ Take the packaging material to an official collecting point.

7 Door hinge change

Tools

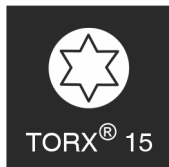


Fig. 2

Door hinge change



WARNING

Danger of injury due to door falling out!

If the bearing parts are not screwed on tightly enough, the door may fall out. This can result in serious injuries. In addition, the door may not close with the result that the appliance does not cool properly.

- ▶ Screw on the bearing brackets/bearing pins tightly with 4 Nm.
- ▶ Check all screws and retighten them if necessary.

These sections apply for appliances **without a soft stop mechanism**:

- For appliances **without** a soft stop mechanism
- For all appliances

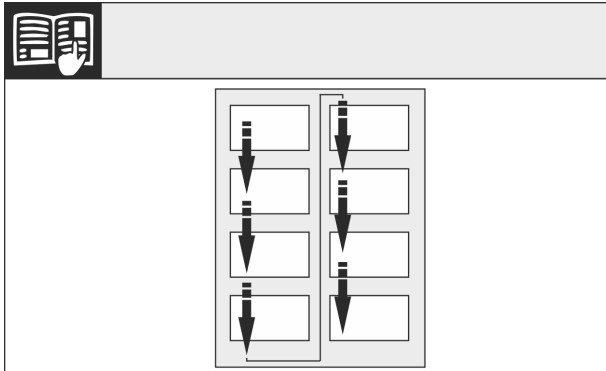


Fig. 3

Remember the reading direction.

7.1 Removing the door

Note

- ▶ Remove any food from the door racks before removing the door, so that no food falls out.

For appliances **without a soft stop**:

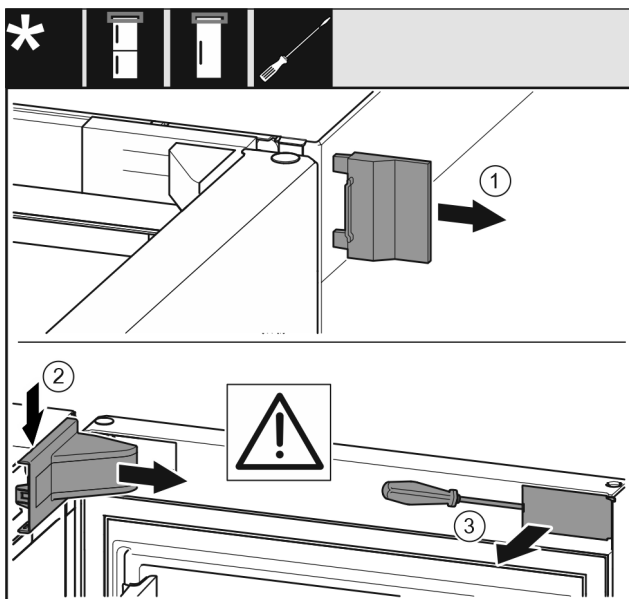


Fig. 4

- ▶ Open the door.

NOTICE

Risk of damage!

If the door seal is damaged, the door may fail to close properly and the cooling will be inadequate.

- ▶ Do not damage the door seal with the screwdriver!

- ▶ Remove the outer cover. Fig. 4 (1)
- ▶ Disengage and release the bearing bracket cover. Remove the bearing bracket cover. Fig. 4 (2)
- ▶ Unlatch the panel with a slotted screwdriver and swivel it to one side. Fig. 4 (3)

For all appliances:

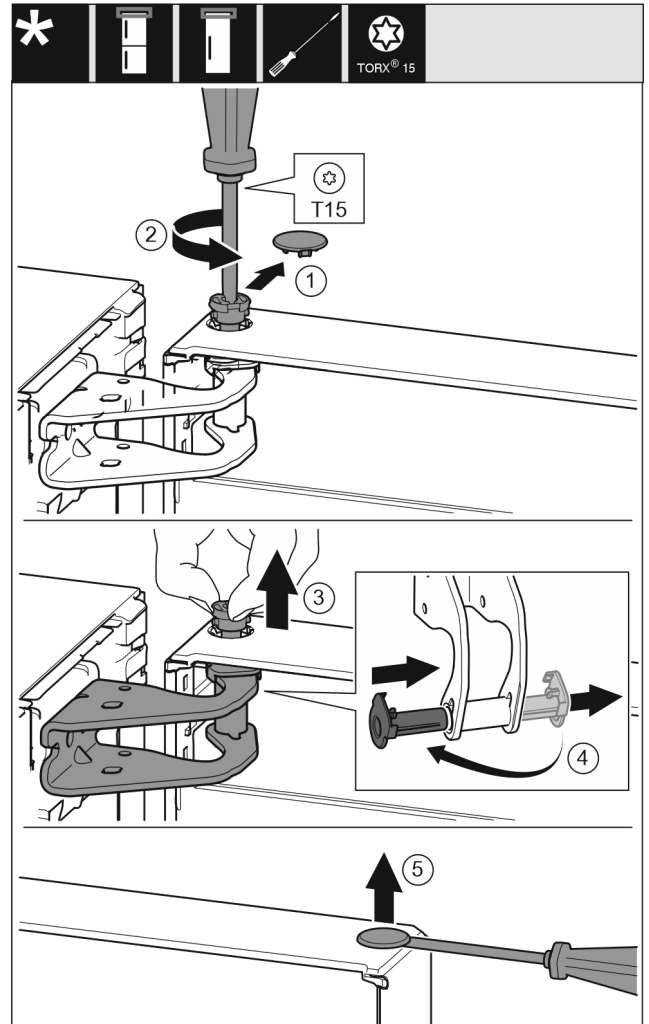


Fig. 5



CAUTION

Risk of injury if the door tips!

- ▶ Take good hold of the door.
- ▶ Set down the door carefully.

- ▶ Carefully remove the protective cover. Fig. 5 (1)
- ▶ Undo the bolt a little with a T15 screwdriver. Fig. 5 (2)
- ▶ Hold the door and remove the bolts with your fingers. Fig. 5 (3)
- ▶ Pull the bearing bush out of the guide. Insert from the other side and latch into place. Fig. 5 (4)
- ▶ Lift the door and place it to one side.
- ▶ Carefully lift the plugs out of the door bearing bush with a slotted screwdriver and pull them out. Fig. 5 (5)

7.2 Moving the upper bearing parts to the other side

For all appliances:

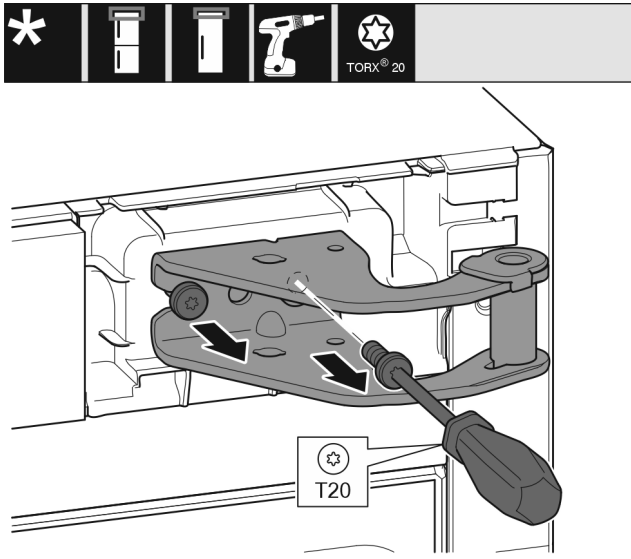


Fig. 6

- ▶ Remove both screws with a T20 screwdriver.
- ▶ Lift up and remove the bearing bracket.

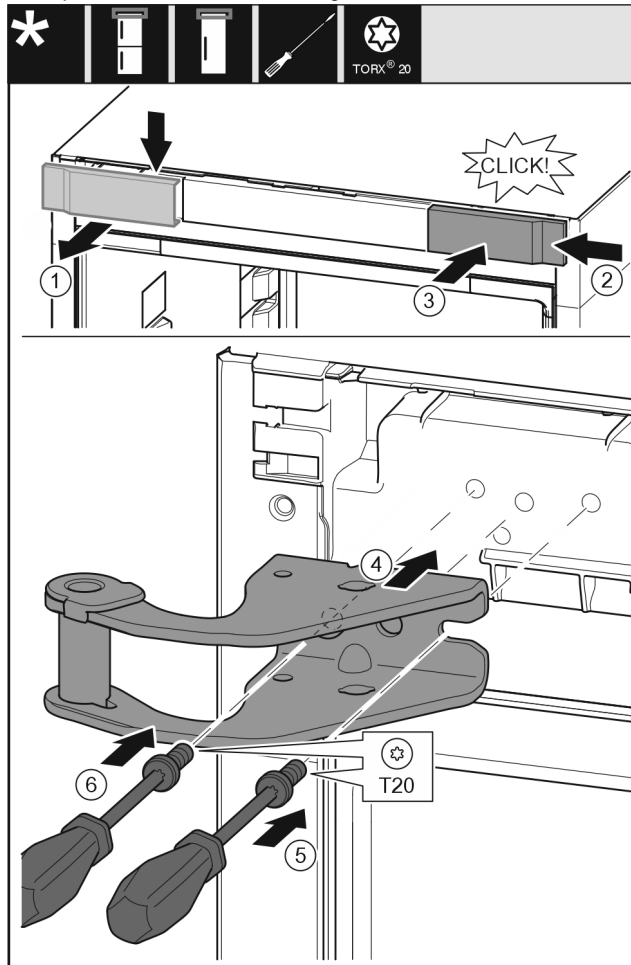


Fig. 7

- ▶ Take off the cover from above to the front. Fig. 7 (1)
- ▶ Rotate the cover 180° and clip onto the other side from the right. Fig. 7 (2)
- ▶ Latch the cover into place. Fig. 7 (3)
- ▶ Position the upper bearing bracket. Fig. 7 (4)

- ▶ Insert the screw with a T20 screwdriver and tighten it. Fig. 7 (5)
- ▶ Insert the screw with a T20 screwdriver and tighten it. Fig. 7 (6)

7.3 Moving the lower bearing parts to the other side

For all appliances:

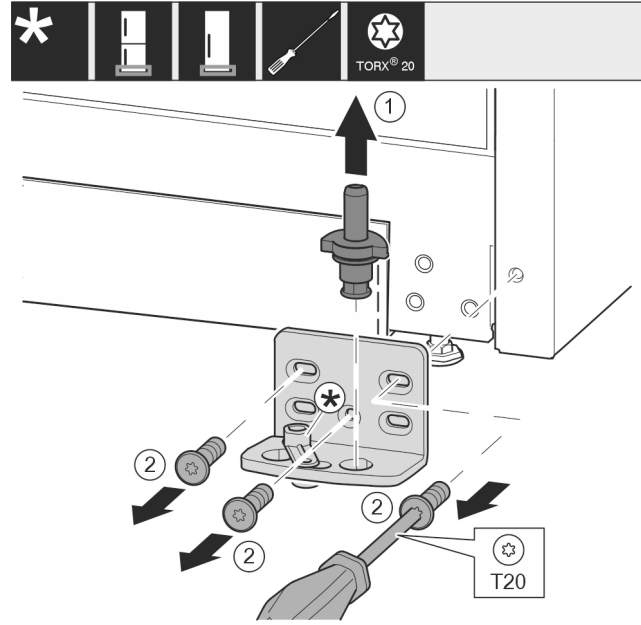


Fig. 8

- ▶ Lift the bearing pin completely upward and pull it out. Fig. 8 (1)
- ▶ Take out the screws with a T20 screwdriver and take off the bearing bracket. Fig. 8 (2)

For appliances without a soft stop:

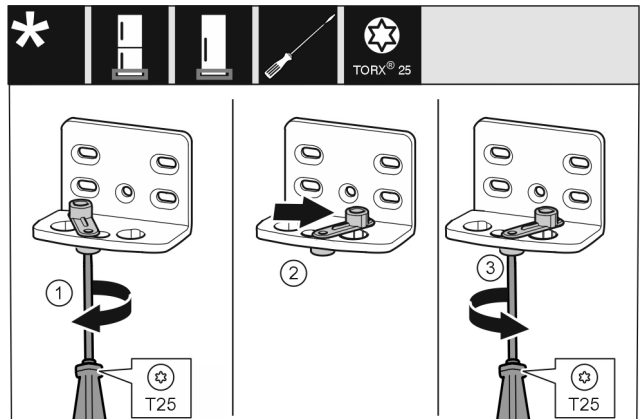


Fig. 9

- ▶ Loosen the screw using a T25 screwdriver. Fig. 9 (1)
- ▶ Lift the door closing aid and turn it 90° to the right in the hole. Fig. 9 (2)
- ▶ Tighten the screw using a T25 screwdriver. Fig. 9 (3)

For all appliances:

Door hinge change

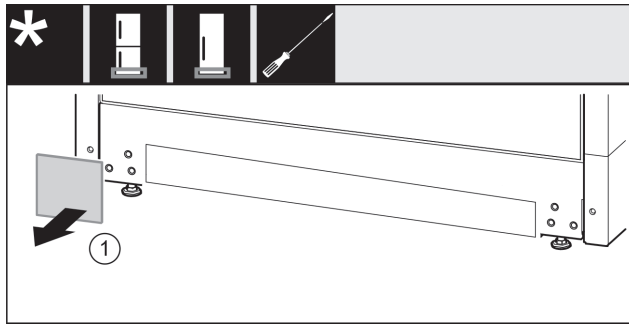


Fig. 10

- ▶ Remove the cover. Fig. 10 (1)

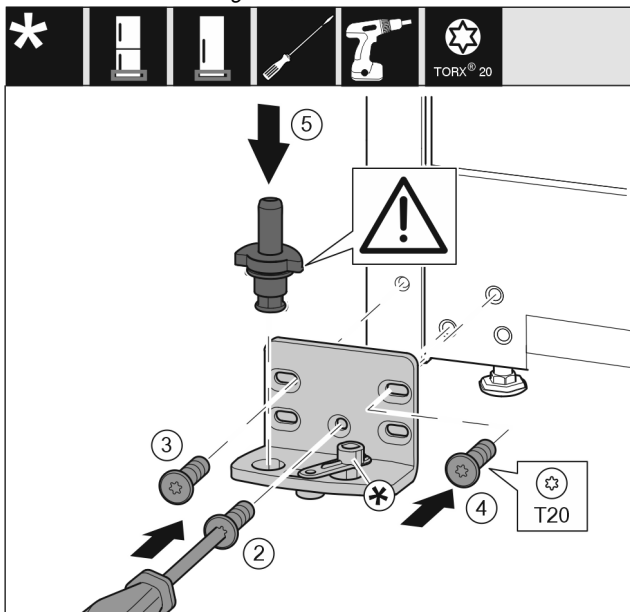


Fig. 11

- ▶ Place the bearing bracket on the other side and screw it on with a T20 screwdriver. Start with screw 2 at the bottom in the middle. Fig. 11 (2)
- ▶ Screw in screws 3 and 4 tightly. Fig. 11 (3,4)
- ▶ Insert the bearing pin completely. Make sure that the latching lug is pointing to the rear. Fig. 11 (5)

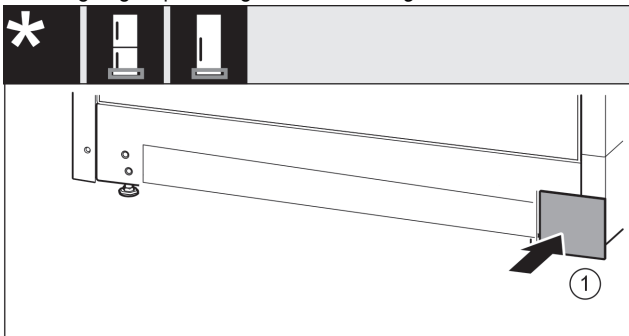


Fig. 12

- ▶ Put the cover back on the other side. Fig. 12 (1)

7.4 Moving the door bearing parts to the other side

For appliances without a soft stop:

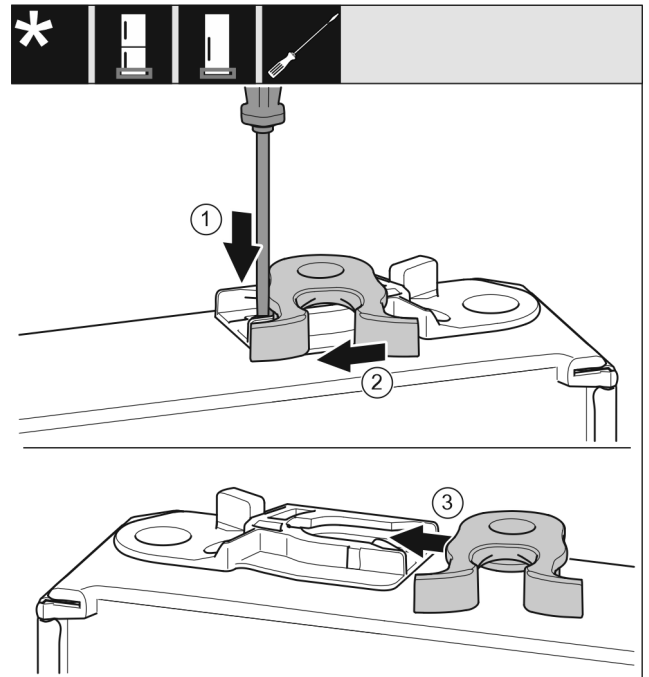


Fig. 13

- ▶ The bottom side of door faces upwards: Turn the door.
- ▶ Push the lug downwards with a slotted screwdriver. Fig. 13 (1)
- ▶ Pull the door latch out of the guide. Fig. 13 (2)
- ▶ Push the door latch into the guide on the other side. Fig. 13 (3)
- ▶ The upper side of door faces upwards: Turn the door.

7.5 Moving the handles to the other side

For all appliances:

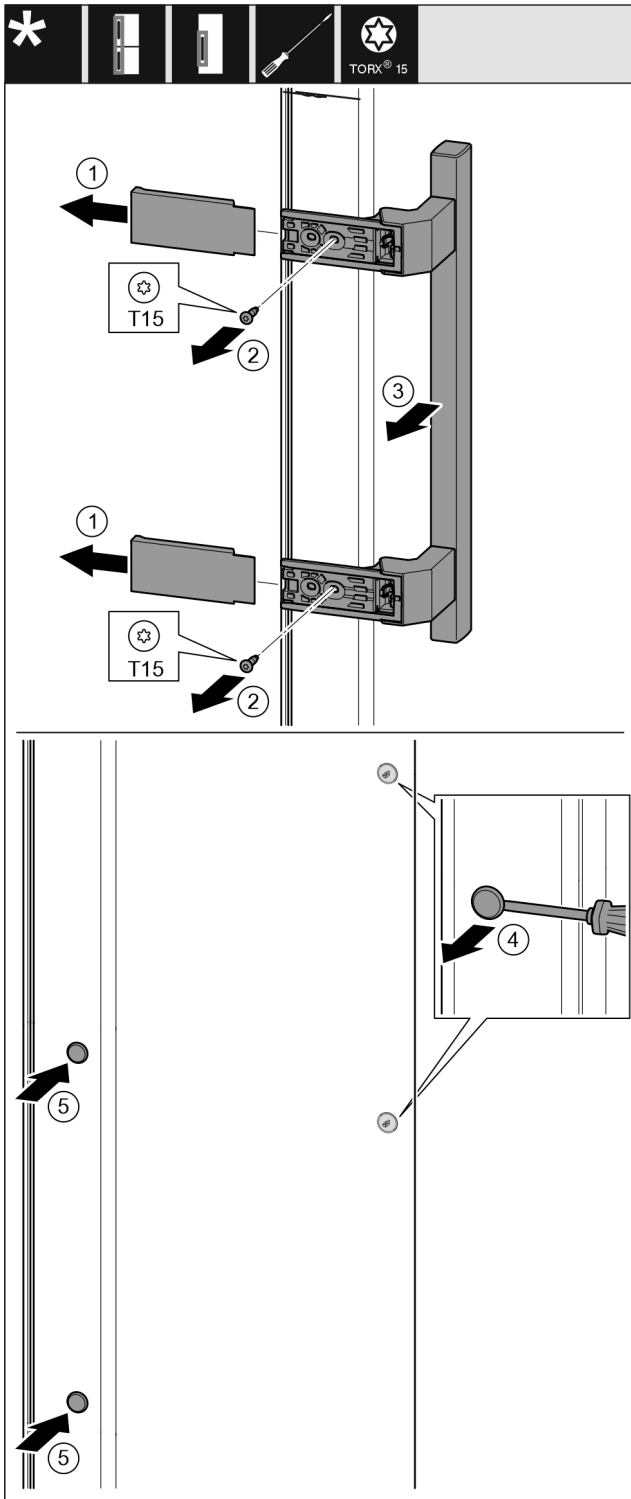


Fig. 14

- ▶ Pull off the cover. Fig. 14 (1)
- ▶ Remove the screws with a T15 screwdriver. Fig. 14 (2)
- ▶ Take off the handle. Fig. 14 (3)
- ▶ Carefully lift up the side plugs with a slotted screwdriver and pull them out. Fig. 14 (4)
- ▶ Insert the plugs again on the other side. Fig. 14 (5)

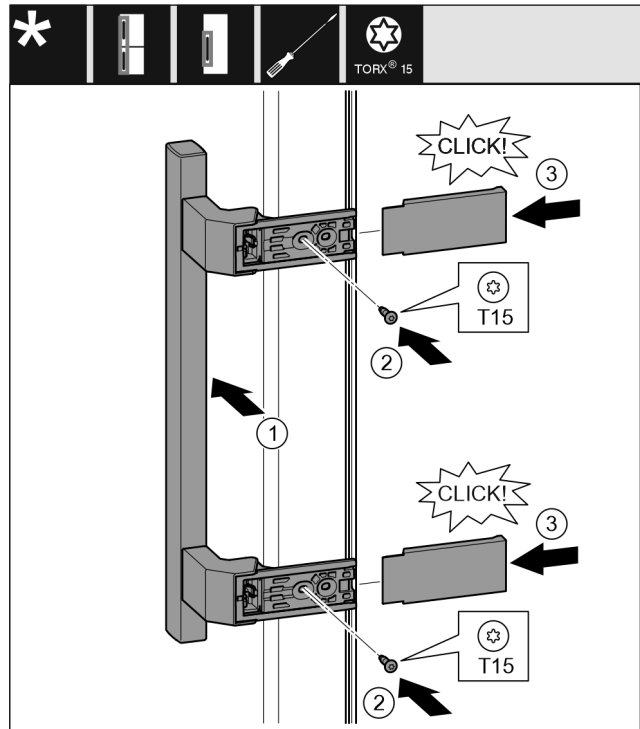


Fig. 15

- ▶ Position the handle on the other side. Fig. 15 (1)
- ▶ The screw holes must be exactly above each other.
- ▶ Tighten the screw with a T15 screwdriver. Fig. 15 (2)
- ▶ Position the covers on the side and push them on. Fig. 15 (3)
- ▶ Ensure that they latch into place.

7.6 Fitting the door

For all appliances:

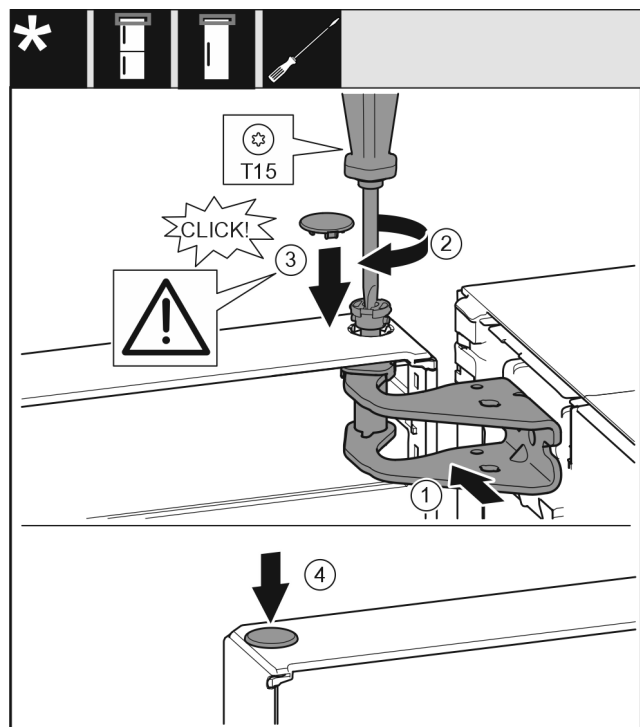


Fig. 16

- ▶ Place the door on the lower bearing pins.
- ▶ Align the top of the door with opening in the bearing bracket. Fig. 16 (1)
- ▶ Insert the bolt and tighten with a T15 screwdriver. Fig. 16 (2)

Door hinge change

- ▶ Fit the protective cover to protect the door: Insert the protective cover and check that it is flush to the door. If not, insert the bolt fully. *Fig. 16 (3)*
- ▶ Insert the plugs. *Fig. 16 (4)*

7.7 Aligning the door

For all appliances:



WARNING

Danger of injury due to door falling out!

If the bearing parts are not screwed on tightly enough, the door may fall out. This can result in serious injuries. In addition, the door may not close with the result that the appliance does not cool properly.

- ▶ Screw the bearing brackets on firmly with 4 Nm.
 - ▶ Check all screws and retighten them if necessary.
-
- ▶ Align the doors flush with the appliance housing using the two slots in the bearing bracket if needed. To do this undo the middle screw in the bottom bearing bracket with the T20 tool supplied. Undo the remaining screws a little with the T20 tool or with a T20 screwdriver and align using the slotted holes.
 - ▶ Prop up the door: Take off the adjustable foot on the bearing bracket using the open-ended wrench SW10 until it comes into contact with the floor, then turn an additional 90°.

7.8 Fitting the covers

For appliances without a soft stop:

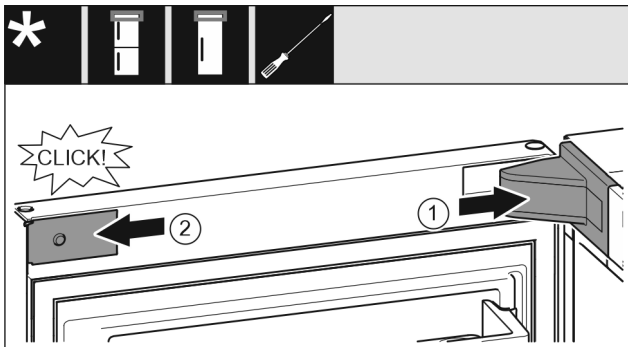


Fig. 17

The door is open 90°.

- ▶ Position the bearing bracket and latch it in place. If necessary push it apart carefully. *Fig. 17 (1)*
- ▶ Position the panel on the side and latch into place. *Fig. 17 (2)*

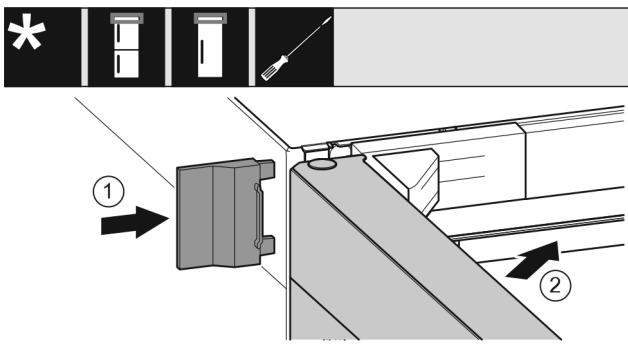
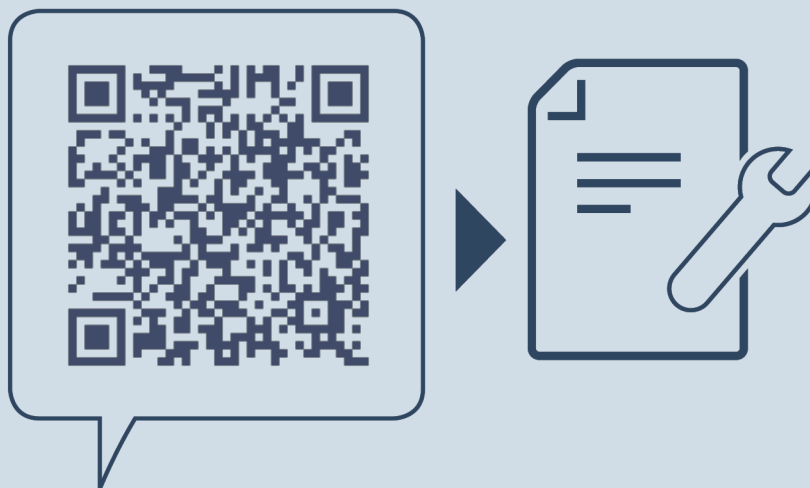


Fig. 18

- ▶ Slide on the outer cover. *Fig. 18 (1)*
- ▶ Close the upper door. *Fig. 18 (2)*



home.liebherr.com/fridge-manuals

EN Refrigerator

Issue date: 20240212

Part number index: 7086341-00

Liebherr-Hausgeräte Marica EOOD
Bezirk Plovdiv
4202 Radinovo
Bulgarien