
SUIK 1510

Built-under fridge for integrated use
Comfort

LIEBHERR

Fully Integrated



Fully Integrated

SUIK 1510

Built-under fridge for integrated use
Comfort

↑
82-88
↓



LIEBHERR

G German
Engineering



Type	Fixed door / Under-worktop appliance for integrated use
Energy consump. in 365 days/24 h	147 kWh
Climate rating	SN-T (+10 °C to +43 °C)
Frequency / voltage	50/60 Hz / 220-240 V~
Connection Rating	1.2 A
Aperture dimensions in cm (h / w / d)	82-88 / 60 / min. 55
Controls	
Type of Control	MagicEye, key electronic Digital temperature display
Door alarm	visual and acoustic
Fridge compartment	
Door interior	Comfort GlassLine storage shelves with bottle holder, adjustable egg tray
Interior light	LED lighting
Fruit and vegetable bins	1 spacious fruit and vegetable drawer
Features	
Side-by-Side concept	Side-panel heating and ceiling heating, suitable for combination with other fridges, freezers and/or wine appliances
Door hinges	Reversible door hinging, right
EAN-Nr.	4016803135654

Features



SuperCool

The automatic SuperCool function lowers the refrigerator temperature down to as far as +2 °C for as long as 12 hours - ideal for rapidly cooling freshly stored food.



Door alarm

The audible door alarm alerts the user if the door has been open for longer than 60 seconds for safe protection of the food.



Transparent vegetable bins

Transparent vegetable bins provide plenty of space for the organised storage of fruit and vegetables. In addition, they are easy to clean.



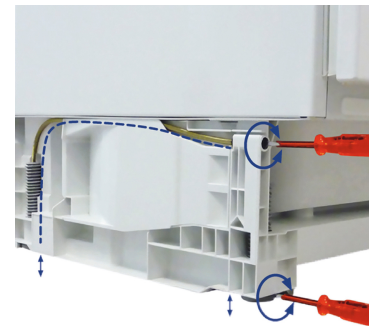
Reversible door hinges

It is possible to change the door hinge on the appliance. The reversible door hinges permit optimum use of the appliance wherever it is located.



Door-on-door system

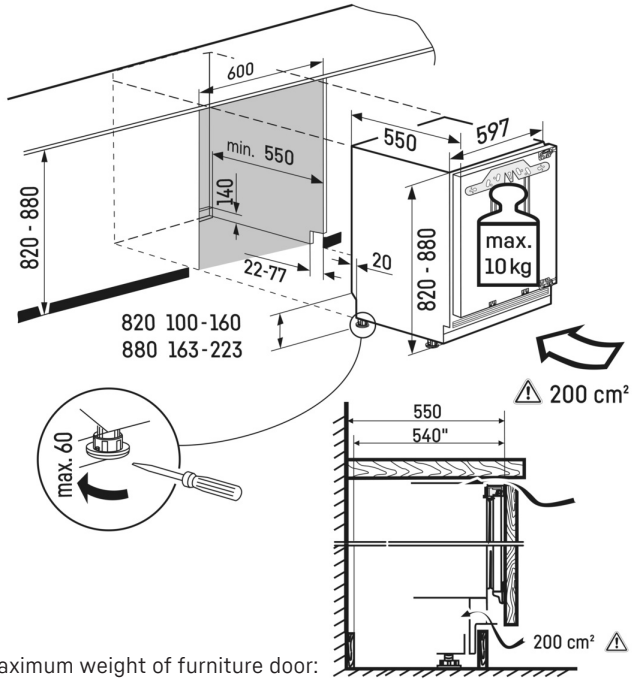
The unit door and appliance door are firmly interconnected with the unit door being fixed directly onto the appliance door.



VarioBase

The VarioBase permits the adjustment of kitchen units in height and depth. All four height-adjustable feet permit adjustment from the front with a 60 mm range. In addition, the ventilation grille can be adjusted within a range of 55 mm to match the front of the kitchen units.

Technical drawing



Products and their details are staged for advertising purposes. Whilst every effort is made to ensure all specifications and information in this flyer are accurate, Liebherr reserves the right to make changes without notification. Where actual appliance measurements, specifications, and ratings are crucial, we recommend that the actual appliance installation instructions that accompany each appliance be checked. Liebherr will not be liable for any damage. (20.06.2024)

