

---

# SBSes 8486

---

Side-by-Side combination  
PremiumPlus

# LIEBHERR

Freestanding



# SWTNes 4265

Fridge-freezer with NoFrost  
PremiumPlus



← 60 →



|                                       |  |
|---------------------------------------|--|
| Energy consump. in 365 days/24 h      | <b>178.850 / 0.490 kWh<sup>1</sup></b>   |
| Total volume                          | <b>278 l<sup>2</sup></b>   |
| Volume                                | Wine compartment: <b>150 l</b> / Freezer compartment: <b>128 l</b>   |
| Door / Side walls                     | <b>SmartSteel / SmartSteel</b>   |
| Exterior dimensions in cm (h / w / d) | <b>185 / 60 / 66.5<sup>3</sup></b>   |
| <b>Controls</b>                       |  |
| Type of Control                       | 2.4" TFT-colour display behind-the-door, touch electronic<br>Digital temperature display for wine and freezer compartments |
| Door alarm                            | visual and acoustic  |
| Alarm in case of malfunction          | visual and acoustic  |
| Child proof function                  | yes  |
| <b>Fridge compartment</b>             |  |
| Forced air system                     | PowerCooling with FreshAir activated charcoal filter   |
| <b>Freezer compartment</b>            |  |
| Star coding                           | <b>****</b>  |
| Interior light                        | LED lighting   |
| Number of drawers                     | 5 drawers, of which 2 set on roller tracks, VarioSpace   |
| IceMaker                              | with fixed 3/4" water connection   |
| Ice cube capacity in 24 hours         | - kg   |
| Ice cube stock                        | 1.8 kg   |
| Cold storage accumulators             | 2  |
| <b>Features</b>                       |  |
| Side-by-Side concept                  | Side wall heating right, suitable for combination with other refrigerators, freezers and/or wine appliances                |
| Door hinges                           | Reversible door hinge, left  |
| EAN-Nr.                               | 4016803050711  |

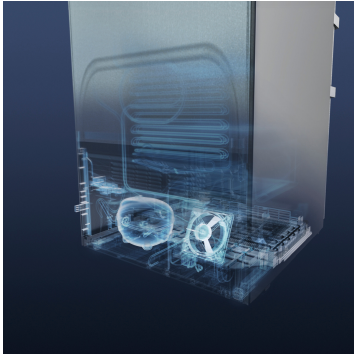
<sup>1</sup> To achieve the indicated energy consumption level, the wall spacers provided with the appliance must be used. These increase the appliance depth by approximately 1.5 cm. If the wall spacers are not used, the appliance will remain fully functional, but will have a slightly higher energy consumption level.

<sup>2</sup> These models are only bound for storing wine. Maximum DIN norm bordeaux bottles capacity (0.75 l) as per norm NF H 35-124 (H: 300.5 mm, Ø 76.1 mm)

<sup>3</sup> In accordance with Regulation EU 2019/2016 we indicate the total volume to the nearest integer (rounded off) and the volume of the frozen compartments and refrigeration compartments to one place after the decimal point.

## Features

---



### BluPerformance

Offering even more interior capacity for food storage, economy and energy efficiency, quiet operation, ease-of-use and exceptional design: Liebherr's BluPerformance appliances set both a new direction in refrigeration and freezing, and new benchmarks.



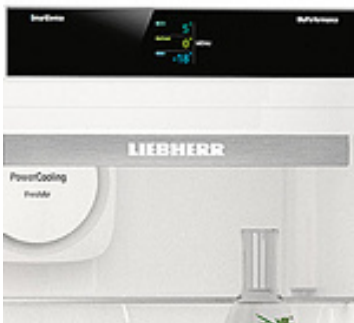
### NoFrost

The NoFrost system from Liebherr provides rapid, fan-assisted, frost-free freezing for the safe, longterm storage of food. The NoFrost technology creates a much larger storage capacity and keeps the freezer constantly frost-free.



### IceMaker with fixed water connection

The plumbed-in IceMaker automatically keeps you topped up with the finest quality ice cubes so that you are prepared for every occasion.



### 2.4" colour display

The high-resolution, high-contrast 2.4" touchscreen display is integrated behind the door and enables accurate temperature settings.



### Handle with integrated opening mechanism

The sturdy, secure handles have an elegant, premium quality appearance and feature an integrated opening mechanism, which allows convenient and effortless door opening.



### PowerCooling

The high-performance PowerCooling system ensures that freshly stored produce is rapidly cooled and that an even temperature is maintained throughout the appliance interior. The FreshAir activated charcoal filter that is integrated into the fan purifies circulating air and quickly traps odours.

# SKBes 4360

Refrigerator with BioFresh  
PremiumPlus



← 60 →



|                                       |   |
|---------------------------------------|---|
| Energy consump. in 365 days/24 h      | <b>116.800 / 0.320 kWh<sup>1</sup></b>  |
| Total volume                          | <b>366 l<sup>2</sup></b>  |
| Volume                                | Fridge: <b>233 l</b> / BioFresh compartment: <b>133 l</b>   |
| Climate rating                        | <b>SN,N,ST,T</b>  |
| Door / Side walls                     | <b>SmartSteel / SmartSteel</b>  |
| Exterior dimensions in cm (h / w / d) | <b>185 / 60 / 66.5<sup>3</sup></b>  |
| <b>Controls</b>                       |   |
| Type of Control                       | 2.4" TFT-colour display behind-the-door, touch electronic<br>Digital temperature display for fridge and BioFresh compartments               |
| Door alarm                            | visual and acoustic   |
| Alarm in case of malfunction          | visual and acoustic   |
| <b>Fridge compartment</b>             |   |
| Forced air system                     | PowerCooling with FreshAir activated charcoal filter  |
| Door interior                         | Premium GlassLine storage shelves with bottle holder,<br>VarioBoxes, adjustable egg tray, butter dish                                       |
| VarioSafe                             | yes   |
| Bottle shelf                          | Variable bottle shelf   |
| Interior light                        | LED ceiling lighting with dimmer function<br>LED BioFresh lighting<br>LED rear wall lighting  |
| BioFresh-Safes                        | 3 BioFresh safes with SoftTelescopic,<br>of which 2 variably adjustable from Fruit & Vegetable safe to<br>DrySafe,<br>1 Fish & Seafood safe |
| <b>Features</b>                       |   |
| Side-by-Side concept                  | Side wall heating left, suitable for combination with other<br>refrigerators, freezers and/or wine appliances                               |
| Door hinges                           | Reversible door hinging, right  |
| EAN-Nr.                               | 4016803051138   |

<sup>1</sup> To achieve the indicated energy consumption level, the wall spacers provided with the appliance must be used. These increase the appliance depth by approximately 1.5 cm. If the wall spacers are not used, the appliance will remain fully functional, but will have a slightly higher energy consumption level.

<sup>2</sup> In accordance with Regulation EU 2019/2016 we indicate the total volume to the nearest integer (rounded off) and the volume of the frozen compartments and refrigeration compartments to one place after the decimal point.

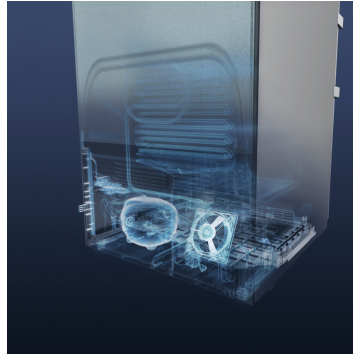
## Features

---



### BioFresh-Plus

BioFresh-Plus with separate electronics provides even more flexibility for individual grocery storage: For example, the temperature in the top compartment can be lowered to -2 °C to store fish. In combination with the DrySafe setting, this keeps fish and seafood fresh for even longer.



### BluPerformance

Offering even more interior capacity for food storage, economy and energy efficiency, quiet operation, ease-of-use and exceptional design: Liebherr's BluPerformance appliances set both a new direction in refrigeration and freezing, and new benchmarks.



### Handle with integrated opening mechanism

The sturdy, secure handles have an elegant, premium quality appearance and feature an integrated opening mechanism, which allows convenient and effortless door opening.



### LED rear panel lighting

The LED rear wall lighting is integrated into the rear section of the horizontal dividing shelf. Energy-efficient, environmentally friendly and maintenance-free LEDs optimally illuminate the back section of the Fridge compartment, from top to bottom and provide high-quality illumination.



### PowerCooling

The high-performance PowerCooling system ensures that freshly stored produce is rapidly cooled and that an even temperature is maintained throughout the appliance interior. The FreshAir activated charcoal filter that is integrated into the fan purifies circulating air and quickly traps odours.

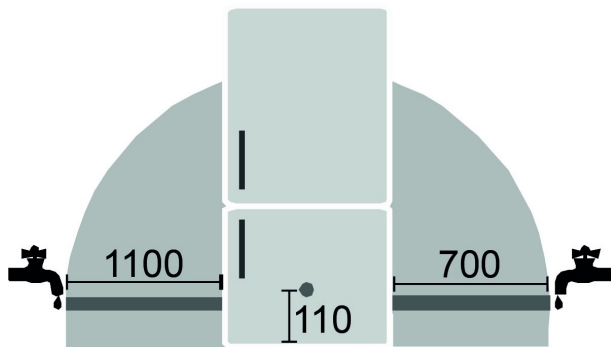
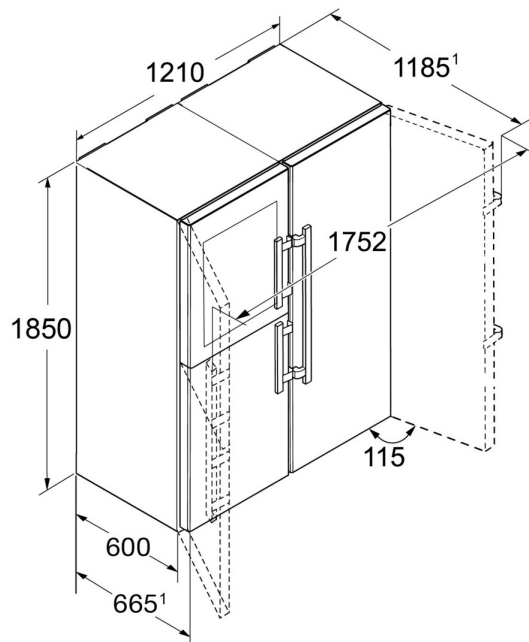


### SabbathMode

On the Sabbath, all activities are at rest – this also applies to electrical appliances. Your Liebherr takes this into account. In SabbathMode, all lighting and displays are switched off and there are no noises generated by actions, e.g. alarms. After 80 hours, the SabbathMode deactivates.

# Technical drawing

---



SWTNes 4265

---

Products and their details are staged for advertising purposes. Whilst every effort is made to ensure all specifications and information in this flyer are accurate, Liebherr reserves the right to make changes without notification. Where actual appliance measurements, specifications, and ratings are crucial, we recommend that the actual appliance installation instructions that accompany each appliance be checked. Liebherr will not be liable for any damage. (26.03.2024)

