
EWTdf 3553

Built-in multi-temperature wine
fridge
Vinidor

LIEBHERR

Fully Integrated



Fully Integrated

LIEBHERR

EWTdf 3553

Built-in multi-temperature wine fridge
Vinidor



↑
178
↓



Type	Fixed door / Built-in appliance with decor panel
Energy consump. in 365 days/24 h	162 kWh
Max. No. of Bordeaux bottles 0.75 Ltr	80 ¹
Frequency / voltage	50/60 Hz / 220-240 V~
Connection Rating	1.0 A
Door	Insulated glass door prepared for cabinet door or stainless steel front
Aperture dimensions in cm (h / w / d)	177.2-178 / 56-57 / min. 55
Controls	
Type of Control	LCD display, touch electronic Digital temperature display for both wine zones
Alarm in case of malfunction	visual and acoustic
Door alarm	acoustic
Child proof function	yes
Features	
Temperature zones	2
Temperature range	+5 °C to +20 °C
Adjustable cooling circuits	2
Forced air system	Convection cooling, fresh air supply via FreshAir activated charcoal filter
Interior light	LED lighting permanently on, dimmable
Shelf material	Beech wood fittings
Storage shelves	10
Pull-out shelves on telescopic rails	8
Door hinges	Reversible door hinging, right
EAN-Nr.	9005382278970

¹ These models are only bound for storing wine. Maximum DIN norm bordeaux bottles capacity (0.75 l) as per norm NF H 35-124 (H: 300.5 mm, Ø 76.1 mm)

Features



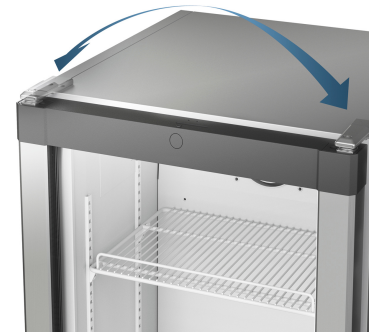
Door alarm

The audible door alarm alerts the user if the door has been open for longer than 60 seconds for safe protection of the food.



Child lock

The child lock is programmed so as to prevent the appliance being inadvertently switched off. A symbol in the MagicEye indicates when the child lock is switched on.



Reversible door hinges

It is possible to change the door hinge on the appliance. The reversible door hinges permit optimum use of the appliance wherever it is located.



Door-on-door system

The unit door and appliance door are firmly interconnected with the unit door being fixed directly onto the appliance door.



Vinidor range

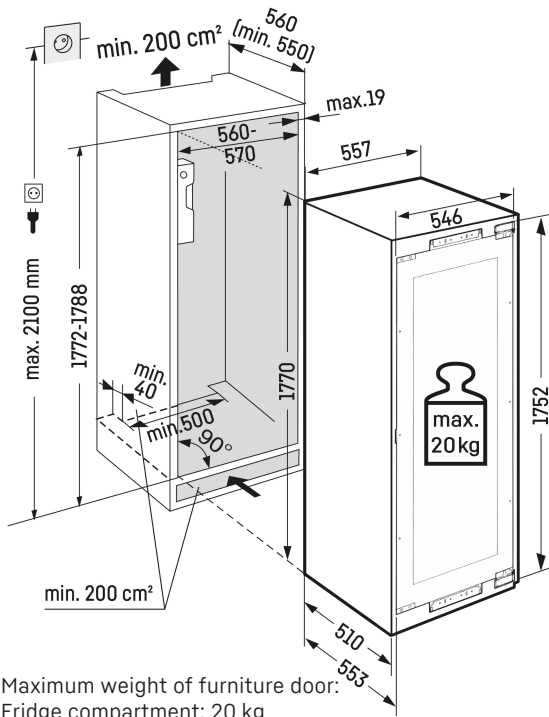
With two or three wine safes that can be precisely regulated from +5 °C to +20 °C independently of one another, the Vinidor appliances offer maximum flexibility of use. The appliance featuring three wine safes can therefore simultaneously keep red wine, white wine and champagne at their optimum serving temperatures. These appliances also provide the ideal climate conditions for long-term wine storage.



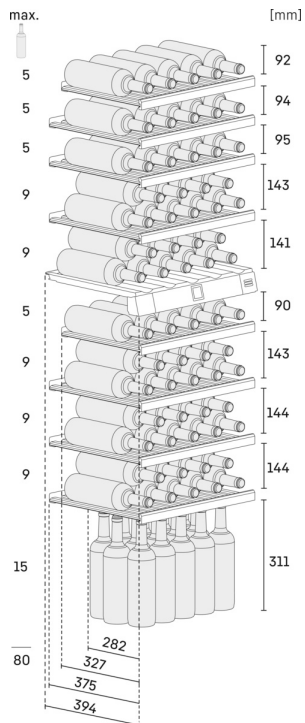
Activated charcoal filter

Environmental odours can affect wines stored for longer periods. In the wine fridge, perfect air quality is ensured through an easily-replaceable FreshAir activated charcoal filter.

Technical drawing



Maximum weight of furniture door:
Fridge compartment: 20 kg



Products and their details are staged for advertising purposes. Whilst every effort is made to ensure all specifications and information in this flyer are accurate, Liebherr reserves the right to make changes without notification. Where actual appliance measurements, specifications, and ratings are crucial, we recommend that the actual appliance installation instructions that accompany each appliance be checked. (18.06.2024)

