



Installation Guide

Quality, Design and Innovation



home.liebherr.com/fridge-manuals





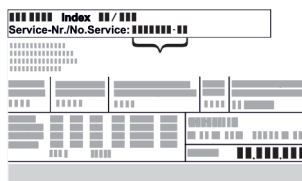
LIEBHERR





General safety instructions

Contents

1	General safety instructions.....	2
2	Installation conditions.....	3
2.1	Location.....	3
2.2	Installing multiple appliances.....	3
2.3	Mains connection.....	3
3	Appliance dimensions.....	4
4	Recess dimensions.....	4
4.1	Internal dimensions.....	4
5	Ventilation requirements.....	4
6	Custom panel weights.....	5
6.1	Weight.....	5
7	Transporting appliance.....	5
8	Transporting the appliance.....	5
9	Unpacking the appliance.....	5
10	Setting up the appliance.....	5
10.1	After installation.....	5
11	Disposing of packaging.....	5
12	What the symbols mean.....	6
13	*** freezer compartment door*.....	6
13.1	Moving the door hinge.....	7
14	Reversing the door.....	7
15	Installing the appliance in the recess.....	8
16	Cabinet fronts.....	15
16.1	Dimensions.....	15
16.2	Mounting the cabinet front(s).....	15
16.3	Setting the clearance to avoid collision.....	16
17	Water tank.....	16
17.1	Inserting the water tank.....	16
18	Water filter.....	16
18.1	Inserting the water filter.....	17
19	Connecting device.....	17

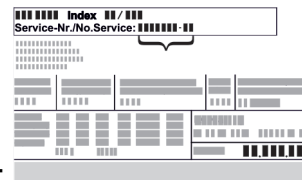
The manufacturer is continually working on the further development of all types and models. Please be aware that we reserve the right to make changes to the shape, equipment and technology.

Symbol	Explanation
	<p>Read instructions</p> <p>Please read the information in these instructions carefully to understand all of the benefits of your new appliance.</p>
	<p>Full instructions on the internet</p> <p>You can find detailed instructions on the internet using the QR code on the front of these instruction or by entering the service number at home.liebherr.com/fridge-manuals.</p> <p>The service number can be found on the serial tag:</p>  <p style="text-align: center;"><i>Fig. Example illustration</i></p>

Symbol	Explanation
	<p>Check appliance</p> <p>Check all parts for transport damage. If you have any complaints, please contact your agent or customer service.</p>
	<p>Differences</p> <p>These instructions apply to a range of models, so differences are possible. Sections that apply to certain models only are marked with an asterisk (*).</p>
	<p>Instructions and results</p> <p>Instructions are marked with a ▶.</p> <p>Results are marked with a ▷.</p>
	<p>Videos</p> <p>Videos about the appliances are available on the YouTube channels of Liebherr-Hausgeräte.</p>


1 General safety instructions



- Please keep this assembly manual in a safe place so you can refer back to it at any time.
- If you pass the appliance on, please hand this assembly manual to the next user.
- Read this assembly manual carefully before installation and use to ensure safe and correct use of the appliance. Follow the instructions, safety instructions and warning messages included at all times. They are important for ensuring you can operate and install the appliance safely and without any problems.
- First read the general safety instructions in the “General safety instructions” section of the **operating instructions**, which accompany these installation instructions, and follow them. If you cannot find the **operating instructions**, you can download the **operating instructions** from the internet by entering the service number at home.liebherr.com/fridge-manuals. The service number can be found on the serial



tag:

- **Observe the warning messages and other detailed information in the other sections when installing the appliance:**

	DANGER	identifies a situation involving direct danger which, if not obviated, may result in death or severe bodily injury.
---	---------------	---

	WARNING	identifies a dangerous situation which, if not obviated, may result in death or severe bodily injury.
	CAUTION	identifies a dangerous situation which, if not obviated, may result in minor or medium bodily injury.
	NOTICE	identifies a dangerous situation which, if not obviated, may result in damage to property.
	Note	identifies useful instructions and tips.

2 Installation conditions



WARNING

Fire hazard due to dampness!

If live parts or the mains lead become damp this may cause short circuits.

- ▶ The appliance is designed for use in enclosed areas. Do not operate the appliance outdoors or in areas where it is exposed to splash water or damp conditions.

Intended use

- Install and use the appliance in indoor spaces only.
- Use the appliance only once installed.

2.1 Location



WARNING

Leaking coolant and oil!

Fire. The coolant contained in the appliance is eco-friendly, but also flammable. The oil contained in the appliance is flammable. Escaping coolant and oil can ignite if the concentration is high enough and in contact with an external heat source.

- ▶ Do not damage the pipelines of the coolant circuit and the compressor.

- If the appliance is installed in a very humid environment, condensation can build up on the outside of the unit. Always ensure good airflow and ventilation in the installation location.
- The more refrigerant there is in the appliance, the larger the space that it is installed in must be. If the space is too small, any leak may create a flammable mixture of gas and air. For every 8 g of refrigerant, the installation space must be at least 1 m³. Information regarding the coolant can be found on the serial tag inside the appliance.

2.1.1 Supporting floor

- The floor of the installation site must be horizontal and even.
- If you are installing the unit in a cabinet standing on an uneven floor: level the cabinet.

2.1.2 Positioning

- Do not install appliance in direct sunlight or next to an oven, radiator or similar.
- Only fit the appliance into solid kitchen units.

Note

Please contact Customer Services to acquire a kit to limit the door opening angle to 90° for appliances with soft close mechanisms.

2.2 Installing multiple appliances

NOTICE

Risk of damage due to condensate!

- ▶ Do not install the appliance directly alongside a further refrigerator/freezer.

NOTICE

Risk of damage due to condensation!

- ▶ Do not install the appliance directly above another refrigerator or freezer.

These appliances are designed for a variety of installation options. Combine appliances only if the appliance is suitable. The following table shows the installation options by model:

Installation option	Model
Single	All models
Side-by-side (SBS)	Model names starting with S...
Stacked	Models up to a maximum recess height of 880 mm and with a heated cover can be "stacked". Upper appliance: up to a maximum recess height of 140 mm

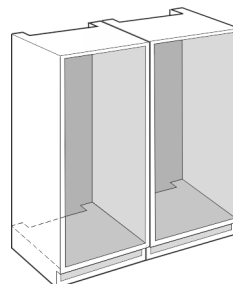


Fig. 1

Build each appliance into a separate recess.

2.3 Mains connection



WARNING

Danger of fire due to incorrect positioning!

If the mains cable or plug touches the back of the appliance, the vibration can damage the mains cable or the plug resulting in a short circuit.

- ▶ Make sure the mains cable is not trapped under the appliance when you position the appliance.
- ▶ Stand the appliance so that it is not touched by connectors or main cables.
- ▶ Do not connect any appliances to sockets in the area of the back of the appliance.
- ▶ Do **not** place and operate multi-sockets/power distributors and other electronic devices (such as halogen transformers) at the back of the appliances.

Appliance dimensions

3 Appliance dimensions

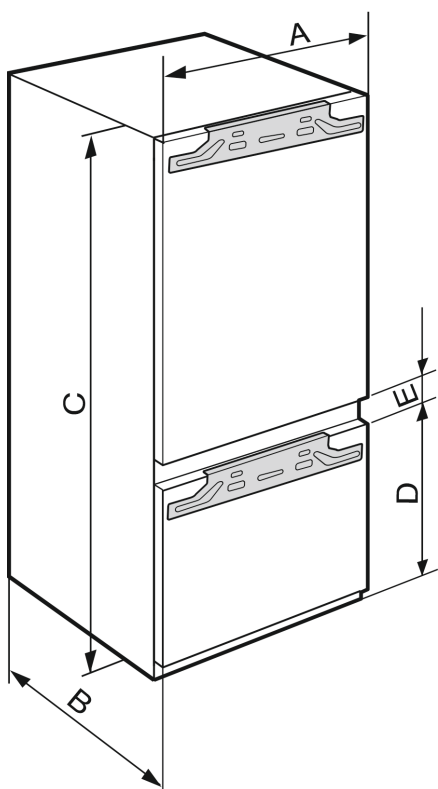


Fig. 2

	A (mm)	B (mm)	C (mm)	D (mm)	E (mm)
IRC/B/e	559	546	1770	612	34

4 Recess dimensions

4.1 Internal dimensions

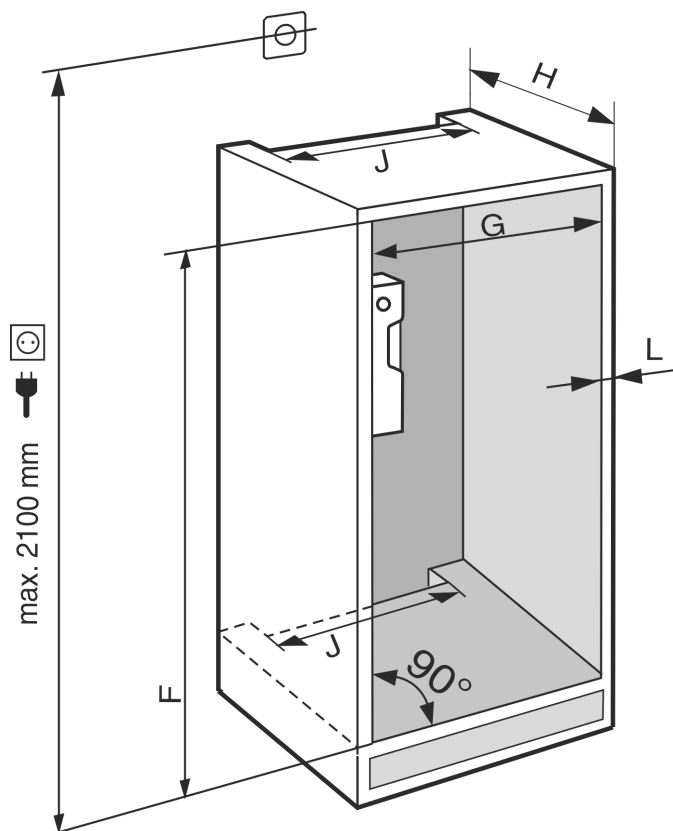


Fig. 3

	F (mm)	G (mm)	H (mm)	J (mm)	L (mm)
IRC(B).. 51..	1772 to 1788	560 to 570	min. 550, recommended 560	min. 500	max. 19

The specified energy consumption was determined with a kitchen unit depth of 560 mm . The device will work properly at a kitchen unit depth of 550 mm , but with a slightly higher energy consumption.

- ▶ Check the wall thickness of adjacent cabinets: They must have a minimum of 16 mm .
- ▶ Only fit the appliance into stable, solid kitchen units. Secure the unit against tipping.
- ▶ Align the cabinets with a spirit level and a try square. If necessary, level them by putting something underneath them.
- ▶ Make sure floor and the side panels of the cabinet are at right angles to each other.

5 Ventilation requirements

NOTICE

Covered vents!

Damage. Appliance can overheat, which can reduce the service life of various parts of the appliance and lead to operational impairments.

- ▶ Always make sure there is good ventilation.
- ▶ Always keep vents or ventilation grids in the appliance housing and in the kitchen furniture (fully integrated appliance) unobstructed.
- ▶ Always keep the fan air vents unobstructed.

Always follow the required ventilation gaps:

- The depth of the ventilation shaft at the back of the cabinet must be at least 38 mm.
- At least 200 cm² is required for the ventilation gap cross sections in the plinth and the housing cabinet.
- As a rule, the larger the ventilation cross-section, the more efficiently the appliance will run.

Sufficient ventilation is required for the operation of the appliance. The ventilation grids provided ensure an effective ventilation cross-section on the appliance of 200 cm². If you replace the ventilation grids with a cover plate the ventilation cross-section must be at least as large as the ventilation grid provided by the manufacturer.

6 Custom panel weights

6.1 Weight

NOTICE

An excessively heavy custom panel can potentially cause damage!

If the custom panel is too heavy, damage to the hinges cannot be ruled out, which may compromise the functionality of the unit.

- ▶ Before fitting the custom panel, ensure the custom panel does not exceed the permissible weight.

Recess height (mm)*	Appliance type*	Maximum weight of custom panel (kg)*	
		Fridge section door*	Freezer section door*
1780	IRC...51	18	12

Appliances with cellar compartment

7 Transporting appliance

Note when transporting the appliance:

- ▶ Transport the appliance upright.
- ▶ Use two people to transport the appliance.

During first use:

- ▶ Transport the appliance packaged.

When transporting appliances after initial commissioning (e. g. moving or cleaning):

- ▶ Empty the appliance.
- ▶ Secure the door against unintentional opening.

8 Transporting the appliance

- ▶ Transport the appliance only in suitable packaging.
- ▶ Transport the appliance upright.
- ▶ Do not transport the appliance on your own.

9 Unpacking the appliance

Before you connect the appliance, report any damage immediately to the delivery company.

- ▶ Check the appliance and the packaging for damage during transport. Contact the supplier immediately if you suspect any level of damage.
- ▶ Remove all materials from the back or the side walls of the appliance that may prevent proper installation or ventilation.
- ▶ Remove all protective films from the appliance. Do not use sharp or pointed objects for this.

- ▶ Take the power cable from the rear of the appliance. Remove the cable brackets when you do this, otherwise there will be noise caused by vibrations!

10 Setting up the appliance



CAUTION

Risk of injury due to heavy appliance!

- ▶ Have two people transport the appliance to its installation site.



WARNING

Danger of injury and damage due to the appliance being unstable!

The appliance can topple over.

- ▶ Secure the appliance as described in the instructions.



WARNING

Fire hazard and danger of damage!

- ▶ Do not place appliances emitting heat e.g. microwaves, toasters etc. on the appliance!

If possible, have the appliance installed in the kitchen unit by a professional.

Do not install the appliance on your own.

10.1 After installation

- ▶ Remove all transport safety components.

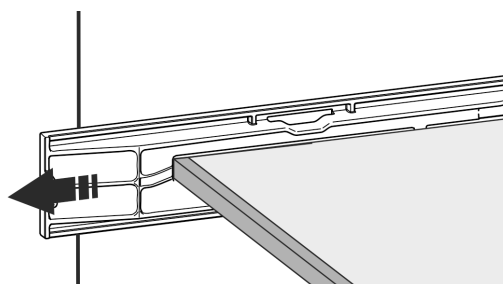
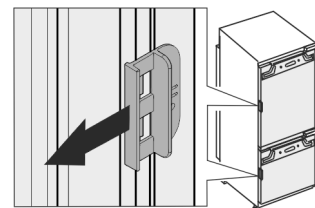


Fig. 4 *

- ▶ Pull off the transport lock on the appliance door.*



- ▶ Clean the appliance (see User Guide, Cleaning the appliance).

11 Disposing of packaging



WARNING

Danger of suffocation due to packing material and plastic film!

- ▶ Do not allow children to play with packing material.












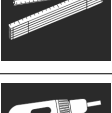

The packaging is made of recyclable materials:












- corrugated board/cardboard
- expanded polystyrene parts
- polythene bags and sheets

What the symbols mean

- polypropylene straps
- nailed wooden frame with polyethylene panel*
- ▶ Take the packaging material to an official collecting point.

12 What the symbols mean

	Risk of injury here! Follow the safety notes!
	These instructions apply to a range of models. Follow this step only if it applies to your appliance.
	To install, please follow the detailed description in the Guide.
	This section applies either to a single-door appliance or a double-door appliance.
	Choose one of the options: Appliance with right-hinged door or appliance with left-hinged door.
	Installation step required if your model has IceMaker and/or Infinity-Spring.
	Just loosen the screws or tighten them slightly.
	Tighten the screws.
	Check to see if the next step applies for your model.
	Check the correct assembly/seat of the components used.
	Measure the specified measurement and adjust if necessary.
	Tool for assembly: Metre rule
	Tool for assembly: Cordless screwdriver and attachments

	Tool for assembly: Spirit level
	Tool for assembly: Size 7 and size 10 spanners
	Two people are required for this step.
	Carry out this step at the marked place on the appliance.
	Aids for assembly: String
	Aids for assembly: Square
	Aids for assembly: Screwdriver
	Aids for assembly: Scissors
	Aids for assembly: Non-permanent marker pen
	Accessory kit: Remove components
	Dispose of components that are no longer needed.

13 **** freezer compartment door*

It is very easy to reposition the hinge of the **** freezer compartment door if the main door hinge is swapped. If the main door of the appliance can be opened to more than 115° (1), you can open the freezer compartment without repositioning the hinge. If the opening angle (2) of the appliance door is less than this, the hinge must be repositioned.

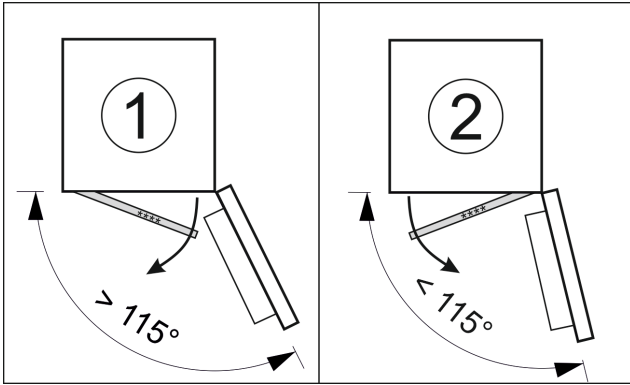


Fig. 5

13.1 Moving the door hinge

The slider for moving the door hinge is located on the back of the **** freezer compartment door at the bottom.

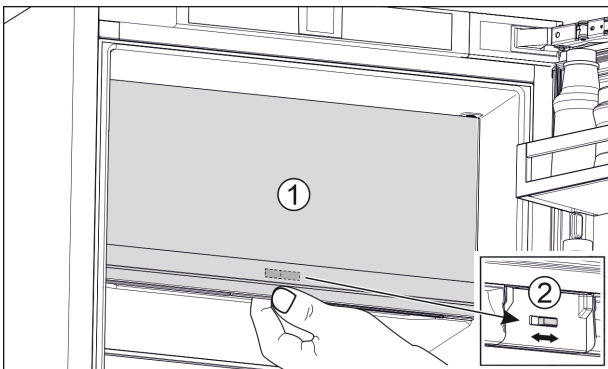


Fig. 6

- ▶ Close the **** freezer compartment door (1).
- ▶ Grab the **** freezer compartment door from below.
- ▶ Move the slider (2) either to the right or to the left.

14 Reversing the door

Tool

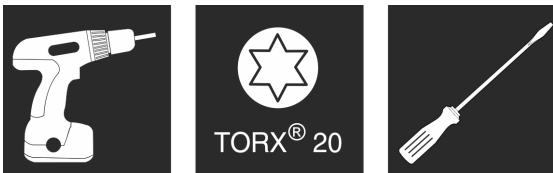


Fig. 7

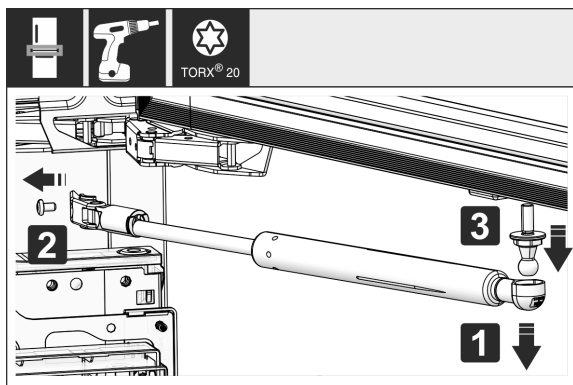


Fig. 8

- ▶ Removing the soft stop damper: Remove the soft stop damper from the ball stud (1). Unscrew the retainer (2). Remove the ball stud with a screwdriver (3).

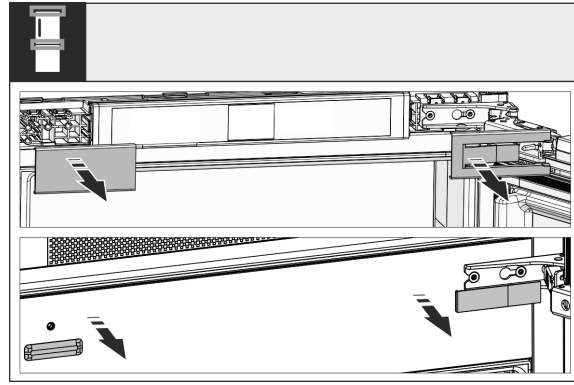


Fig. 9

- ▶ Remove covers.

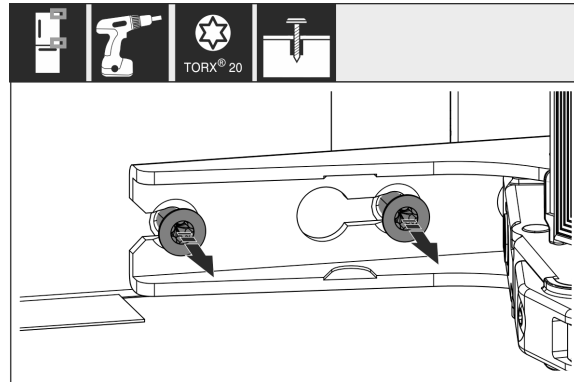


Fig. 10

- ▶ Loosen the screws on **all** hinges but do not remove them.

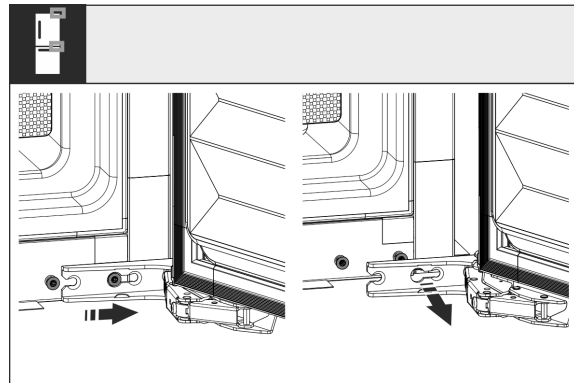


Fig. 11

- ▶ Removing the door: Push the door forward and then out, unhook it and put it to one side.

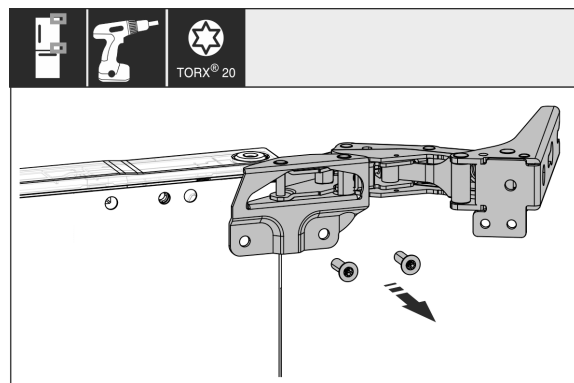


Fig. 12

- ▶ Unscrew all hinges and set aside with the screws.

Installing the appliance in the recess

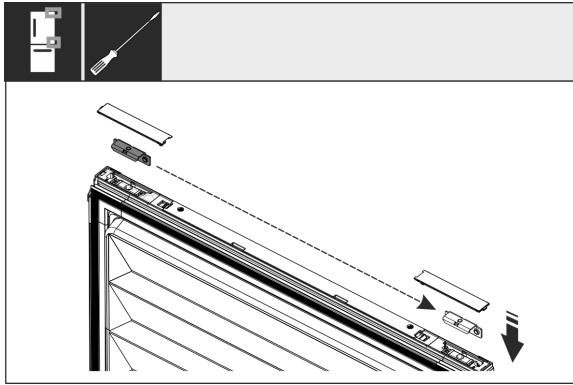


Fig. 13

- ▶ Loosen and shift the bracket at the top and bottom of the door. The bracket must be shifted so you can screw on the hinges.

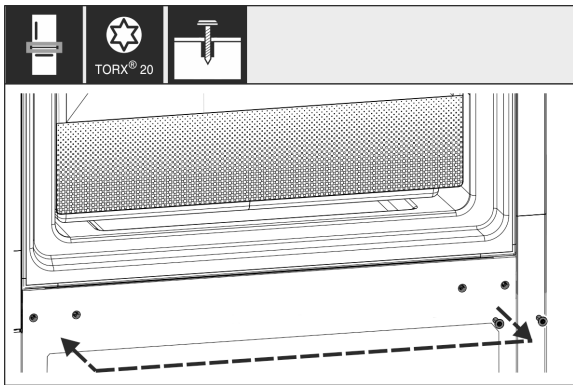


Fig. 14

- ▶ Schrauben für die Scharnierbefestigung umsetzen. Nach dem Umsetzen nicht festschrauben, die Scharniere müssen später eingehängt werden.

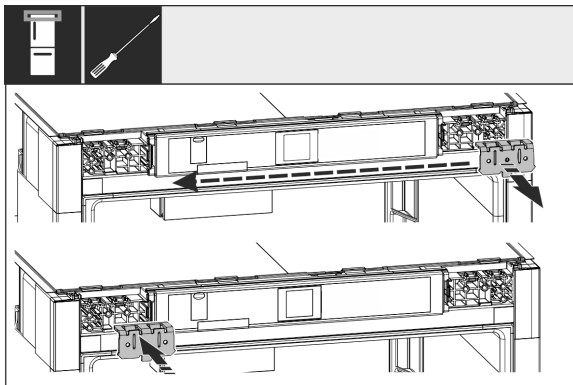


Fig. 15

- ▶ Move the fixing bracket to the opposite side.

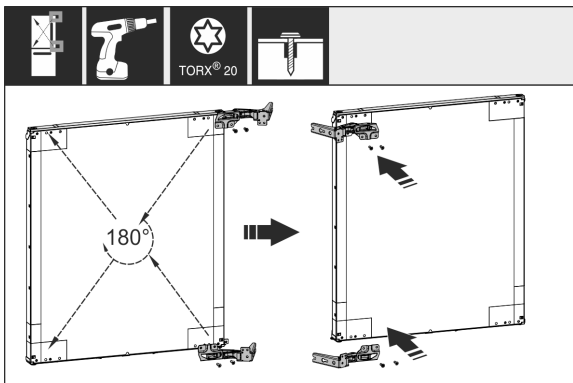


Fig. 16

- ▶ Turn all hinges 180° to the opposite side and screw firmly.

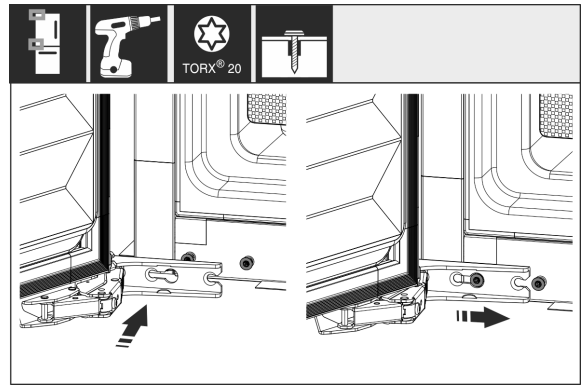


Fig. 17

- ▶ Refitting the door: Hang the door with its hinges and tighten the screws.

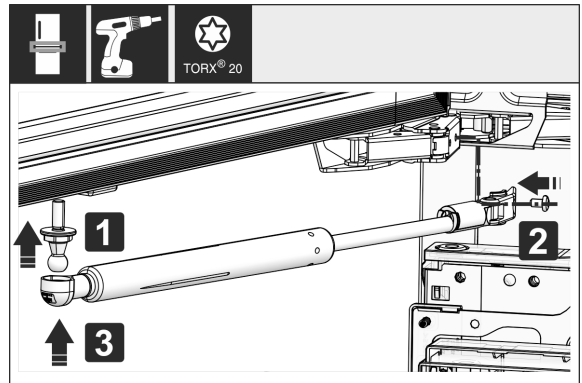


Fig. 18

- ▶ Refitting the closing dampers: Screw in the ball studs (1), tighten the bracket (2) and hang the closing dampers in the ball studs.
- ▶ Check all screws and retighten if necessary.

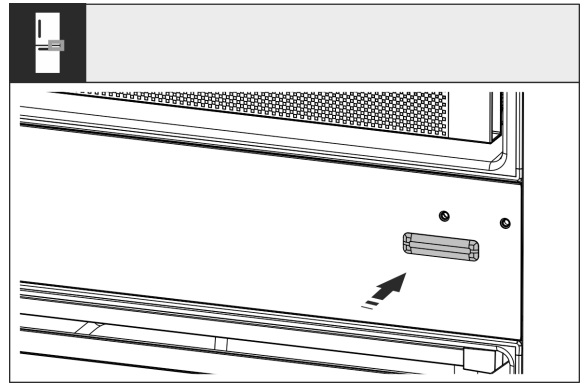


Fig. 19

- ▶ Fit the bottom left cover again. Only fit the other covers again after installing the appliance into the cabinet again.

15 Installing the appliance in the recess

Tool

Installing the appliance in the recess

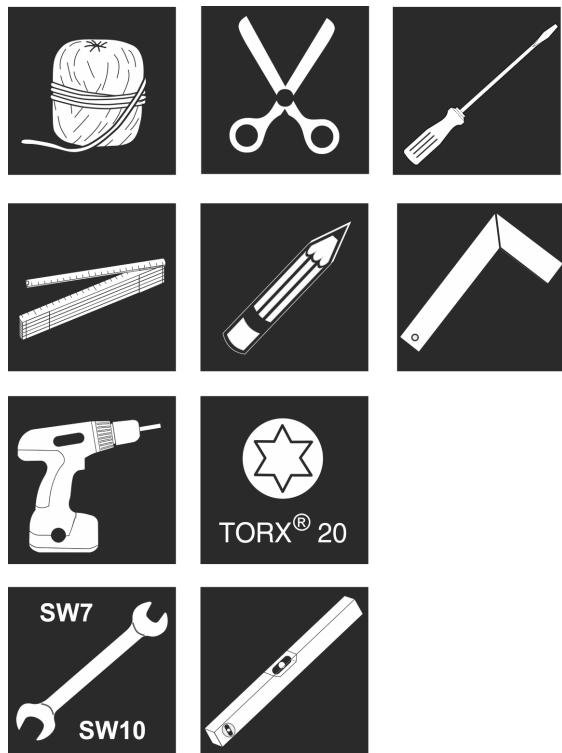


Fig. 20
Supplied assembly parts

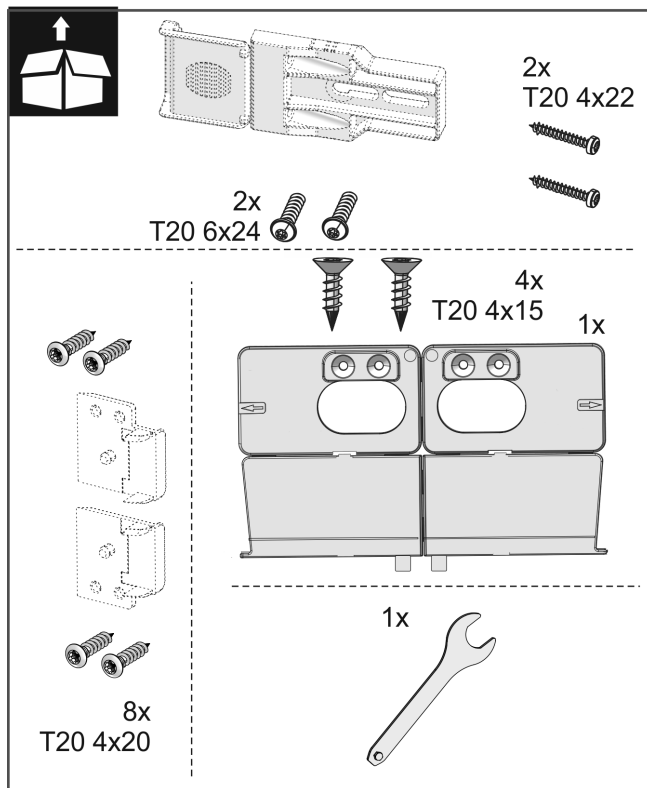
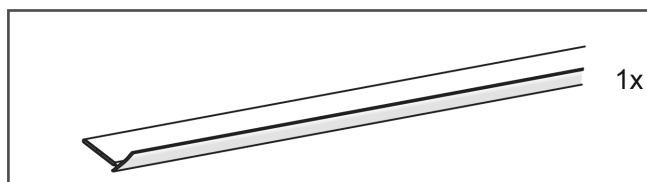
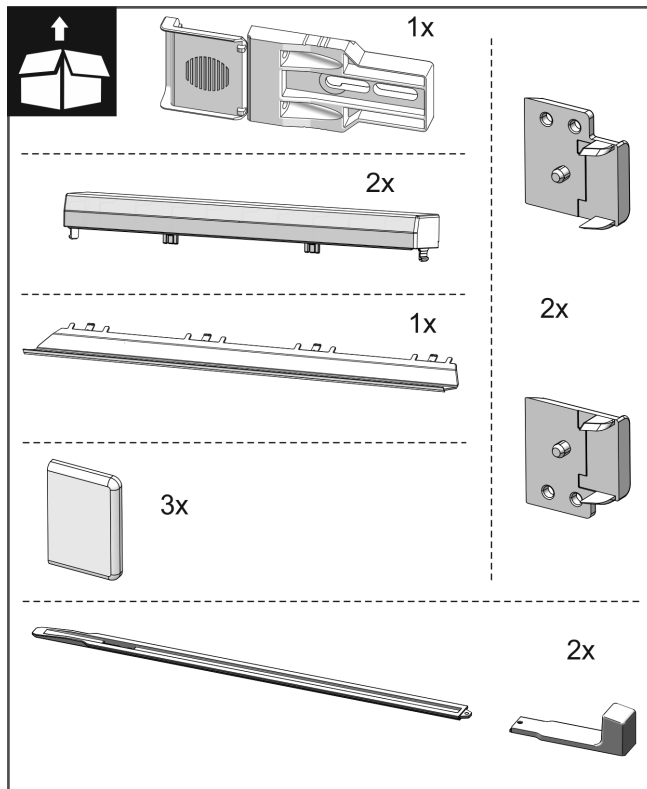


Fig. 21

Installing the appliance in the recess

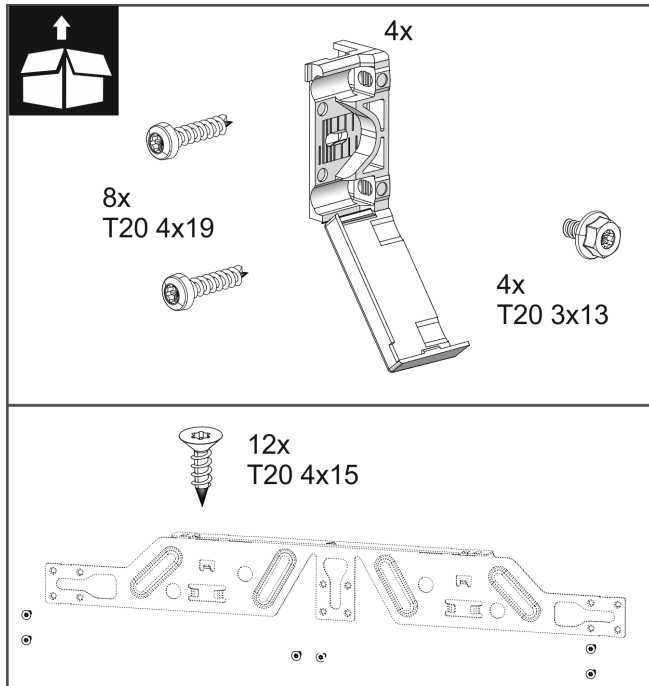


Fig. 22

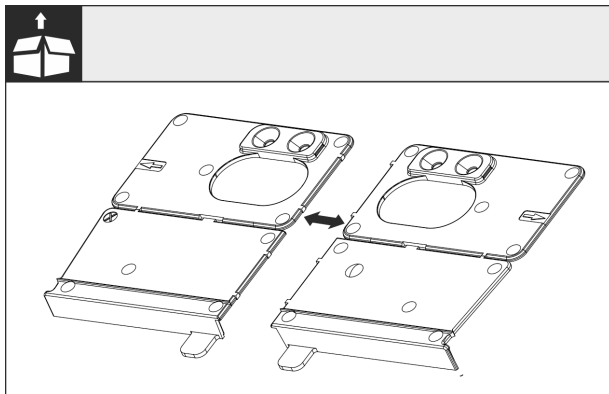


Fig. 23

- ▶ Separate the mounting bracket at the perforation.

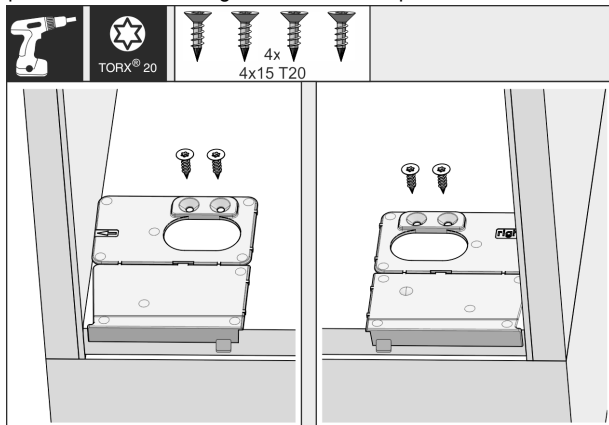


Fig. 24

NOTICE

Correct installation depth of the appliance.

- ▶ Using the mounting bracket ensures the correct installation depth of the appliance.

- ▶ Screw the mounting brackets on the left and right of the recess floor, flush to the side wall.

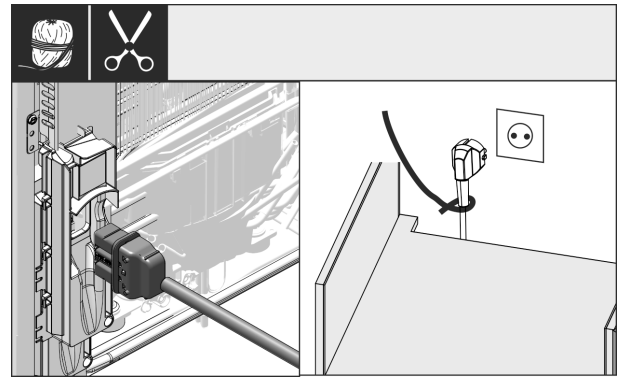


Fig. 25

- ▶ Remove the power cable from the package and plug it into the back of the appliance. Use a cable lug to lay the power plug cord to the accessible socket.

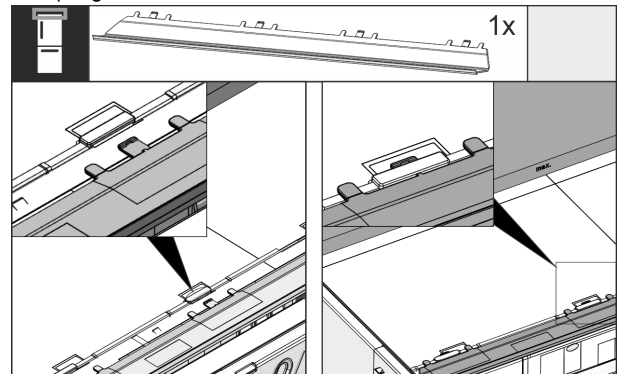


Fig. 26

- ▶ Insert the adapter panel on the top of the appliance. The panel can be moved to both sides.

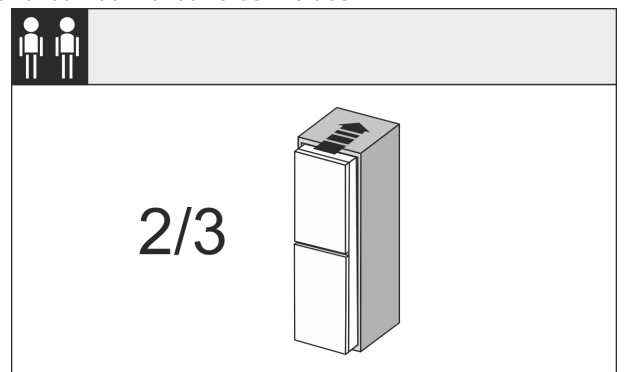


Fig. 27

- ▶ Insert the appliance 2/3 of the way into the recess.

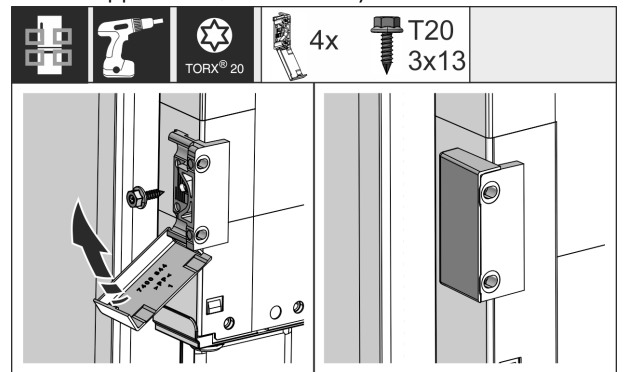


Fig. 28

- ▶ Assemble the mounting bracket. Attach the mounting brackets to align with the cabinet door handles. After assembly, fold the covers onto the bracket.

Installing the appliance in the recess

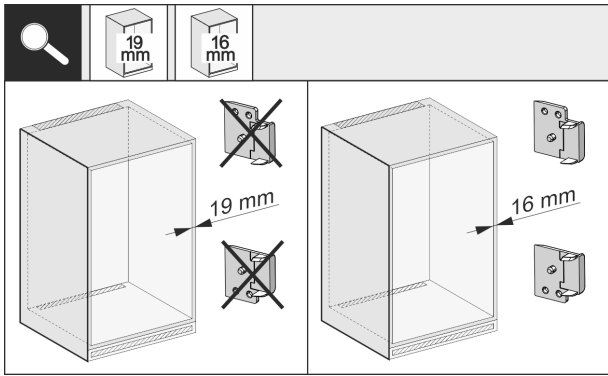


Fig. 29

- Check whether the cabinet side wall is 16mm or 19mm thick.

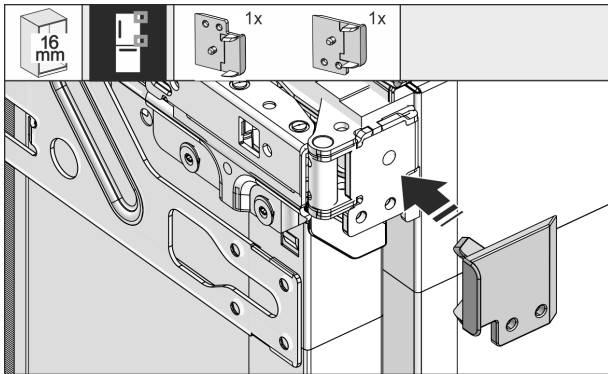


Fig. 30

- For 16-mm thick cabinet walls: Spacer on all hinges. For 19-mm thick cabinet walls, no spacer is required.

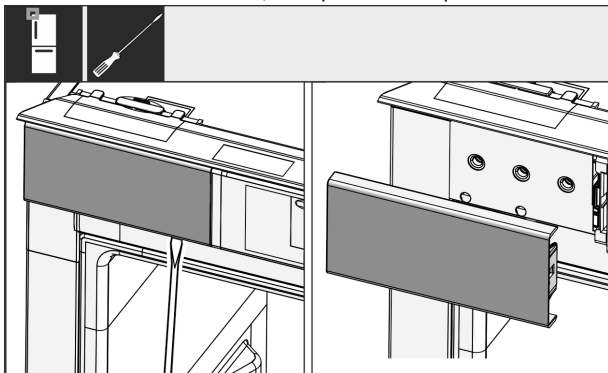


Fig. 31

- Use a screwdriver to loosen the cover at the top left and then remove it.

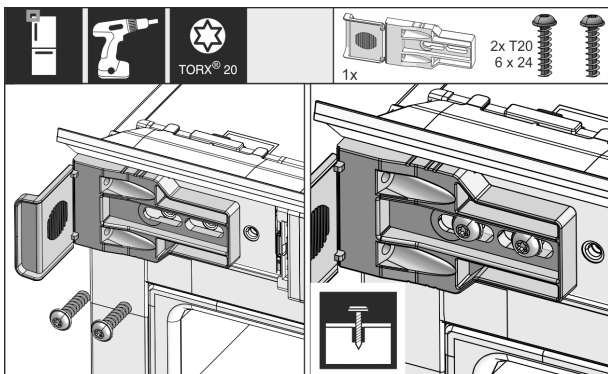


Fig. 32

- Loosely tighten the mounting bracket screw. The bracket should still be easy to move.

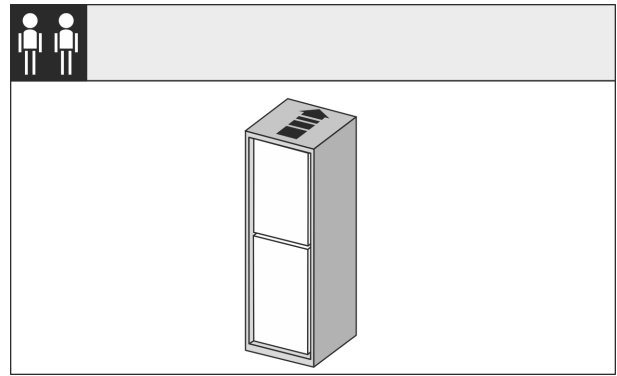


Fig. 33

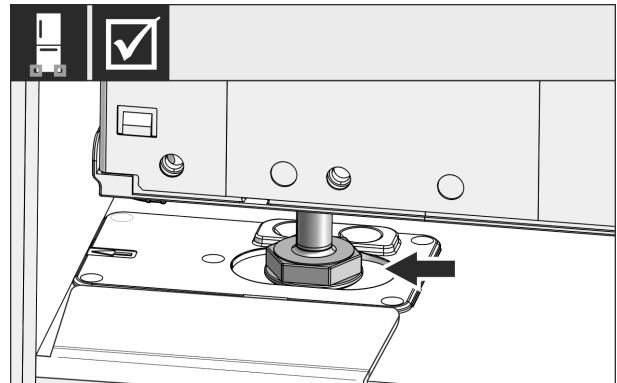


Fig. 34

- Insert the appliance all the way into the recess. The adjusting feet must sit on both sides in the recesses of the mounting bracket base.

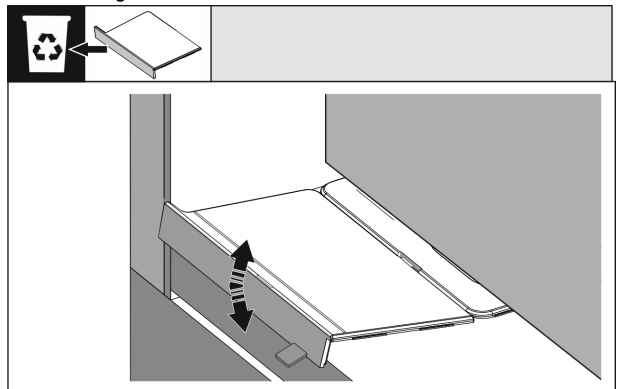


Fig. 35

- Remove the front stopper of the mounting bracket base. Loosen the stopper by moving it and, if necessary, pull it off with the help of pliers.

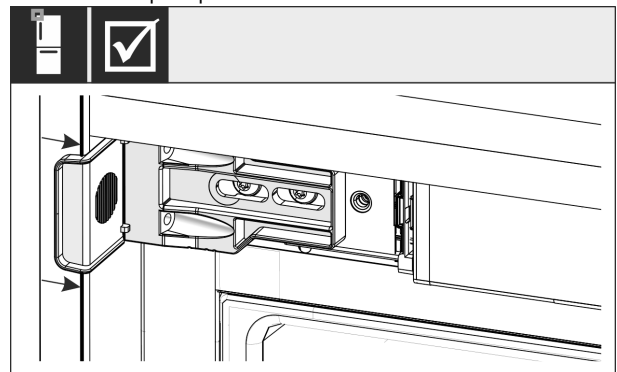


Fig. 36

- Check that the appliance is flush against the cabinet recess. The mounting bracket must be attached to the side wall of the cabinet recess.

Installing the appliance in the recess

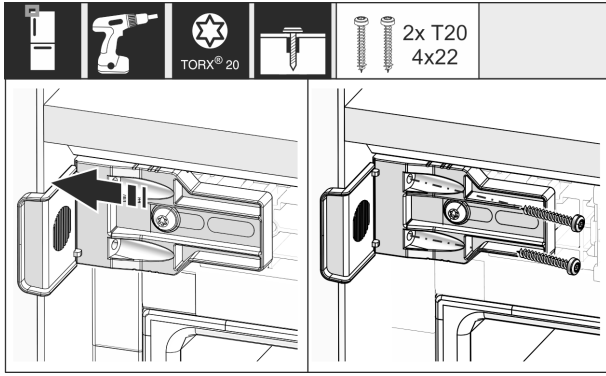


Fig. 37

- Move the bracket so it sits flush on the side wall of the cabinet recess. Now tighten all the screws firmly.

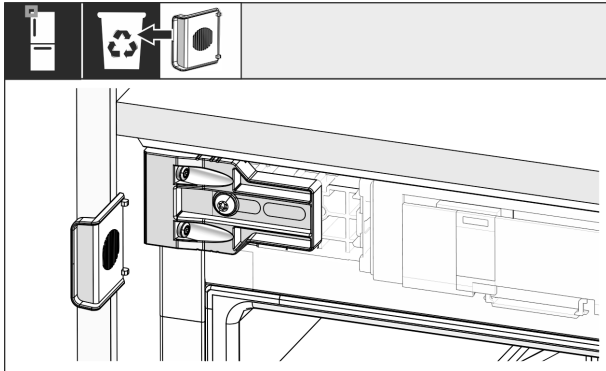


Fig. 38

- Remove the stop from the bracket on the handle side and dispose of it.

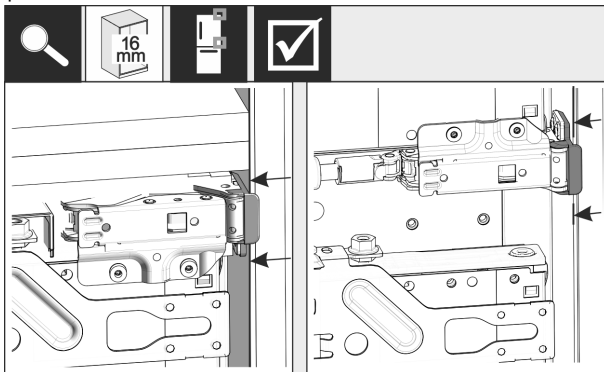


Fig. 39

- With 16 mm-thick cabinet side walls, the hinge-side spacers must strike at the side wall of the recess.

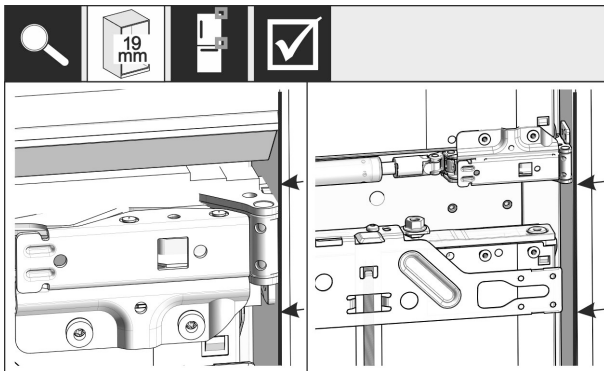


Fig. 40

- With 19 mm thick cabinet side panels, align the front edges of the hinges so that they are flush with the front of the cabinet side panel.

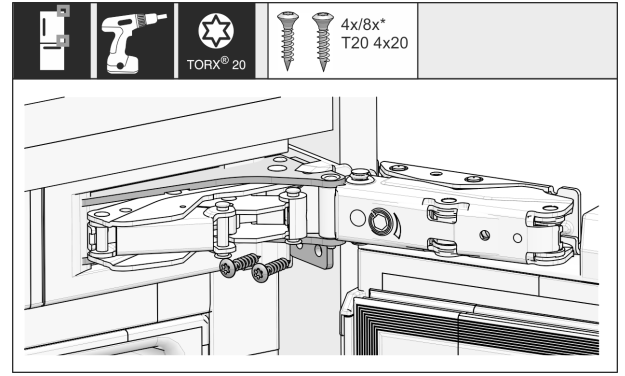


Fig. 41

- Secure the appliance on the hinge side

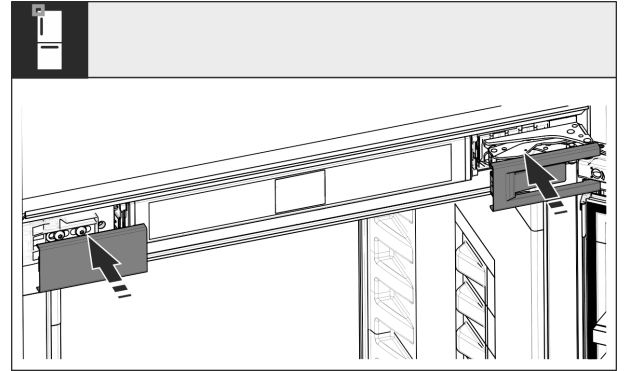


Fig. 42

- Put covers into position.

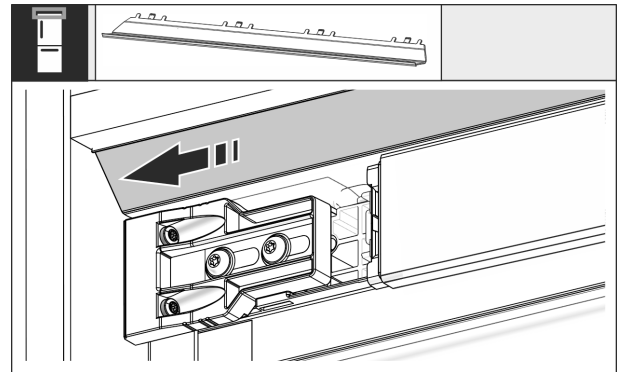


Fig. 43

- Slide the panel so that it sits flush on the side of the cabinet wall.

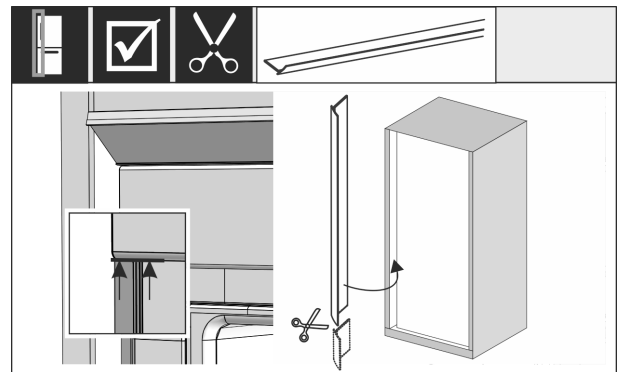


Fig. 44

- The tread is magnetic. Place the tread below the top cover and press. If necessary, shorten the tread to the required length with a sharp pair of scissors.

Installing the appliance in the recess

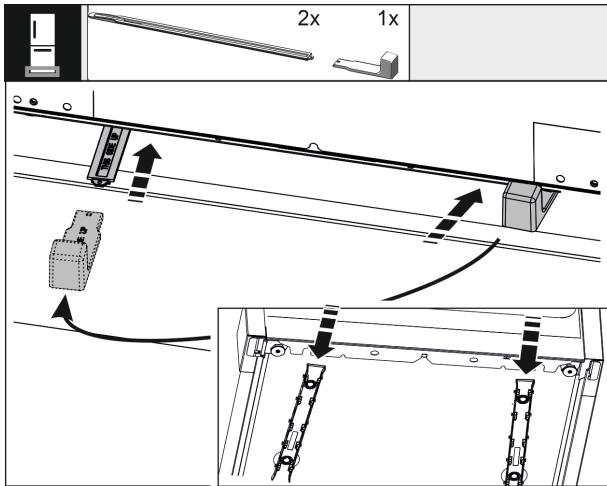


Fig. 45

Height adjustment should be used to optimise noise levels.

- ▶ To stabilise the back of the appliance at the bottom: Insert the handle to the rail of the height adjustment and slide the rail into the appliance base. Remove the handle and do the same with the second rail.

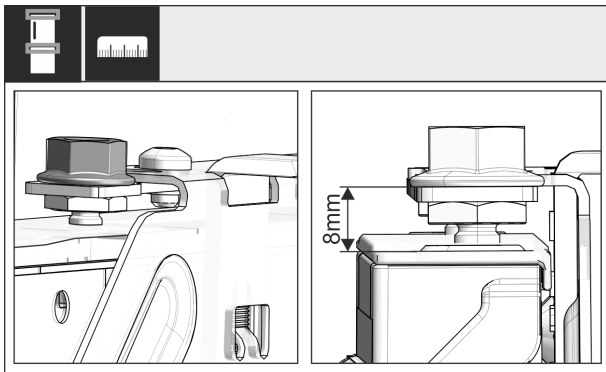


Fig. 46

- ▶ Close the door and check the preset 8 mm from the upper edge of the appliance door to the crosspiece support

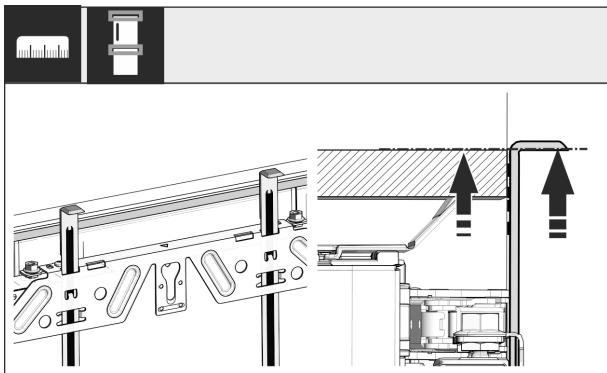


Fig. 47

- ▶ Push up mounting aids to the cabinet door height of the adjacent cabinet fronts. Lower stop edge of the assembly aid = upper edge of the door to be assembled.

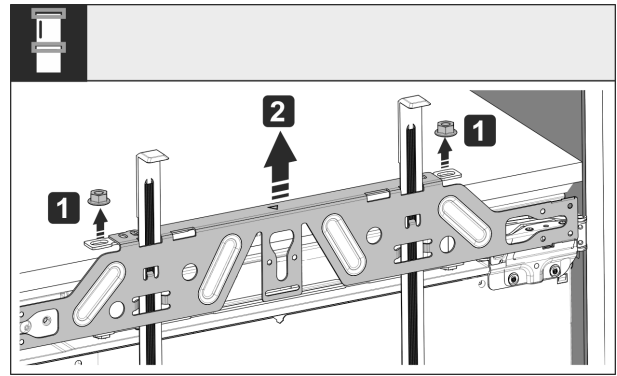


Fig. 48

- ▶ Loosen the counter nut and remove the crosspiece.

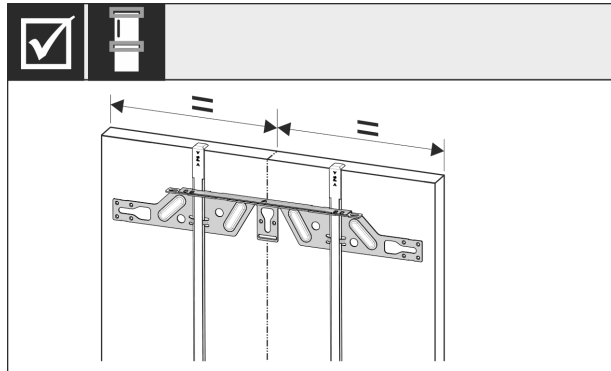


Fig. 49

- ▶ Hang the crosspiece on the inside of the unit door and make sure it is central.

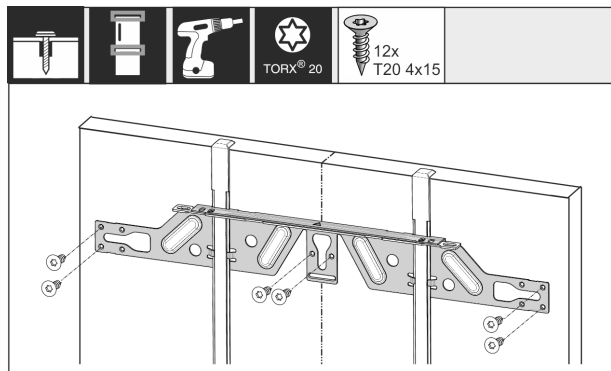


Fig. 50

- ▶ With chipboard doors fit the crosspiece with at least 6 screws and at least 4 screws for the frame and panel doors. In the case of frame and panel doors, mount the screws as far out as possible.

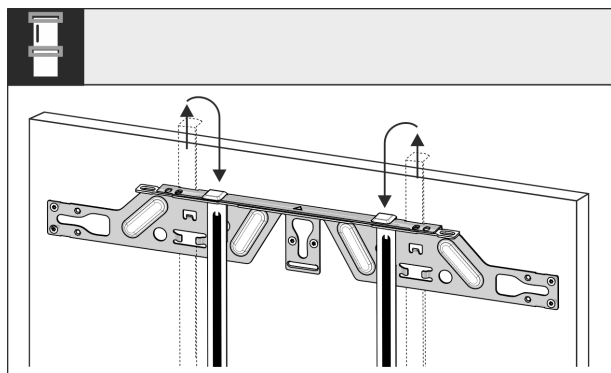


Fig. 51

- ▶ Remove the fitting aids, turn round and insert into the adjacent opening.

Installing the appliance in the recess

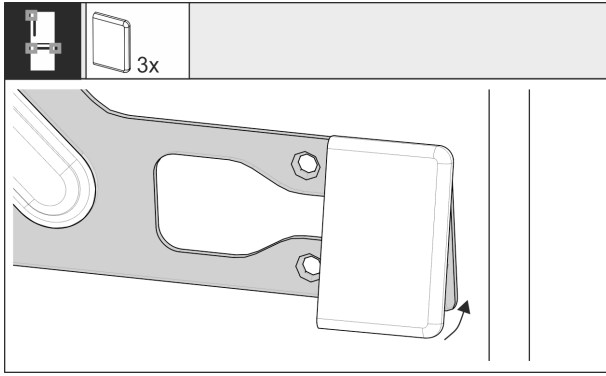


Fig. 52

- ▶ With the top door, clip the cover onto the mounting crosspiece. With the pull-out trolley, clip the covers on both sides of the crosspiece

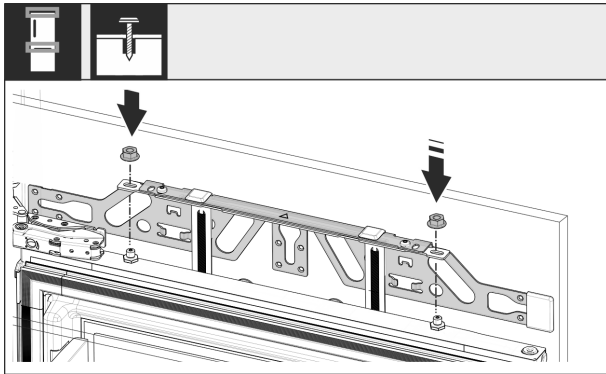


Fig. 53

- ▶ Attach the cabinet door and loosely screw the lock nuts onto the adjusting bolts.

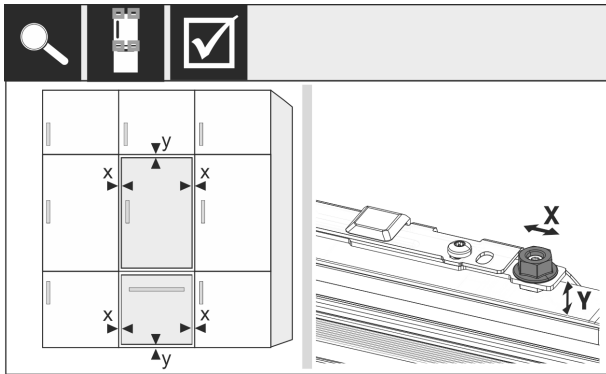


Fig. 54

- ▶ Align the unit door in the X and Y direction using the adjusting bolts.

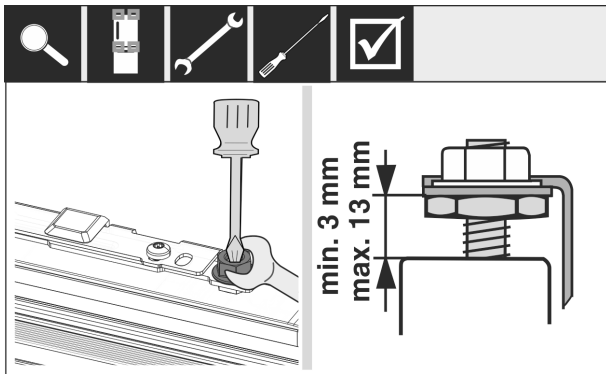


Fig. 55

- ▶ Tighten the counter nuts and check the setting height.

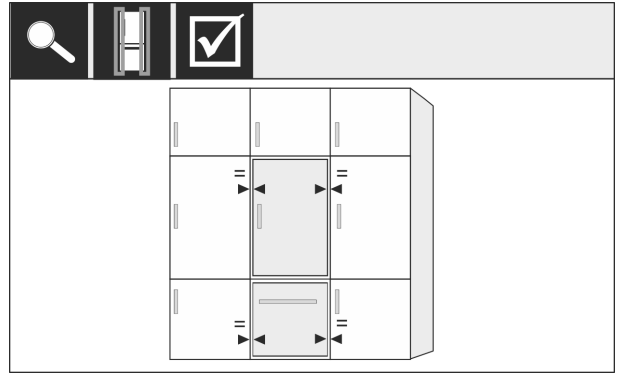


Fig. 56

- ▶ Check the gap between the door and the surrounding unit doors.

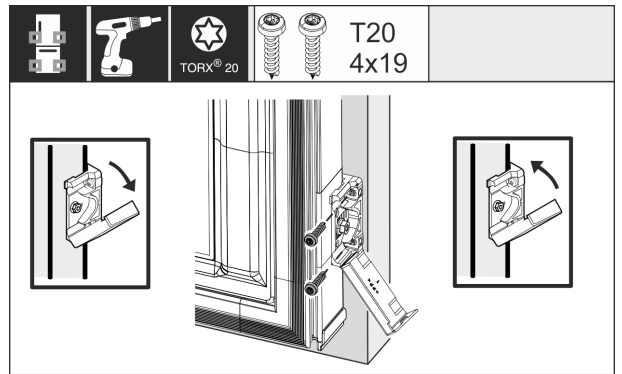


Fig. 57

- ▶ Open the cover again to assemble the mounting bracket on the unit door. Align the front edge of the mounting bracket parallel to the unit door edge and screw the bracket down tightly. Fold up the cover again.

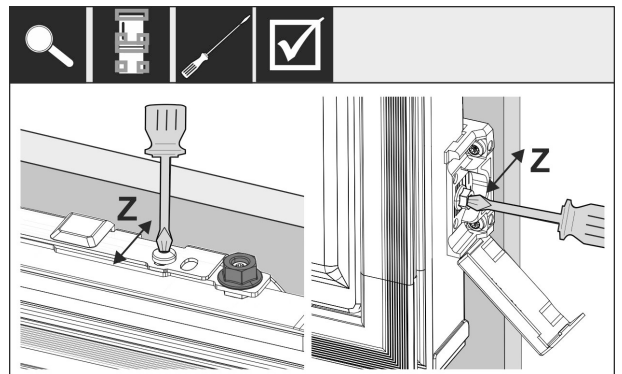


Fig. 58

- ▶ Align the unit door in the Z direction: undo the adjusting screw on the crosspiece and the screw on the mounting bracket then move the door.

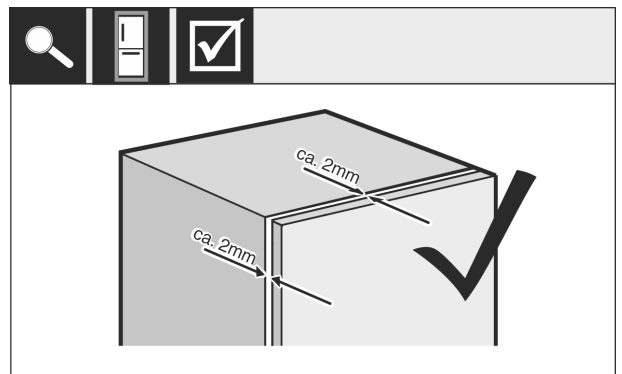


Fig. 59

- ▶ Check the distance between the unit door and the unit body. Check all screws and retighten if necessary.

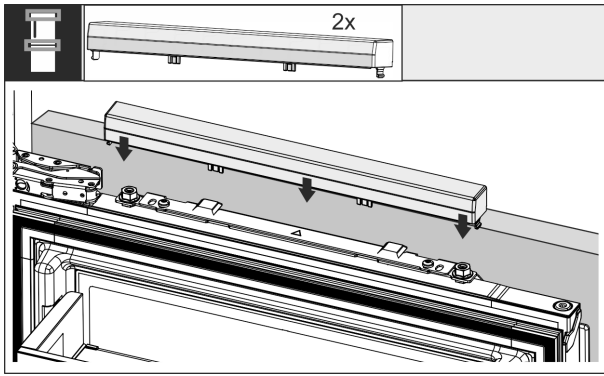


Fig. 60

- ▶ Clip the top cover on.

Check the following points to make sure the appliance is installed correctly. Otherwise, icing up, the formation of condensate and malfunctions may occur:

- ▷ The door must close properly.
- ▷ The unit door must not touch the body of the unit.

16 Cabinet fronts

16.1 Dimensions

Depending on your model, you will need one or two cabinet doors. The size of the cabinet door(s) depends on the overall recess size and cabinet unit thickness.

Note

Observe the appliance and recess dimensions and follow the installation diagrams. See the relevant catalogue for the installation diagrams.

General requirements:

- Please refer to our catalogues for appliance-specific recommendations on size and weight for fixed door installations.
- The body of the unit should be at least 16 mm thick but not more than 19 mm.
- When mounting a 2-door cabinet door, observe the recommended clearances.

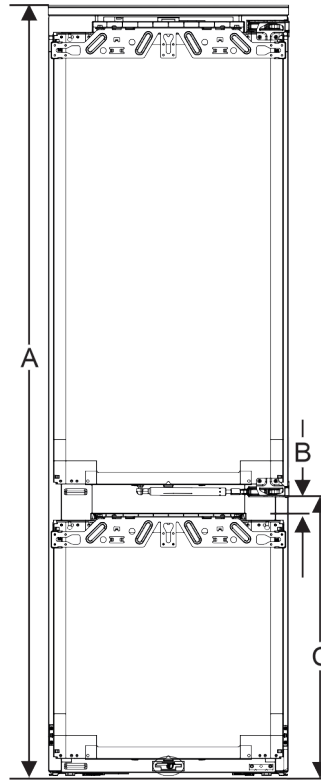


Fig. 61 Clearance, larder compartment

Recess height	Appliance height (mm)	Distance (B) (mm)	Clearance (C) larder compartment (mm)
178	1770	34	612+34

Recess height 178	
Appliance height (A) (mm)	1770
Distance (B) (mm)	34
Clearance (C) cellar compartment (mm)	612+34

Other cabinet door above, below or next to it:

- The vertical gap between custom panels must be 4 mm.
- The horizontal gap between custom panels must be 4 mm. Check the risk of them clashing here. (see 16.3 Setting the clearance to avoid collision)

Weight and hinges:

- Heavy cabinet fronts increase the stress on the hinge. The hinge may be damaged. As such, refer to the catalogue for the maximum weight specification for your appliance.
- If the cabinet front exceeds the maximum permitted weight, an appliance with door-tracking device can help by loading the weight over several concealed hinges on the cabinet.
- If you use long unit fronts that protrude far above the appliances, we recommend an additional door hinge (e.g. Kamat), which must have the same pivot point as the fixed door hinge used with your appliance. By using another hinge (Kamat), the weight is shared over several points. The use of a milled compensating fastening is recommended for high unit fronts to counteract warping (convex/concave).

16.2 Mounting the cabinet front(s)

When installing, note:

- Cabinet front must be installed symmetrically to the refrigerator door.

Water tank

- Adjoining cabinet front is exactly level.
- Adjoining cabinet front has the same edge radius as the front of the appliance.
- Cabinet front is flat and tension-free.
- The front panel has a minimum depth setting of approx. 2 mm to the body.
- ▶ Install the appliance in the recess.
- ▶ Fasten the front panel to the appliance door.
- ▶ Check that the front panel can close unobstructed. (see 16.3 Setting the clearance to avoid collision)

16.3 Setting the clearance to avoid collision

After installing the cabinet front(s), check that the cabinet fronts do not collide.

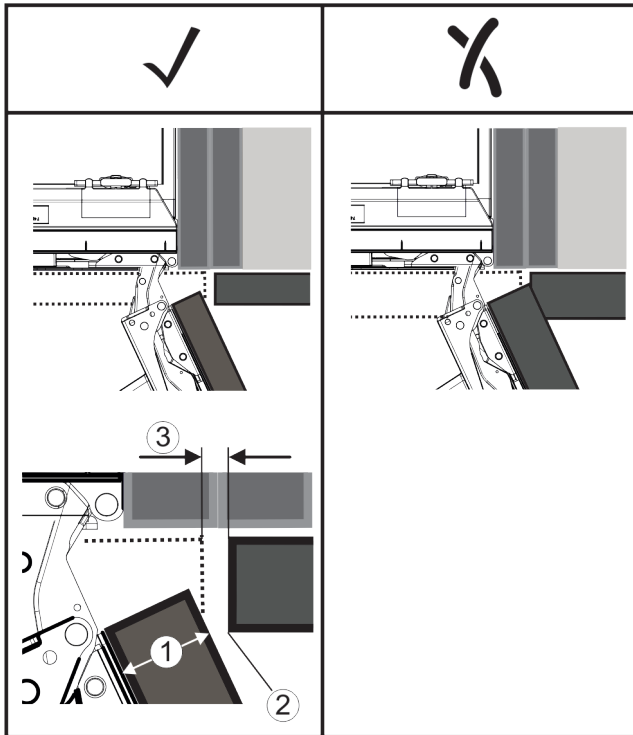


Fig. 62

- (1) Front thickness (FD) (3) Clearance (S)
 (2) Edge radius (R)

FD(1) (mm)	R (2) = 0 mm		R = 1,2 mm		R = 2 mm		R = 3 mm	
	G _{min}	G _{max}	G _{min}	G _{max}	G _{min}	G _{max}	G _{min}	G _{max}
16	0,3	0,9	0,1	0,4	0,1	0,2	0,1	0,2
19	0,7	2,4	0,3	1,9	0,23	3,25	0,1	0,8
20	2	4,3	1,5	3,6	1	3,1	0,6	2,7
22	3,5	6,3	3	5,6	2,6	5,3	2,1	4,6
24	5,5	8,3	5	7,8	4,5	7,4	4	6,9
26	7,6	10,7	7	10,3	6,6	9,9	6,2	9,4

Fig. 63 Table of clearance limits

G_{min} = min. clearance in mm

G_{max} = max. clearance in mm

Note

When making adjustments, always make sure that the cabinet front suits the general appearance.

Check the collision factors and adjust them accordingly:

- ▶ Determine the front thickness and edge radius.
- ▶ Refer to the table for the min./max. clearance dimensions.
- ▶ Check the clearance size against the table.
- ▶ Do one of the following depending on the measured clearance size.

Clearance	Description
$S > G_{max}$	If the clearance size is greater than the two limits, you do not need to make any adjustments.
$S < G_{min}$	If the clearance size is below the limits, you must increase it. Another option is to increase the edge radius.
$G_{min} \leq S \leq G_{max}$	If the clearance is between the two limits, you have to be careful. This will quickly lead to collisions.

17 Water tank

Depending on your model, the InfinitySpring water tank is behind the lowest drawer in the fridge or BioFresh compartment

17.1 Inserting the water tank

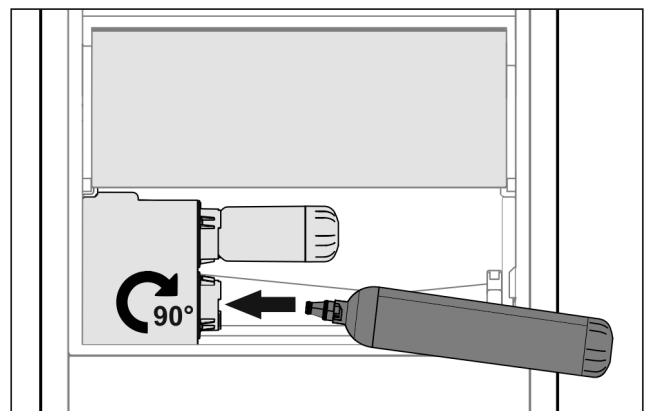


Fig. 64

- ▶ Remove the drawer compartment.
- ▶ Insert the water tank and rotate approx. 90° clockwise until it clicks in.
- ▶ Check that the tank is sealed and no water leaks out.
- ▶ Insert the drawer compartment.
- ▶ Vent the water system (see the Installation Instructions, Water Connection)

Instead of the water filter you can insert an additional water tank.

Note

You can purchase this water tank as an optional extra.

18 Water filter

Depending on your model, the water filter is behind the lowest drawer in the fridge or BioFresh compartment.

It filters out deposits in the water and reduces the taste of chlorine.

- Replace the water filter at least every 6 months, or if there is a significant reduction in the flow rate.
- The water filter contains carbon and can be disposed of with the regular household waste.

Note

Water filters are available from the Liebherr-Hausgeräte store at home.liebherr.com/shop/de/deu/zubehor.html.

18.1 Inserting the water filter

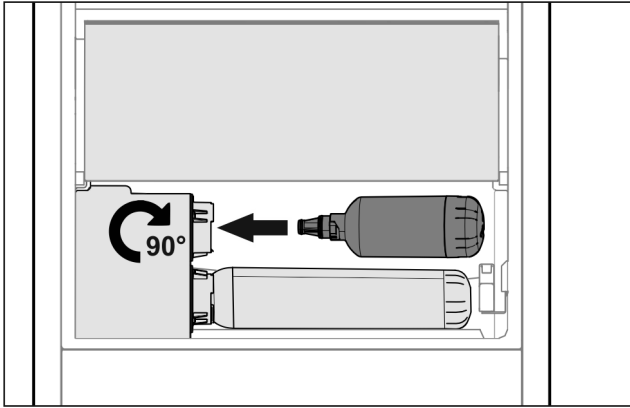


Fig. 65

- ▶ Remove the drawer compartment.
- ▶ Insert the water filter and rotate approx. 90° clockwise until it clicks in.
- ▶ Check that the filter is sealed and no water leaks out.
- ▶ Insert the drawer compartment.



CAUTION

New water filters can contain suspended matter.

- ▶ Draw 3 l of water from the InfinitySpring and dispose of it.

- ▷ The water filter is now ready for use.

19 Connecting device



WARNING

Danger of fire due to incorrect connection!

Burns.

Damage to the appliance.

- ▶ Do not use an extension cable.
- ▶ Do not use distributor blocks.

NOTICE

Danger of damage to incorrect connection!

Damage to the appliance.

- ▶ Do not connect the appliance to a stand-alone inverter, e.g. solar power systems and petrol generators.

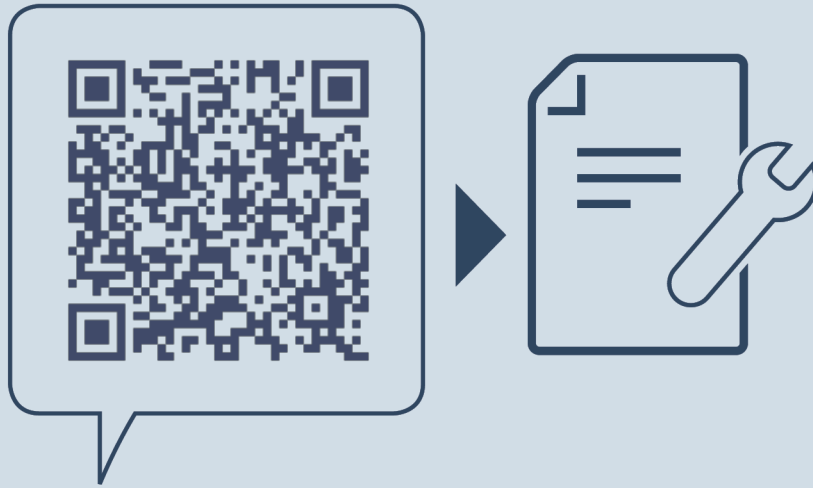
Note

Only use the supplied mains cable.

- ▶ A longer mains cable can be ordered from Customer Service.

Ensure that the following conditions are met:

- The type of current and voltage at the installation site match the information on the serial tag .
- The socket is earthed according to the regulations and fused.
- The fuse tripping current is between 10 and 16 A.
- The socket is easily accessible.
- ▶ Check the electrical connection.
- ▶ Connect the mains plug to the power supply.
- ▷ The Liebherr logo appears on the screen.
- ▷ The display switches to the standby symbol.



home.liebherr.com/fridge-manuals

EN integrated fridge with pull-out drawer

Issue date: 20240126

Part number index: 7088412-00

Liebherr-Hausgeräte Ochsenhausen GmbH
Memminger Straße 77-79
88416 Ochsenhausen
Deutschland