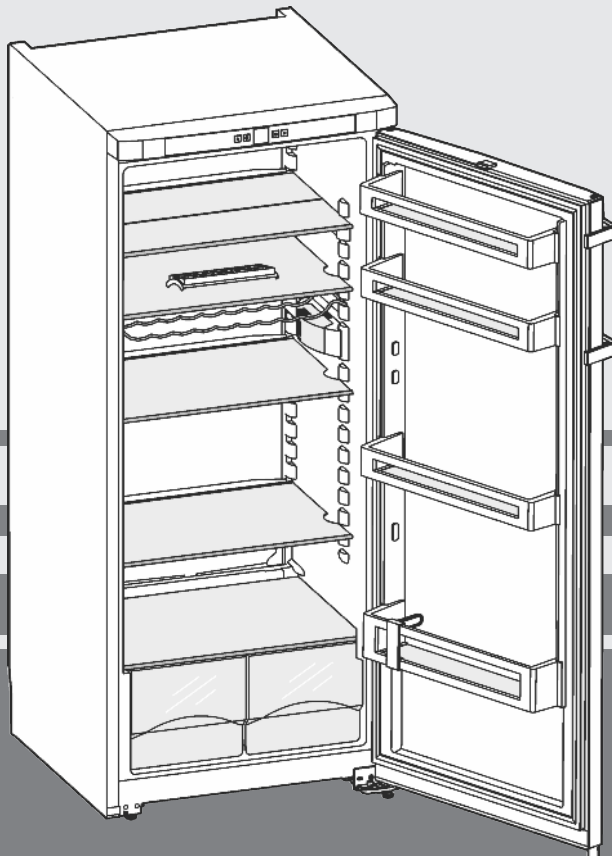


# User Guide

fridge

EN



20210317 **7082831 - 03**

**K(sI)2630/3130**

# LIEBHERR

# Appliance at a glance

## Contents

<b>1</b>	<b>Appliance at a glance</b> .....	<b>2</b>
1.1	Description of appliance and equipment.....	2
1.2	Appliance range of use.....	2
1.3	Conformity.....	3
1.4	EPREL database.....	3
1.5	External dimensions of the appliance.....	3
1.6	Saving energy.....	3
<b>2</b>	<b>General safety information</b> .....	<b>3</b>
<b>3</b>	<b>Controls and displays</b> .....	<b>4</b>
3.1	Operating controls.....	4
3.2	Temperature display.....	4
<b>4</b>	<b>Putting into operation</b> .....	<b>5</b>
4.1	Transporting the appliance.....	5
4.2	Installing the appliance.....	5
4.3	Changing over the door hinges.....	6
4.4	Insertion into a row of kitchen units.....	7
4.5	Disposing of packaging.....	8
4.6	Connecting the appliance.....	8
4.7	Switching on the appliance.....	8
<b>5</b>	<b>Control</b> .....	<b>8</b>
5.1	Brightness of the temperature display.....	8
5.2	Refrigerating food.....	8
5.3	Setting the temperature.....	8
5.4	SuperCool.....	9
5.5	Fan.....	9
5.6	Shelves.....	9
5.7	Using the sectioned shelf.....	9
5.8	Door racks.....	10
<b>6</b>	<b>Maintenance</b> .....	<b>10</b>
6.1	Defrosting.....	10
6.2	Cleaning the appliance.....	10
6.3	Replacing the interior illumination with LED lamp.....	10
6.4	Customer service.....	11
<b>7</b>	<b>Malfunctions</b> .....	<b>11</b>
<b>8</b>	<b>Decommissioning</b> .....	<b>12</b>
8.1	Switching off the appliance.....	12
8.2	Taking the appliance out of service.....	12
<b>9</b>	<b>Disposing of the appliance</b> .....	<b>12</b>

The manufacturer works constantly on the further development of all the types and models. Therefore please understand that we have to reserve the right to make design, equipment and technical modifications.

To get to know all the benefits of your new appliance, please read the information contained in these instructions carefully.

The instructions apply to several models. Differences may occur. Text relating only to specific appliances is marked with an asterisk (\*).

**Instructions for action are marked with a ►, the results of action are marked with a ▷.**

## 1 Appliance at a glance

### 1.1 Description of appliance and equipment

#### Note

- Place food inside the appliance as shown in the diagram. This allows the appliance to save energy during operation.
- Shelves, drawers and baskets are arranged for optimum energy efficiency on delivery.

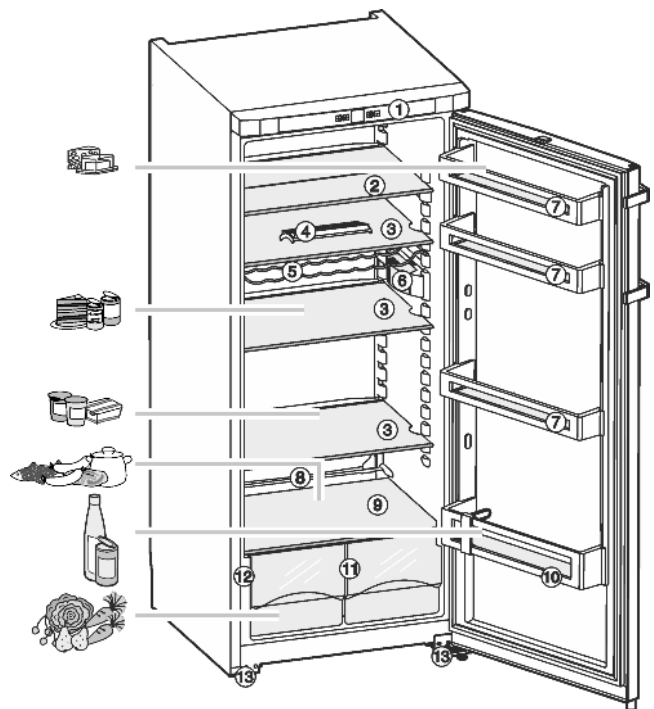


Fig. 1

- |                           |  |
|---------------------------|--|
| (1) Operating controls    | (8) Defrost water drain  |
| (2) Shelf, separable      | (9) Coldest area   |
| (3) Shelf*, adjustable    | (10) Bottle shelf*   |
| (4) Egg tray              | (11) Vegetable bins  |
| (5) Bottle rack           | (12) Type plate  |
| (6) Interior light        | (13) Adjustable feet at the front, castors for transport at the rear |
| (7) Door rack, adjustable |  |

### 1.2 Appliance range of use

#### Intended use

The appliance is only suitable for cooling food products in a domestic or household-like environment. This includes, for example, use:

- in staff kitchens, bed and breakfast establishments,
- by guests in country houses, hotels, motels and other accommodation,
- for catering and similar services in the wholesale trade.

The appliance is not suitable for freezing food;

The appliance is not suitable as a built-in unit.

All other types of use are not permitted.

#### Foreseeable misuse

The following applications are expressly forbidden:

- Storing and refrigerating medicines, blood plasma, laboratory preparations or similar substances and products based on the Medical Device Directive 2007/47/EC
- Use in areas at risk of explosions

Misusing the appliance may lead to damage to the goods stored or they may spoil.

## Climate classifications

Depending on the climate classification the appliance is designed to operate in restricted ambient temperatures. The climate classification applying to your appliance is printed on the rating plate.

### Note

► Keep to the specified ambient temperatures in order to guarantee that the appliance works properly.

Climate classification	for ambient temperatures of
SN	10 °C to 32 °C
N	16 °C to 32 °C
ST	16 °C to 38 °C
T	16 °C to 43 °C

## 1.3 Conformity

The refrigerant circuit has been tested for leaks. This appliance complies with the applicable safety stipulations and with directives 2014/35/EU, 2014/30/EU, 2009/125/EG, 2011/65/EU and 2010/30/EU.

## 1.4 EPREL database

Details about energy labelling and ecodesign requirements will be available on the European product database (EPREL) from 1st March 2021. You can access the product database at the following link: <https://eprel.ec.europa.eu/> You will be asked to enter the model ID. You can find the model ID on the nameplate.

## 1.5 External dimensions of the appliance

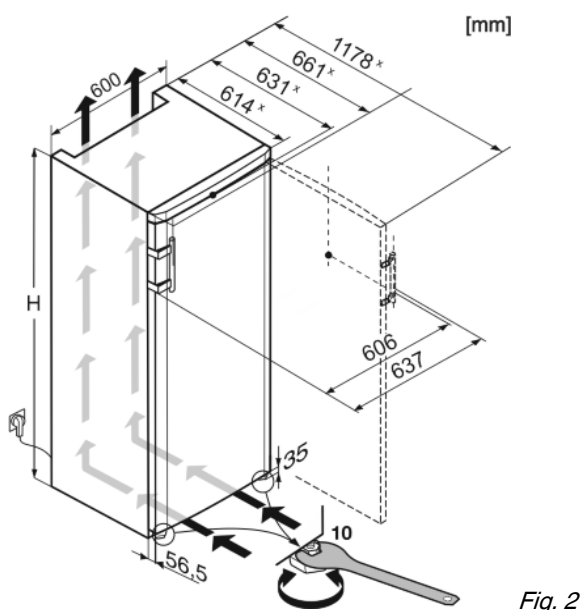


Fig. 2

	H
K(s) 2630	1250

	H
K(s) 3130	1447

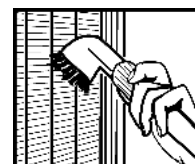
\* For appliances supplied with wall spacers, the measurement increases by 35 mm (see 4.2 Installing the appliance) .

## 1.6 Saving energy

- Pay attention to good ventilation. Do not cover ventilation holes or grids.
- Always keep the fan air slits clear.
- Do not install the appliance in direct sunlight, next to an oven, radiator or similar.
- Energy consumption depends on the installation conditions, e.g. the ambient temperature (see 1.2 Appliance range of use) . A warmer ambient temperature can increase the energy consumption.
- Open the appliance for as short a time as possible.
- The lower the temperature is set the higher the energy consumption.
- Sort your food: [home.liebherr.com/food](http://home.liebherr.com/food).
- Keep all food properly packed and covered. This prevents frost from forming.
- Only take food out for as long as necessary so that it doesn't warm up too much.
- Inserting warm food: allow to cool down to room temperature first.

Dust deposits increase energy consumption:

- For refrigerators with heat exchangers dust the metal grid on the back of the appliance once a year.



## 2 General safety information

### Danger for the user:

- This device can be used by children and people with impaired physical, sensory or mental abilities or with a lack of experience and knowledge provided that they are supervised or have received instruction in the safe use of this device, and about the resulting hazards. Children must not play with this appliance. Cleaning and user maintenance work must not be carried out by children without adult supervision. Children aged between 3 and 8 are allowed to load and unload the appliance. Children below the age of 3 must be kept away from the appliance unless they are under continuous adult supervision.
- When disconnecting the appliance from the supply, always take hold of the plug. Do not pull the cable.
- In the event of a fault pull out the mains plug or deactivate the fuse.
- Do not damage the mains power cable. Do not operate the appliance with a defective mains power cable.
- Repairs, interventions on the appliance and the replacement of mains connection line may

# Controls and displays

only be carried out by After-Sales Service or other suitably trained specialist personnel.

- Only assemble, connect and dispose of the appliance according to the instructions.
- Please keep these instructions in a safe place and pass them on to any subsequent owners.

## Fire hazard:

- The coolant used (information on the model plate) is eco-friendly but also flammable. Any leaking coolant may ignite.
  - Do not damage the refrigerant circuit pipes.
  - Do not handle ignition sources inside the appliance.
  - Do not use electrical appliances inside the appliance (e.g. steam cleaners, heaters, ice cream makers, etc.).
  - If the refrigerant leaks: remove any naked flames or ignition sources from the vicinity of the leakage point. Properly air the room. Inform customer services.
- Do not store explosives or sprays using combustible propellants such as butane, propane, pentane, etc. in the appliance. To identify these spray cans, look for the list of contents printed on the can, or a flame symbol. Gases possibly escaping may ignite due to electrical components.
- Keep burning candles, lamps and other items with naked flames away from the appliance so that they do not set the appliance on fire.
- Please be sure to store alcoholic drinks or other packaging containing alcohol in tightly closed containers. Any alcohol that leaks out may be ignited by electrical components.

## Danger of tipping and falling:

- Do not misuse the plinth, drawers, doors etc. as a step or for support. This applies particularly to children.

## Danger of food poisoning:

- Do not consume food which has been stored too long.

## Danger of frostbite, numbness and pain:

- Avoid prolonged skin contact with cold surfaces or refrigerated/frozen goods or take protective measures, e.g wear use gloves.

## Danger of injury and damage:

- Hot steam can lead to injury. Do not use electrical heating or steam cleaning equipment, open flames or defrosting sprays to defrost.
- Do not use sharp implements to remove the ice.

## Danger of crushing:

- Do not hold the hinge when opening and closing the door. Fingers may get caught.

## Symbols on the appliance:



The symbol can be located on the compressor. It refers to the oil in the compressor and indicates the following danger: Swallowing or inhaling can be fatal. This is only relevant for recycling. There is no danger in normal operation.



This symbol is found on the compressor and indicates the danger of flammable materials. Do not remove the sticker.



A sticker to this effect may be applied to the rear of the appliance. It refers to the foam-padded panels in the door and/or the housing. This is only relevant for recycling. Do not remove the sticker.

## Please observe the specific information in the other sections:

	DANGER	identifies a situation involving direct danger which, if not obviated, may result in death or severe bodily injury.
	WARNING	identifies a dangerous situation which, if not obviated, may result in death or severe bodily injury.
	CAUTION	identifies a dangerous situation which, if not obviated, may result in minor or medium bodily injury.
	NOTICE	identifies a dangerous situation which, if not obviated, may result in damage to property.
	Note	It contains useful instructions and tips.

## 3 Controls and displays

### 3.1 Operating controls

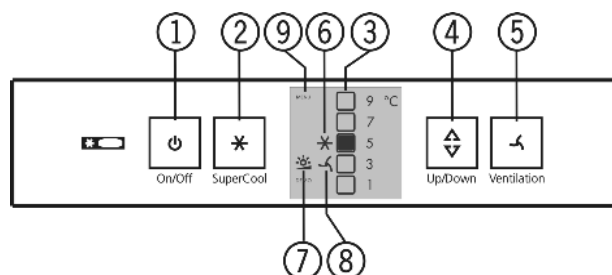


Fig. 3

- |                           |                        |
|---------------------------|------------------------|
| (1) On/Off button         | (6) SuperCool symbol   |
| (2) SuperCool button      | (7) Brightness symbol  |
| (3) Temperature indicator | (8) Ventilation symbol |
| (4) Adjustment button     | (9) Menu symbol        |
| (5) Ventilation button    |                        |

### 3.2 Temperature display

During normal operation, the display shows:

- the chiller temperature setting

The temperature display flashes if/when:

- You change the temperature setting

## 4 Putting into operation

### 4.1 Transporting the appliance

- ▶ Transport the appliance only in suitable packaging.
- ▶ Transport the appliance upright.
- ▶ Do not transport the appliance on your own.

### 4.2 Installing the appliance



#### WARNING

Fire hazard due to dampness!

If live parts or the mains lead become damp this may cause short circuits.

- ▶ The appliance is designed for use in enclosed areas. Do not operate the appliance outdoors or in areas where it is exposed to splash water or damp conditions.



#### WARNING

Risk of fire due to short circuit!

If the mains cable/connector of the appliance or of another appliance touch the rear of the appliance, the mains cable/connector may be damaged by the appliance vibrations, leading to a short circuit.

- ▶ Stand the appliance so that it is not touched by connectors or main cables.
- ▶ Do not plug the appliance or any others into sockets located near the rear of the appliance.



#### WARNING

Fire hazard due to refrigerant!

The coolant used is eco-friendly but also flammable. Any leaking coolant may ignite.

- ▶ Do not damage the piping of the refrigeration circuit.



#### WARNING

Fire hazard and danger of damage!

- ▶ Do not place appliances emitting heat e.g. microwaves, toasters etc. on the appliance!



#### WARNING

Blocked ventilation openings pose a risk of fire and damage!

- ▶ Always keep the ventilation openings clear. Always ensure that the appliance is properly ventilated!

#### NOTICE

Risk of damage due to condensate!

- ▶ Do not install the appliance directly alongside a further refrigerator/freezer.

#### Note

If you have several appliances next to one another, leave a gap of 100mm between appliances. Otherwise condensation will build up between the units.

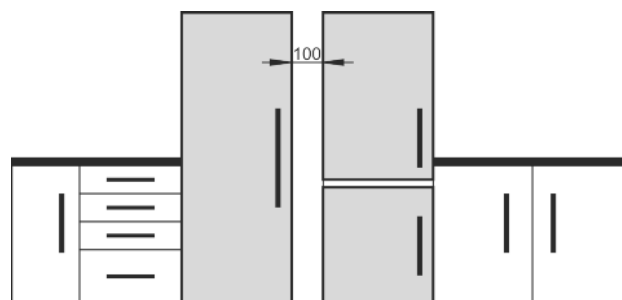
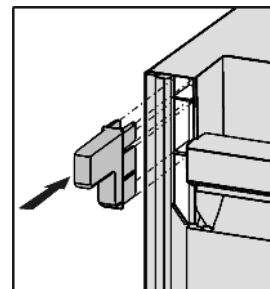


Fig. 4

- ❑ Before you connect the appliance, report any damage immediately to the delivery company.
- ❑ The floor of the installation site must be horizontal and even.
- ❑ Do not install the appliance in direct sunlight, next to an oven, radiator or similar.
- ❑ Install the appliance with the rear panel up against the wall and always use the supplied wall spacers (see below).
- ❑ Only ever move the appliance when it is empty.
- ❑ The surface supporting the appliance must be at the same level as the surrounding floor.
- ❑ Do not install the appliance on your own.
- ❑ The more coolant there is in the appliance, the larger the room in which the appliance is installed must be. If the room is too small, any leak may create a flammable mixture of gas and air. For each 8 g of coolant the installation space must be at least 1 m<sup>3</sup>. Information on the coolant is on the model plate inside the appliance.
- ▶ Detach the connecting cable from the rear of the appliance, removing the cable holder at the same time because otherwise there will be vibratory noise!
- ▶ Remove the protective film from the decorative trims.
- ▶ Remove all transit supports.

The spacers supplied with some appliances must be used to achieve the stated energy consumption. These will extend the depth of the appliance by approx. 35 mm. The appliance is fully functional if the spacers are not used, but does have a slightly higher energy consumption.

- ▶ In the case of an appliance with enclosed wall spacers, mount the wall spacers on the back of the appliance at the top left and right.



- ▶ Dispose of packaging material (see 4.5 Disposing of packaging) .



#### CAUTION

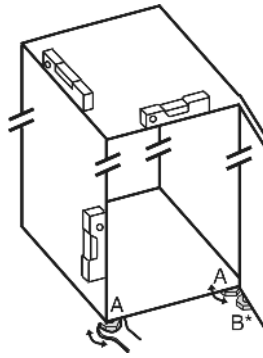
Risk of injury or damage from the appliance tipping or the door falling open!

If the additional adjustable foot on the base support is not correctly positioned on the floor, there is a risk of the door falling open or the appliance tipping. This can lead to injury or property damage.

- ▶ Unscrew the additional adjustable foot on the support until it reaches the floor.
- ▶ Then turn it another 90°.

# Putting into operation

- ▶ Align the appliance so that it stands firmly and on a level by applying the accompanying spanner to the adjustable-height feet (A) and using a spirit level.
- ▶ Then support the door: Extend the adjustable foot at the turn hinge (B) until it rests on the floor and then make a further 90° turn.



## Note

- ▶ Clean the appliance (see 6.2 Cleaning the appliance) .

If the appliance is installed in a very damp environment, condensate may form on the outside of the appliance.

- ▶ Always see to good ventilation at the installation site.

## 4.3 Changing over the door hinges

You can change over the door hinges if necessary.

Ensure that the following tools are to hand:

- Torx 25
- Torx 15
- Screwdriver
- Open-ended spanner included in supply package
- Second person for fitting work, if needed



## CAUTION

Risk of injury if the door tips!

- ▶ Take good hold of the door.
- ▶ Set down the door carefully.

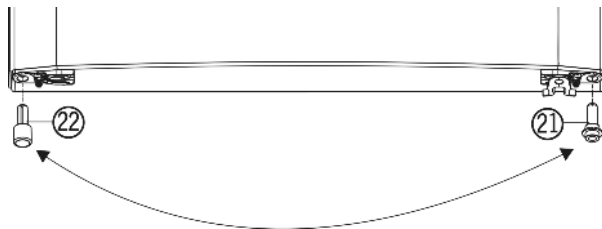


Fig. 5

- ▶ Remove the spacer Fig. 5 (22) from the bottom left of the door.
- ▶ Unscrew the securing screw on the bottom right Fig. 6 (1) turn hinge.
- ▶ Open the door.
- ▶ Hold the door on the handle side and at the bottom and lift it.
- ▷ The bearing pin Fig. 6 (21) should come out of the turn hinge Fig. 7 (2).
- ▶ If the bearing bolt Fig. 6 (21) doesn't undo press it out from underneath.
- ▶ Swing door out at the bottom and remove it.

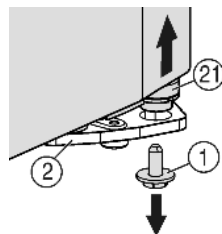


Fig. 6

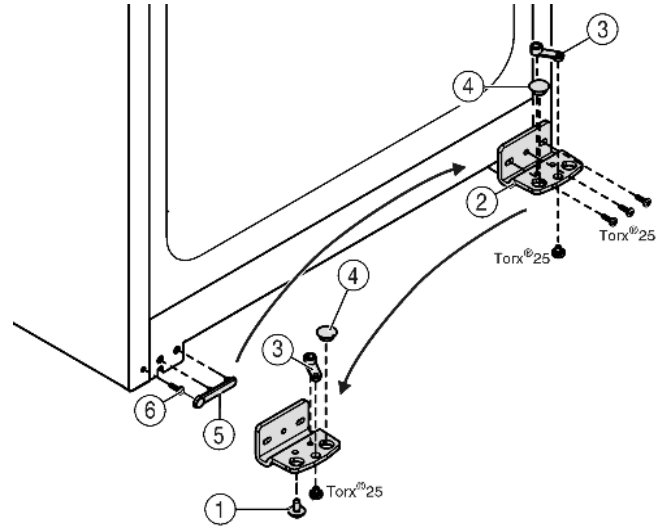


Fig. 7

- ▶ Unscrew the turn hinge Fig. 7 (2).
- ▶ Unscrew the bearing element, Fig. 7 (3) transfer it to the opposite location hole of the turn hinge and screw it firmly into place.
- ▶ Take the stopper Fig. 7 (4) out of the turn hinge and transfer it to the receiving hole on the opposite side of the turn hinge.
- ▶ Carefully lift off the cover Fig. 7 (5) on the handle side.
- ▶ Undo the screw Fig. 7 (6) and transfer it to the opposite side.
- ▶ Put the cover Fig. 7 (5) back on.
- ▶ Screw the turn hinge Fig. 7 (2) firmly into place on the new hinge side (**with 4 Nm**), possibly using a power screwdriver.

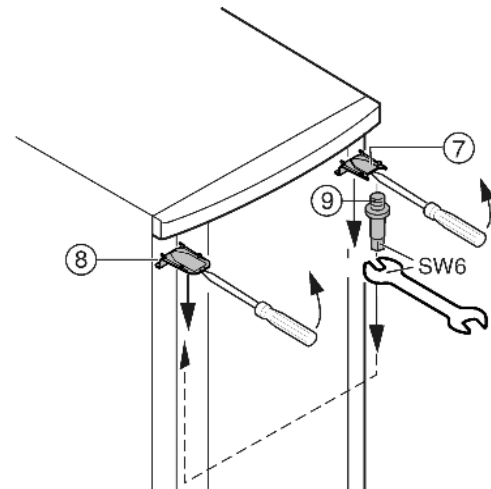


Fig. 8

- ▶ At the top, use a screwdriver to unclip cover Fig. 8 (7) and cover Fig. 8 (8) at the front, and remove by pulling out and down.
- ▶ Unscrew the bearing pin Fig. 8 (9) and screw it firmly into place on the opposite side (**with 4 Nm**).
- ▶ Refit the cover Fig. 8 (7) on the side of the bearing pin: insert at the back, snap in at the front.
- ▶ Fit the cover Fig. 8 (8) on the opposite side: insert at the back, snap in at the front.



## 4.4 Insertion into a row of kitchen units

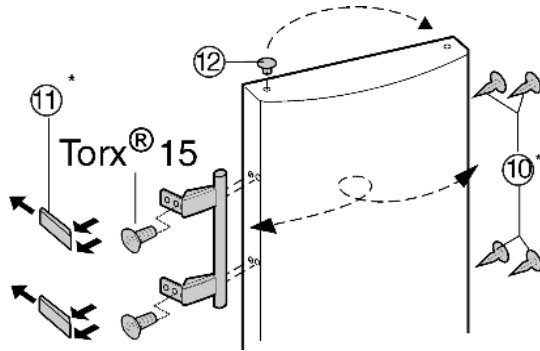


Fig. 9

- ▶ Lift the stopper Fig. 9 (12) out of the door bearing bush and transfer it.
- ▶ Detach door handle, stoppers Fig. 9 (10) and pressure plates Fig. 9 (11) and transfer to the opposite side.
- ▶ When mounting the pressure plates, make sure they snap into place properly.
- ▶ Transfer the spring clamp Fig. 10 (20): Depress the latch nose and pull the spring clamp off over it.
- ▶ Slide the spring clamp into place on the new hinge side until it clicks into place.
- ▶ Pull the bearing pin Fig. 10 (21) out of the door bush and transfer it to the opposite side together with the washer. The latch nose must point to the inner side of the door, the notch to the outer side.
- ▶ Hang the door on the bearing pin Fig. 8 (9) at the top.
- ▶ Swing the door in at the bottom and insert the bearing pin Fig. 10 (21) into the turn hinge. If necessary, turn the bearing pin until it snaps into place.
- ▶ Insert the securing screw Fig. 6 (1) at the bottom into the bearing pin and tighten it (with 4 Nm).
- ▶ If necessary, align the door flush with the appliance housing using the two slots in the turn hinge. To do so, unscrew the middle screw.
- ▶ Push the spacer Fig. 5 (22) into the bottom right of the door.

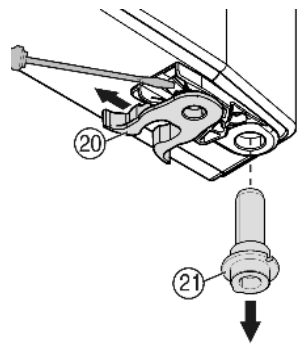


Fig. 10

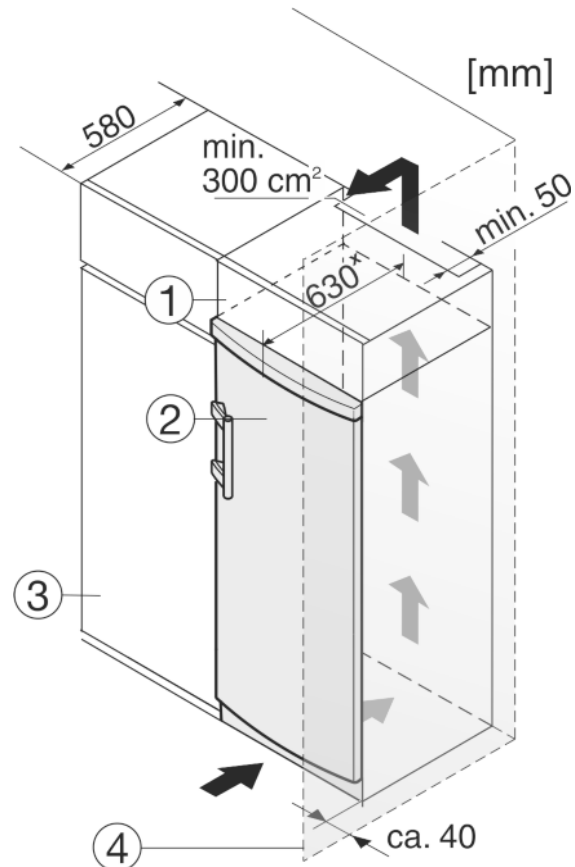


Fig. 11

- (1) Stack cabinet
- (2) Appliance
- (3) Kitchen cabinet
- (4) Wall

\* For appliances supplied with wall spacers, the measurement increases by 35 mm (see 4.2 Installing the appliance).

The appliance can be built into kitchen units. A top cupboard Fig. 11 (2) can be added above the appliance in order to bring the appliance Fig. 11 (1) up to the height of the fitted kitchen units.

When installing with kitchen units (max. depth 580 mm), the appliance can be positioned directly next to the kitchen cabinet Fig. 11 (3). The appliance will project by 34 mm \* at the sides and 50 mm \* in the centre of the appliance in relation to the kitchen cabinet front.

### NOTICE

Danger of overheating due to insufficient air ventilation!

The compressor may be damaged if there is insufficient air ventilation.

- ▶ Take care to ensure adequate air ventilation.
- ▶ Observe the ventilation requirements.

Ventilation requirements:

- At the back of the stack cabinet there has to be a ventilation duct of at least 50 mm depth throughout the width of the stack cabinet.
- The cross section of the ventilation gap below the ceiling must be at least 300 cm<sup>2</sup>.
- the larger the ventilation space, the more energy-saving the appliance is in operation.

If the appliance is installed with the hinges next to a wall Fig. 11 (4), the distance between appliance and wall has to be at least 40 mm. This corresponds to the projection of the handle when the door is open.

### WARNING

Risk of injury due to the door dropping out!

If the bearing parts are not screwed into place firmly enough, the door may drop out. This may lead to severe injuries. What is more, the door may not close and therefore the appliance may fail to cool properly.

- ▶ Screw on the bearing brackets/bearing pins tightly (4 Nm).
- ▶ Check all of the screws and retighten if necessary.

# Control

## 4.5 Disposing of packaging



### WARNING

Danger of suffocation due to packing material and plastic film!

- ▶ Do not allow children to play with packing material.

The packaging is made of recyclable materials:

- corrugated board/cardboard
  - expanded polystyrene parts
  - polythene bags and sheets
  - polypropylene straps
  - nailed wooden frame with polyethylene panel\*
- ▶ Take the packaging material to an official collecting point.



## 4.6 Connecting the appliance

### NOTICE

Failure to connect properly  
Damage to the electronics.

- ▶ Do not use a standalone inverter.
- ▶ Do not use an energy saving plug.



### WARNING

Failure to connect properly  
Fire hazard.

- ▶ Do not use an extension cable.
- ▶ Do not use distributor blocks.

The type of current (alternating current) and voltage at the installation site have to conform with the data on the type plate (see 1 Appliance at a glance).

The socket must be properly earthed and fused. The tripping current for the fuse must be between 10 A and 16 A.

The socket must be easily accessible so that the appliance can be quickly disconnected from the supply in an emergency. It must be outside the area of the appliance.

- ▶ Check the electrical connection.
- ▶ Plug in the power plug.



## 4.7 Switching on the appliance

- ▶ Press On/Off button *Fig. 3 (1)*.
- ▷ The appliance is switched on. The temperature display indicates the set temperature.
- ▷ If all LEDs in the temperature display light up, demo mode is activated. Please contact the after sales service.

## 5 Control

### 5.1 Brightness of the temperature display

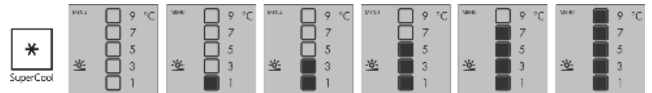
You can adjust the brightness of the temperature display to the light conditions of the room in which the appliance is installed.

#### 5.1.1 Adjusting the brightness

The background lighting can either be turned off or set to one of 5 levels. The factory setting is that the background lighting is turned off.

- ▶ Activate setting mode by pressing the SuperCool button *Fig. 3 (2)* for approx. 5 sec.

- ▷ The menu symbol *Fig. 3 (9)* lights up and the brightness symbol *Fig. 3 (7)* flashes.
- ▶ Confirm the brightness function: Briefly press the SuperCool button *Fig. 3 (2)*.
- ▷ The brightness symbol *Fig. 3 (7)* shines.



- ▶ Using the setting button *Fig. 3 (4)*, select either "off" or the brightness wanted. The more display fields of the temperature display that light up, the brighter it is. If no field is lit up, it means "off".
- ▶ Confirm by pressing the SuperCool button *Fig. 3 (2)*.
- ▷ The brightness symbol *Fig. 3 (7)* flashes.
- ▷ The temperature is adjusted to the new value.
- ▶ To deactivate the setting mode: Press the On/Off button *Fig. 3 (1)*.

-or-

- ▶ Wait for 5 minutes.

- ▷ The brightness symbol *Fig. 3 (7)* and the menu symbol *Fig. 3 (9)* go out.
- ▷ The temperature is indicated again in the temperature display.

## 5.2 Refrigerating food

The coldest areas are directly above the vegetable compartments and along the back wall. The warmest area is at the top front and in the door.

### Note

The energy consumption increases and the cooling performance decreases if the ventilation is inadequate.

- ▶ Always keep the air slits of the fan free.

- ▶ Store perishable foods such as ready-to-eat meals, meat and sausages in the coldest area. Place butter and preserves in the top area and in the door. (see 1 Appliance at a glance)
- ▶ Use reuseable plastic, metal, aluminium, glass containers and foil wrap to store food.
- ▶ Always store raw meat and fish in clean, sealed containers on the bottom shelf of the refrigerator, to prevent them coming into contact with or dripping onto other foods.
- ▶ Foods that easily absorb or give off smell or taste, as well as liquids, should be stored in sealed containers or covered.
- ▶ Use the front area of the base shelf only to temporarily set down refrigerated foods, for example while rearranging or sorting the contents. Remember not to leave refrigerated foods here as they could shift to the back or tip over when you close the door.
- ▶ Do not pack foods too closely together, as the air needs to circulate.

## 5.3 Setting the temperature

The temperature depends on the following factors:

- the door opening frequency
- how long the door is open for
- the room temperature at the site where the appliance is installed
- the type, temperature and quantity of frozen food

Temperature setting to be recommended: 5 °C

The temperature can be changed continuously. Once the 1 °C setting is reached, it starts again with 9 °C.

- ▶ To access temperature adjustment: press the setting button *Fig. 3 (4)* once.
- ▷ The LED of the current temperature flashes in the temperature display.



- ▶ Press the setting button *Fig. 3 (4)* the number of times needed until the required temperature shines in the LED display.

#### Note

- ▶ Long pressing of the setting button sets a slightly colder value within a small temperature range (e.g.: between 5 °C and 7 °C). The LED of the next lower temperature range then shines in the temperature display.

## 5.4 SuperCool

With SuperCool you switch to the highest cooling performance to reach lower cooling temperatures. Use SuperCool, to rapidly cool large amounts of food.

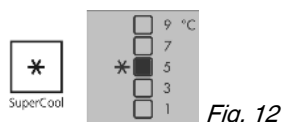


When SuperCool is activated, the fan\* may run. The appliance operates with maximum cooling performance, which means that the noise of the refrigeration unit may be temporarily louder.

The SuperCool function uses slightly more energy.

### 5.4.1 Switching on SuperCool

- ▶ Briefly press SuperCool button *Fig. 3 (2)*.
- ▷ The SuperCool *Fig. 3 (6)* symbol lights up in the display.



*Fig. 12*

- ▷ The cooling temperature drops to the lowest setting.
- ▷ SuperCool is on.
- ▷ SuperCool turns off automatically. The appliance continues in energy-saving Normal mode.

### 5.4.2 To prematurely deactivate SuperCool

- ▶ Briefly press SuperCool button *Fig. 3 (2)*.
- ▷ The SuperCool symbol *Fig. 3 (6)* goes out in the display.
- ▷ SuperCool is deactivated.

## 5.5 Fan

With the fan you can rapidly cool large quantities of fresh food or achieve a relatively even distribution of temperature across all the storage levels.



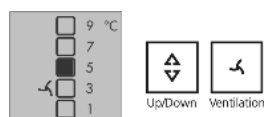
The forced-air cooling is to be recommended:

- at high room temperature (above 33 °C)
- at high humidity

The forced-air cooling uses slightly more energy. To save energy, the fan switches off automatically when the door is open.

### 5.5.1 Switching on the fan

- ▶ Briefly press the fan button *Fig. 3 (5)*.
- ▷ The fan symbol *Fig. 3 (8)* shines.



*Fig. 13*

- ▷ The fan is active. In some appliances, the fan is only activated when the compressor is running.

### 5.5.2 To switch off the fan

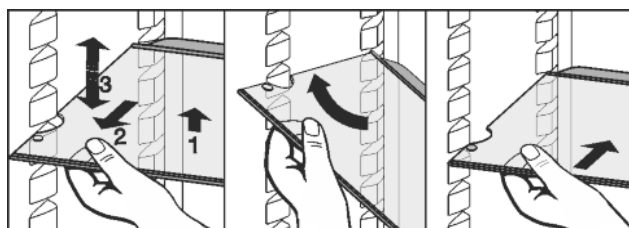
- ▶ Briefly press the fan button *Fig. 3 (5)*.
- ▷ The fan symbol *Fig. 3 (8)* goes out.

- ▷ The fan is switched off.

## 5.6 Shelves

### 5.6.1 Moving or removing shelves

The shelves are prevented from being pulled out accidentally by pull out stops.

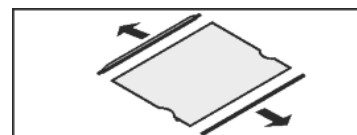


*Fig. 14*

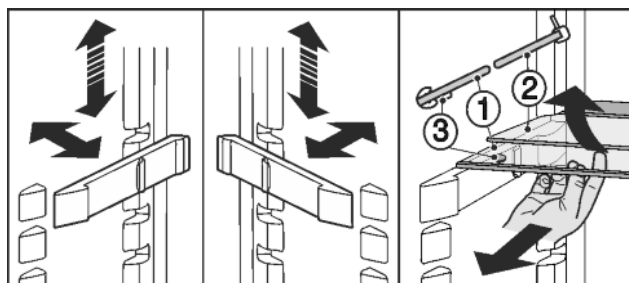
- ▶ Lift the shelf and pull forward a little.
- ▶ Adjust the height of the shelf. To do this move the slots along the supports.
- ▶ In order to remove the shelf fully, place it at a slant and pull out towards the front.
- ▶ Insert shelf with the raised edge pointing upwards at the back.
- ▷ The food does not freeze onto the rear wall.

### 5.6.2 Dismantling shelves

- ▶ The shelves can be dismantled for cleaning.



## 5.7 Using the sectioned shelf



*Fig. 15*

Adjusting the height:

- ▶ Pull the glass plates out forwards one by one.
  - ▶ Remove the support from the catch mechanism and click into place at the required height.
- Using both shelves:
- ▶ Lift the top glass plate and pull the bottom glass plate forwards.
  - ▷ The glass plate (1) with the pull out stops must be at the front so that the stops (3) point downward.

# Maintenance

## 5.8 Door racks

### 5.8.1 Moving the storage rack

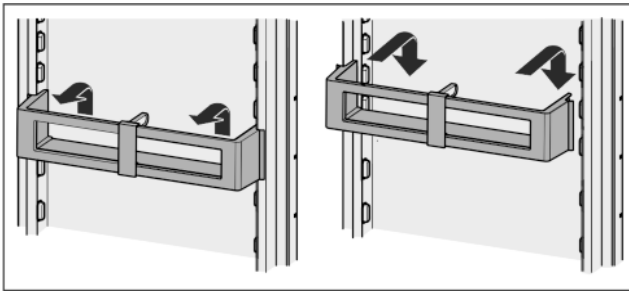


Fig. 16

### 5.8.2 Dismantling door racks

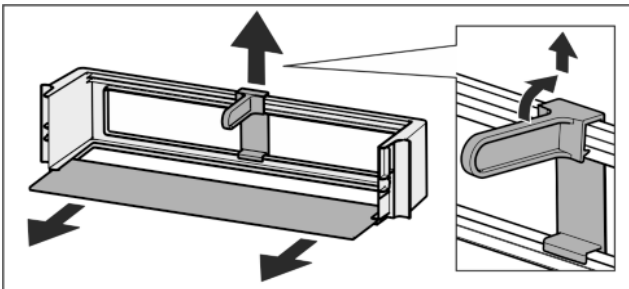


Fig. 17

- ▶ The door racks can be dismantled for cleaning.

## 6 Maintenance

### 6.1 Defrosting

#### 6.1.1 Defrosting refrigerator compartment

The fridge compartment defrosts automatically. The defrosted water will evaporate. Water drops or a thin layer of frost or ice can form on the back wall; this is a completely normal part of the machine's function.

- ▶ Clean the drain hole at regular intervals to allow the defrost water to drain (see 6.2 Cleaning the appliance) .

### 6.2 Cleaning the appliance

Clean the appliance regularly.



#### WARNING

Risk of injury and damage as a result of hot steam!  
Hot steam can lead to burns and can damage the surfaces.

- ▶ Do not use any steam cleaners!

#### NOTICE

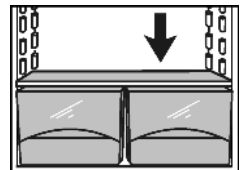
Incorrect cleaning damages the appliance!

- ▶ Do not use cleaning agents in concentrated form.
- ▶ Do not use any scouring or abrasive sponges or steel wool.
- ▶ Do not use any sharp or abrasive cleaning agents, nor any that contain sand, chloride or acid.
- ▶ Do not use chemical solvents.
- ▶ Do not damage or remove the type plate on the inside of the appliance. It is important for the customer service.
- ▶ Do not pull off, bend or damage cables or other components.
- ▶ Do not allow any cleaning water to enter the drain channel, ventilation grille or electrical parts.
- ▶ Please use soft cleaning cloths and a universal pH-neutral cleaning agent.
- ▶ Please use cleaning and care products suitable for contact with foodstuffs in the appliance interior.

- ▶ **Empty appliance.**
- ▶ **Pull out the power plug.**



- ▶ Clean **plastic outer and inner surfaces** with lukewarm water and a little washing-up liquid.
- ▶ Only use a soft clean cloth to wipe **side walls with a paint finish**. In the case of heavy soiling, use lukewarm water with neutral cleaning agent.
- ▶ Use only a soft clean cloth to wipe **door surfaces** with a paint finish. In the case of heavy soiling, use a little water or neutral cleaning agent. A micro-fibre cloth can be used optionally.
- ▶ Clean **drain hole**: Remove deposits with a narrow instrument, e.g. a cotton bud.



- ▶ Most of the **parts** can be dismantled for cleaning: see the relevant chapter.
- ▶ **Clean drawers** by hand with lukewarm water and a little washing-up liquid.
- ▶ Clean **other items of equipment** by hand with lukewarm water and a little washing-up liquid.

#### After cleaning:

- ▶ Wipe dry the appliance and items of equipment.
- ▶ Connect the appliance and switch it on again.  
When the temperature is sufficiently cold:
- ▶ Put the food back inside.

### 6.3 Replacing the interior illumination with LED lamp

In the device, an LED lamp is used as standard illumination for the interior space.

#### When an incandescent bulb is used:

- Use an incandescent lamp with max. 15 W and E14 socket.
- Power supply (AC) and voltage at the operating point must comply with the details on the rating plate (see 1 Appliance at a glance) .

#### When a LED is used:

- Use only the original LED lamp from the manufacturer. The lamp can be obtained through customer service or a specialist dealer (see 6.4 Customer service) .



## WARNING

Risk of injury from LED light!  
The light intensity of the LED lighting corresponds to risk group RG 2.

If the cover is removed:

- ▶ Do not look directly into the light at close quarters through optical lenses. Doing so may damage your eyes.



## WARNING

Fire hazard from the LED light!  
If different LED lights are used, there is a danger of overheating or fire.

- ▶ Use the manufacturer's original LED light.

- ▶ Switch off the appliance.
- ▶ Pull out the mains plug or switch off/unscrew the fuse.
- ▶ Take hold of the lamp cover at the top and bottom *Fig. 18 (1)*.
- ▶ Disengage the lamp cover at the back and detach it *Fig. 18 (2)*.
- ▶ Replace the lamp *Fig. 18 (3)*.
- ▶ Clip the back end of the cover in and clip the sides into place.

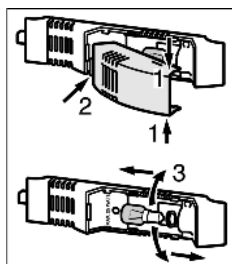


Fig. 18

## 6.4 Customer service

First check whether you can correct the fault yourself by reference to the list (see 7 Malfunctions). If this is not the case, please contact the customer service whose address is given in the enclosed customer service list.



## WARNING

Risk of injury if repair work is not carried out professionally!

- ▶ Have any repairs and action - not expressly specified - on the appliance and mains cable carried out by service personnel only. (see 6 Maintenance)

- ▶ Read the appliance designation *Fig. 19 (1)*, service No. *Fig. 19 (2)* and serial No. *Fig. 19 (3)* off the type plate located inside the appliance on the left-hand side.

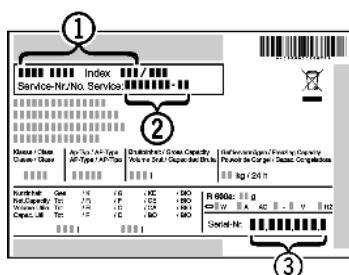


Fig. 19

- ▶ Notify the customer service, specifying the fault, appliance designation *Fig. 19 (1)*, service No. *Fig. 19 (2)* and serial No. *Fig. 19 (3)*.
- ▷ This will help us to provide you with a faster and more accurate service.
- ▶ Keep the appliance closed until the customer service arrives.
- ▷ The food will stay cool longer.
- ▶ Pull out the mains plug (not by pulling the connecting cable) or switch off the fuse.

## 7 Malfunctions

Your appliance is designed and manufactured for a long life span and reliable operation. If a malfunction nonetheless occurs during operation, check whether it is due to a handling error. In this case you will have to be charged for the costs incurred, even during the warranty period. You may be able to rectify the following faults yourself:

### Appliance does not work.

- The appliance is not switched on.
- ▶ Switching on the appliance.
- The power plug is not properly inserted in the wall socket.
- ▶ Check power plug.
- The fuse of the wall socket is not in order.
- ▶ Check fuse.

### The compressor runs for a long time.

- The compressor switches to a low speed when little cold is needed. Although the running time is increased as a result, energy is saved.
- ▶ This is normal in energy-saving models.
- SuperCool is activated.
- ▶ The compressor runs for longer in order to rapidly cool the food. This is normal.

### A LED on the bottom rear of the appliance (at the compressor) flashes regularly every 15 seconds\*.

- The inverter is equipped with a diagnostic LED.
- ▶ The flashing is normal.

### Excessive noise.

- Due to the various speed steps, speed-regulated\* compressors can generate different running noises.
- ▶ The sound is normal.

### A bubbling and gurgling noise.

- This noise comes from the refrigerant flowing in the refrigeration circuit.
- ▶ The sound is normal.

### A quiet clicking noise.

- The noise is produced whenever the refrigeration unit (motor) automatically switches on or off.
- ▶ The sound is normal.

### A hum. It is briefly a little louder when the refrigeration unit (the motor) switches on.

- The refrigeration increases automatically when the SuperCool function is activated, fresh food has just been placed in the appliance or the door has been left open for a while.
- ▶ The sound is normal.
- The ambient temperature is too high.
- ▶ Solution: (see 1.2 Appliance range of use)

### A low hum.

- The sound is produced by air flow noise of the fan.
- ▶ The sound is normal.

### Vibration noises

- The appliance is not standing firmly on the floor. As a result objects and adjacent units start to vibrate when the refrigerator is running.
- ▶ Align the appliance using the adjustable feet.
- ▶ Keep bottles and jars apart.

### DEMO shines in the temperature display.

- The demo mode is activated.
- ▶ Please contact the after-sales service (see 6 Maintenance).

### The outer surfaces of the appliance are warm\*.

- The heat of the refrigeration circuit is used to prevent condensate from forming.
- ▶ This is normal.

# Decommissioning

## The temperature is not cold enough.

- The door of the appliance is not properly closed.
- ▶ Close the door of the appliance.
- Insufficient ventilation.
- ▶ Keep ventilation grille clear, and clean it.
- The ambient temperature is too high.
- ▶ Solution: (see 1.2 Appliance range of use) .
- The appliance was opened too frequently or for too long.
- ▶ Wait to see whether the appliance reaches the required temperature by itself. If not, please contact the after sales service (see 6 Maintenance) .
- The temperature is incorrectly set.
- ▶ Set the temperature to a colder setting and check after 24 hours.
- The appliance is too close to a source of heat (stove, heater etc).
- ▶ Change the position of the appliance or the source of heat.

## The internal light does not come on.

- The appliance is not switched on.
- ▶ Switch the appliance on.
- The door was open for longer than 15 minutes.
- ▶ The internal light switches itself off automatically after about 15 minutes if the door is open.
- If the inside light does not come on but the temperature display is lit up, the lamp (if model comes with an LED lamp) needs replacing.



### WARNING

Risk of injury from LED light!

The light intensity of the LED lighting corresponds to risk group RG 2.

If the cover is removed:


- ▶ Do not look directly into the light at close quarters through optical lenses. Doing so may damage your eyes.
- 
- ▶ Change the lamp (see 6 Maintenance) .

## 8 Decommissioning

### 8.1 Switching off the appliance

- ▶ Press the On/Off button *Fig. 3 (1)* until the display goes dark. Release button.

### 8.2 Taking the appliance out of service

- ▶ Empty the appliance.
  - ▶ Switch off the appliance (see 8 Decommissioning) .
  - ▶ Remove mains connector.
  - ▶ Clean the appliance (see 6.2 Cleaning the appliance) .
- 
- ▶ Leave the door open to prevent odour.

## 9 Disposing of the appliance

The appliance contains some reusable materials and should be disposed of properly - not simply with unsorted household refuse. Appliances which are no longer needed must be disposed of in a professional and appropriate way, in accordance with the current local regulations and laws.



Do not damage the disused appliance while removing it from the cooling circuit, in case the coolant (information on the model plate) ) or oil inside leaks out.

**For Germany:**

The appliance can be disposed of free of charge in Class 1 collection containers at your local recycling centre. When purchasing a new fridge/freezer and if your sales area is > 400 m<sup>2</sup>, the retailer will also take back the old appliance free of charge.

### Decommission the appliance:

- ▶ Pull out the plug.
- ▶ Cut through the connecting cable.







**Liebherr-Hausgeräte Marica EOOD**

4202 Radinovo

Bezirk Plovdiv

Bulgarien

[home.liebherr.com](http://home.liebherr.com)