

# GRT50S2HC

---

ProfiLine



---

 GERMAN  
ENGINEERING

---

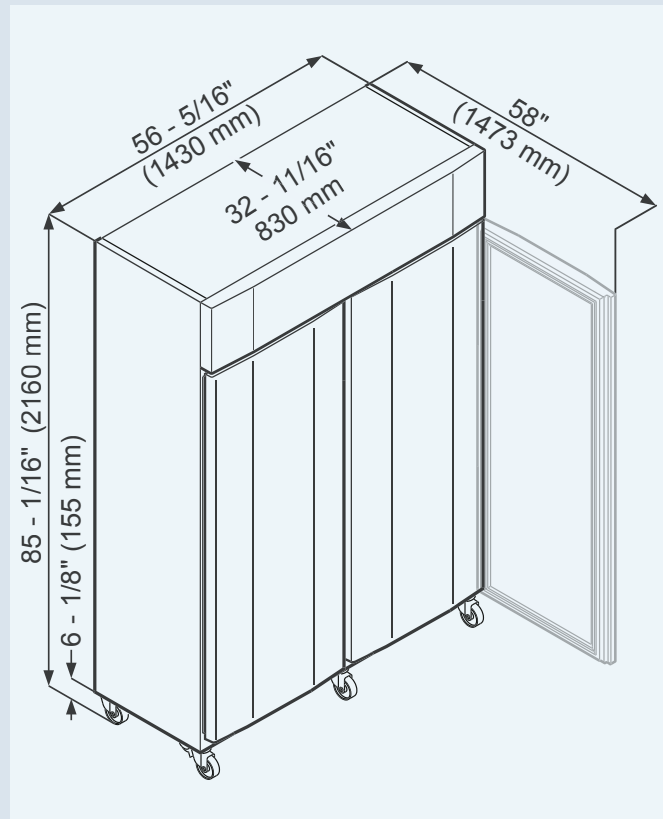
# LIEBHERR

# Food Service Refrigerator with Top Mount Compressor and Stainless Steel Inner Liner



<b>Double Door Refrigerator</b> with Top Mount Compressor	<b>GRT50S2HC</b> ProfileLine	LED
<b>Total gross/net capacity</b> cu.ft. (l)	48.1/46.7 (1361/1322)	
<b>Exterior dimensions</b> in inches (w/d/h) in mm (w/d/h)	56 5/16"/32 11/16"/85 1/8" 1430/830/2162	
<b>Interior dimensions</b> in inches (w/d/h) in mm (w/d/h)	48 7/8"/25 5/8"/61 1/16" 1240/650/1550	
Energy consumption in 365 days *	876 kWh	
Ambient temperature in °F (°C)	61°F to 109°F (16°C to 43°C)	
Refrigerant	R290	
Sound rating **	62 dB(A)	
Connection rating	5.0 A/500 W	
Frequency/voltage	60 Hz/115V~	
Cooling system	forced-air	
Defrost	automatic	
Temperature range in °F (°C)	28°F to 61°F (-2°C to 16°C)	
External cabinet finish	stainless steel	
Door/lid material	stainless steel	
Internal liner material	stainless steel	
Type of control	electronic control	
Temperature display	external digital	
Alarm	visual and audible	
Alarm forwarding	yes	
Interior light	LED ceiling light	
Adjustable shelves	8	
Shelf material	304-grade stainless steel wire shelves	
Shelf load weight in lbs (kg)	132.3 (60)	
Usable shelf area in inches (mm)	48 7/8"/21 5/16" (1240/540)	
Casters	casters with brake at the front, fixed casters at the rear	
Handle	full-length integrated handle	
Lock	recessed	
Self-closing door	yes	
Door hinges	left fixed/right fixed	
Insulation in inches (mm)	3 5/16" - 2 3/8" (83 - 60)	
Gross/net weight in lbs (kg)	542.3/440.9 (246/200)	
<b>Accessories</b>		
U-shaped tray slide, right/left	9001761/9001757	
Wire shelf	7112904	
Middle shelf	7112389	
Foot pedal opener	9590639	
Side-by-Side kit	9901969	
Adjustable feet	9593438	

## Unit Dimensions



\* Measured unloaded at 80°F (26.6°C) ambient temperature with set point of 38°F (3.3°C).  
 \*\* Noise level – sound power re 1pW – according to IEC 60704-2-14.

Subject to modification. For up-to-date information, visit [home.liebherr.com](http://home.liebherr.com).