

# One Solution For All Your Favourites

Quality, Design and Innovation



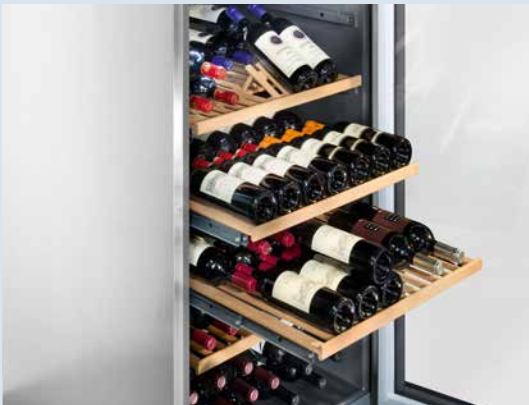
EWTdf 3553



# LIEBHERR



**Electronic LCD Display:** Intuitive navigation of touch electronic control system enables tailored storage options. The digital temperature display can be viewed via the UV tinted glass door.



**Presentation shelf:** The practical shelf of our Vinidor range fulfils both bottle storage and presentation functions, while telescopic rails enable smooth shelf sliding. Bottles can be stored horizontally at the rear.



**LED lighting:** The light in the cooling compartments can be dimmed to give a pleasing ambient light inside the appliance.

The advanced dual-zone **EWTdf 3553** offers a number of innovative solutions for wine storage. Controls are integrated into the insulation layer between the temperature zones, making it possible to set two different temperatures within the unit. Store red and white wines according to your preference, each at its optimum drinking temperature. This wine cabinet is compatible with furniture overlay panels (supplied by your kitchen retailer) or Liebherr's stainless steel frame and aluminium handle accessories<sup>1</sup>.

### EWTdf 3553

Vinidor

LED

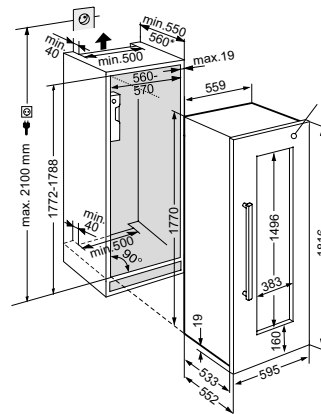
Wine

Soft System

Telescopic Rails

°Energy consumption (kWh/yr)   24hr	°162   0.443
Bottle capacity (750ml Bordeaux)	80
Safety glass door	•
Control system   Display	Touch-Electronic   LCD
Digital temperature display	Internal
Tinted glazed door	Triple
Temperature zones	2
Temperature range (°C) Min   Max °C	5   20
Suitable for ambient temperature Min   Max °C	10   43
Interior light	Dimmable LED
Hand crafted beech wood shelves   Telescopic rails	8   •
Presentation shelf   Base shelves	•   2
Recirculated air cooling   Fresh air supply via activated charcoal filter	•   1
Child proof lock (control panel)	•
SoftSystem hinge - assists door closure	•
Label holders	•
Temp alarm   Door open warning signal   Malfunction warning signal	•   •   •
Ventilation switch   Automatic defrosting	•
Adjustable height	•
Optional extra stainless steel frame & aluminium handle	•
Door hinge	Right, reversible
Gross weight (kg)   Net weight (kg)	98   89
Voltage (V)   Rated Current (A)	220-240   1.0
Made In	Austria

### Installation Diagram



Activated Charcoal Filter  
Part no.: 3988128900

° = Measurements taken at +25°C ambient and +12°C interior temperature tested by Liebherr Germany (not to Australian standards).

<sup>1</sup> Optional accessories: Stainless Steel Frame & Aluminum Handle (Part no. 3990157300), Activated Charcoal Filter (Part no. 3988128900)

*Note: Whilst every effort is made to ensure all specifications and information in this flyer are accurate, Liebherr reserves the right to make changes without notification. Where actual appliance measurements, specifications, and ratings are crucial, we recommend that the actual appliance installation instructions that accompany each appliance be checked. Liebherr will not be liable for any loss.*