
XRCbsh 5266

Side-by-Side combination
○ Prime

LIEBHERR

Freestanding



SBNbsh 5264

Fridge-freezer with BioFresh and NoFrost

◊ Prime



← 60 →



Energy consump. in 365 days/24 h	167.900 / 0.460 kWh¹
Total volume	305 l²
Volume	Fridge: 81 l / BioFresh compartment: 94 l / Freezer compartment: 130 l
Noise output	34 dB(A)
Climate rating	SN,N,ST,T
Door / Side walls	BlackSteel / BlackSteel
Exterior dimensions in cm (h / w / d)	185.5 / 59.7 / 67.5³
Controls	
Type of Control	2.4" TFT Display farbig/hinter der Tür/Touch und Swipe-display Digital temperature display for BioFresh and freezer compartments
Door alarm	visual and acoustic
Alarm in case of malfunction	visual and acoustic
Fridge compartment	
Forced air system	PowerCooling with FreshAir activated charcoal filter
Door interior	Premium GlassLine storage shelves with bottle holder, removable VarioBoxes
Bottle shelf	Integrated bottle shelf
Interior light	LED ceiling lighting LED BioFresh lighting
BioFresh-Safes	2 BioFresh safes with SoftTelescopic, 2 Fruit & Vegetable safes
Freezer compartment	
Interior light	LED lighting
Number of drawers	4 drawers
IceMaker	with fixed 3/4" water connection
Ice cube capacity in 24 hours	1.2 kg
Ice cube stock	5.4 kg
Freezing capacity in 24 hours	10 kg
Temperature rise time	20 h
Features	
Side-by-Side concept	Side wall heating right, suitable for combination with other refrigerators, freezers and/or wine appliances
Door hinges	Reversible door hinge, left
Replaceable door seal	yes
EAN-Nr.	4016803129691

¹ To achieve the indicated energy consumption level, the wall spacers provided with the appliance must be used. These increase the appliance depth by approximately 1.5 cm. If the wall spacers are not used, the appliance will remain fully functional, but will have a slightly higher energy consumption level.

² In accordance with Regulation EU 2019/2016 we indicate the total volume to the nearest integer (rounded off) and the volume of the frozen compartments and refrigeration compartments to one place after the decimal point.

Features



Fruit & Vegetable safe

Crunchy salad and strawberries: the most delicate foods deserve a special place so they stay fresh longer – in BioFresh safes. In the Fruit & Vegetable safe the temperature is close to 0 °C. Combined here with the constant humidity, thanks to the air-tight closure, unpackaged fruit and vegetables feel particularly at home. You do not have to adjust anything.



Meat & Dairy safe

Do you want the tender veal fillet or fresh milk to stay fresh for as long as possible? The BioFresh safes will ensure this is the case. In the Meat & Dairy Safe, the temperature is close to 0 °C – ideal storage conditions for even the most delicate of foods. And best of all, everything is perfectly adjusted in the factory for immediate use – and for longer freshness.



NoFrost

When you open your freezer, you want to see frozen food – and certainly not ice and frost. NoFrost protects the freezer compartment from unwanted icing, which consumes a lot of energy and can be expensive. NoFrost means no more tedious and time-consuming defrosting of the freezer compartment, more time for other things – and saving money.



DuoCooling

DuoCooling uses two completely separate refrigeration circuits to ensure no air is exchanged between the fridge and freezer compartments. The food neither dries out nor is odour transferred. This means throwing less away, shopping less often, but saving more and greater enjoyment.



BlackSteel

Black stainless steel strikingly emphasises the simplistic beauty of pure metal. The BlackSteel surface captivates with its unique vertical polish and refined touches, giving the material its characteristic sharpness and making it both scratch and fingerprint insensitive. So your appliance always remains an eye-catcher.



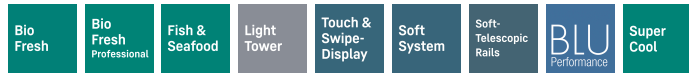
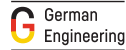
VarioTemp

Experience plenty of scope when storing food: Thanks to VarioTemp, you can set the freezer compartment of your fridge-freezer to the exact degree from -2 °C to +14 °C. So you can use it as an extra cooling zone at parties, for example – or as a cellar compartment.

SRBbsh 5260

Freestanding refrigerator with
BioFresh Professional

◊ Prime



← 60 →



Energy consump. in 365 days/24 h	98.550 / 0.270 kWh¹
Total volume	379 l²
Volume	Fridge: 242 l / BioFresh compartment: 137 l
Noise output	34 dB(A)
Climate rating	SN,N,ST,T
Door / Side walls	BlackSteel / BlackSteel
Exterior dimensions in cm (h / w / d)	185.5 / 59.7 / 67.5³
Controls	
Type of Control	2.4" TFT Display farbig/hinter der Tür/Touch und Swipe-display Digital temperature display for fridge and BioFresh compartments
Door alarm	visual and acoustic
Fridge compartment	
Forced air system	PowerCooling with FreshAir activated charcoal filter
Door interior	Premium GlassLine storage shelves with bottle holder, removable VarioBoxes, adjustable egg tray
VarioSafe	yes
Bottle shelf	Integrated bottle shelf
Interior light	LED light panel, both sides LED BioFresh lighting
BioFresh-Safes	3 BioFresh safes with SoftTelescopic, 1 Fruit & Vegetable safe, 1 Fish & Seafood safe, 1 Meat & Dairy safe
Features	
Side-by-Side concept	Side wall heating left, suitable for combination with other refrigerators, freezers and/or wine appliances
Door hinges	Reversible door hinging, right
Replaceable door seal	yes
EAN-Nr.	4016803133131

¹ To achieve the indicated energy consumption level, the wall spacers provided with the appliance must be used. These increase the appliance depth by approximately 1.5 cm. If the wall spacers are not used, the appliance will remain fully functional, but will have a slightly higher energy consumption level.

² In accordance with Regulation EU 2019/2016 we indicate the total volume to the nearest integer (rounded off) and the volume of the frozen compartments and refrigeration compartments to one place after the decimal point.

Features



BioFresh Professional

The BioFresh Professional safe gives food an additional boost of freshness for a long shelf life – wow effect included: Thanks to HydroBreeze a cold mist covers fruit and vegetables like a protective balm. In combination with a temperature just above 0 °C and high humidity, unpackaged fruits and vegetables feel right at home.



Fish & Seafood-Safe

Love fish? Your Liebherr keeps fish fresh! The Fish & Seafood Safe stores fish and seafood at the optimum temperature of -2 °C; as professionally as your fishmonger. Adjust the size of the -2 °C zone as much as you want – and store the remaining meat and dairy products at the optimum 0 °C. An LED display indicates that the -2 °C zone is currently active.



Fruit & Vegetable safe

Crunchy salad and strawberries: the most delicate foods deserve a special place so they stay fresh longer – in BioFresh safes. In the Fruit & Vegetable safe the temperature is close to 0 °C. Combined here with the constant humidity, thanks to the air-tight closure, unpackaged fruit and vegetables feel particularly at home. You do not have to adjust anything.



Meat & Dairy safe

Do you want the tender veal fillet or fresh milk to stay fresh for as long as possible? The BioFresh safes will ensure this is the case. In the Meat & Dairy Safe, the temperature is close to 0 °C – ideal storage conditions for even the most delicate of foods. And best of all, everything is perfectly adjusted in the factory for immediate use – and for longer freshness.



BlackSteel

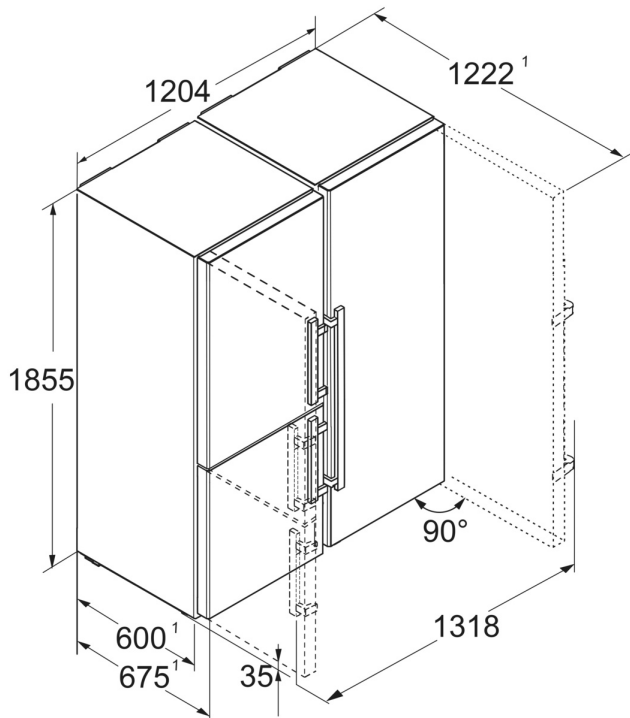
Black stainless steel strikingly emphasises the simplistic beauty of pure metal. The BlackSteel surface captivates with its unique vertical polish and refined touches, giving the material its characteristic sharpness and making it both scratch and fingerprint insensitive. So your appliance always remains an eye-catcher.



LightTower

Enjoy an optimally illuminated interior: the LightTower shows off the food in its best light and is positioned so that all of your filled fridge is illuminated at all times. The flush mounting of the LightTower in the side walls means there is also more space for your food.

Technical drawing



Products and their details are staged for advertising purposes. Whilst every effort is made to ensure all specifications and information in this flyer are accurate, Liebherr reserves the right to make changes without notification. Where actual appliance measurements, specifications, and ratings are crucial, we recommend that the actual appliance installation instructions that accompany each appliance be checked. Liebherr will not be liable for any damage. (29.05.2024)

