

# SWTNeS 4265

Fridge-freezer with NoFrost  
PremiumPlus



# LIEBHERR

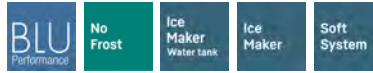
Freestanding

**LIEBHERR**

# SWTNes 4265

Fridge-freezer with NoFrost  
PremiumPlus

**G** Made  
in Germany



← 60 →



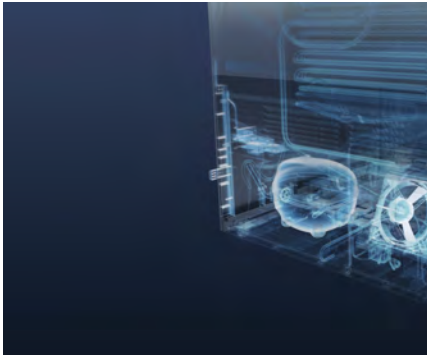
|                                       |   |
|---------------------------------------|---|
| Energy consump. in 365 days/24 h      | 211 / 0.578 kWh <sup>1</sup>  |
| Volume                                | Freezer compartment: 154 l  |
| Frequency / voltage                   | 50/60 Hz / 220-240 V~   |
| Connection Rating                     | 1.4 A 231 W   |
| Door / Side walls                     | SmartSteel / SmartSteel   |
| Exterior dimensions in cm (h / w / d) | 185 / 60 / 68.5 <sup>2</sup>  |
| <b>Controls</b>                       |   |
| Type of Control                       | 2.4" TFT-colour display behind-the-door, touch electronic   |
| Interface                             | SmartDeviceBox: optional accessory  |
| Door alarm                            | visual and acoustic   |
| Alarm in case of malfunction          | visual and acoustic   |
| Child proof function                  | yes   |
| <b>Fridge compartment</b>             |   |
| Forced air system                     | PowerCooling with FreshAir activated charcoal filter  |
| <b>Freezer compartment</b>            |   |
| Star coding                           | ****  |
| Interior light                        | LED lighting  |
| Number of drawers                     | 5 drawers, of which 2 set on roller tracks, VarioSpace  |
| IceMaker                              | with fixed 3/4" water connection  |
| Ice cube capacity in 24 hours         | 1.2 kg  |
| Ice cube stock                        | 1.8 kg  |
| Freezing capacity in 24 hours         | 9 kg  |
| Temperature rise time                 | 16 h  |
| Cold storage accumulators             | 2   |
| <b>Features</b>                       |   |
| Side-by-Side concept                  | Side wall heating right, suitable for combination with other refrigerators, freezers and/or wine appliances |
| Door hinges                           | Reversible door hinge, left   |
| EAN-Nr.                               | 4016803050650   |

<sup>1</sup> To achieve the indicated energy consumption level, the wall spacers provided with the appliance must be used. These increase the appliance depth by approximately 1.5 cm. If the wall spacers are not used, the appliance will remain fully functional, but will have a slightly higher energy consumption level.

<sup>2</sup> These models are only bound for storing wine. Maximum DIN norm bordeaux bottles capacity (0.75 l) as per norm NF H 35-124 (H: 300.5 mm, Ø 76.1 mm)

## Features

---



### BluPerformance

Offering even more interior capacity for food storage, economy and energy efficiency, quiet operation, ease-of-use and exceptional design: Liebherr's BluPerformance appliances set both a new direction in refrigeration and freezing, and new benchmarks.



### NoFrost

The NoFrost system from Liebherr provides rapid, fan-assisted, frost-free freezing for the safe, longterm storage of food. The NoFrost technology creates a much larger storage capacity and keeps the freezer constantly frost-free.



### IceMaker with water tank

The IceMaker with water tank is an innovative solution if the piped water is of inadequate quality or is unavailable. The tank is removable for conveniently replenishing the water.



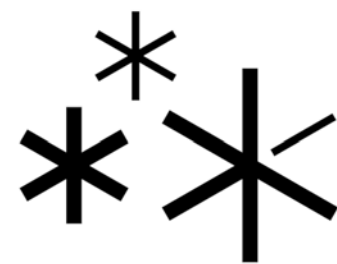
### IceMaker with fixed water connection

The plumbed-in IceMaker automatically keeps you topped up with the finest quality ice cubes so that you are prepared for every occasion.



### VarioSpace

Freezer drawers and toughened glass shelves can be removed. VarioSpace – the practical storage solution for larger items.

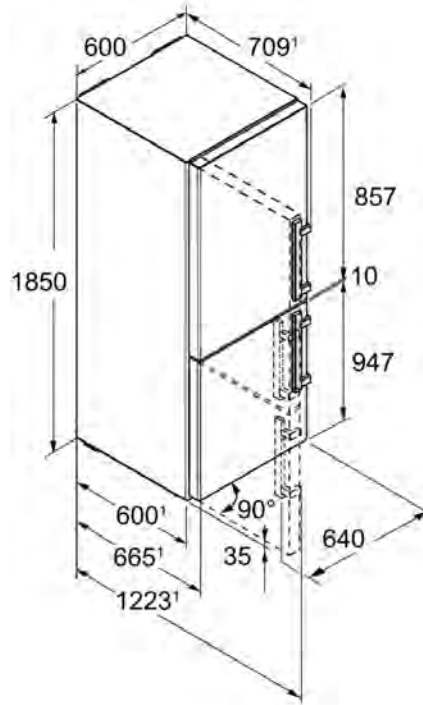


### SuperFrost

SuperFrost generates greater cold reserves so that freshly stored food can be frozen rapidly, in a vitamin-preserving manner. Reversion from the freezing temperature of -32 °C to the normal freezer temperature is time or quantity-controlled to help save energy.

# Technical drawing

---



---

Products and their details are staged for advertising purposes. Whilst every effort is made to ensure all specifications and information in this flyer are accurate, Liebherr reserves the right to make changes without notification. Where actual appliance measurements, specifications, and ratings are crucial, we recommend that the actual appliance installation instructions that accompany each appliance be checked. Liebherr will not be liable for any damage. (01.12.2022)

