



Installation Guide

Quality, Design and Innovation



home.liebherr.com/fridge-manuals





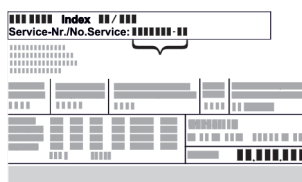


LIEBHERR



General safety instructions

Contents

1	General safety instructions	2
2	Installation conditions	3
2.1	Location.....	3
2.2	Installing multiple appliances.....	3
2.3	Mains connection.....	3
3	Appliance dimensions	4
4	Recess dimensions	4
4.1	Internal dimensions.....	4
5	Ventilation requirements	5
6	Transporting the device	5
7	Unpacking the appliance	5
8	Setting up the appliance	5
8.1	After installation.....	5
9	Disposing of packaging	6
10	What the symbols mean	6
11	**** freezer compartment door*	7
11.1	Moving the door hinge.....	7
12	Changing the door direction	7
13	Installing the appliance in the recess	9
14	Connecting device	13

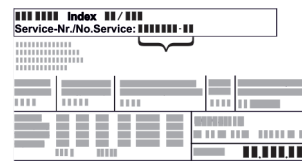
The manufacturer is continually working on the further development of all types and models. Please be aware that we reserve the right to make changes to the shape, equipment and technology.

Symbol	Explanation
	<p>Read instructions</p> <p>Please read the information in these instructions carefully to understand all of the benefits of your new appliance.</p>
	<p>Full instructions on the internet</p> <p>You can find detailed instructions on the internet using the QR code on the front of these instruction or by entering the service number at home.liebherr.com/fridge-manuals.</p> <p>The service number can be found on the serial tag:</p>  <p style="text-align: center;"><i>Fig. Example illustration</i></p>
	<p>Check appliance</p> <p>Check all parts for transport damage. If you have any complaints, please contact your agent or customer service.</p>
	<p>Differences</p> <p>These instructions apply to a range of models, so differences are possible. Sections that apply to certain models only are marked with an asterisk (*).</p>

Symbol	Explanation
	<p>Instructions and results</p> <p>Instructions are marked with a ▶.</p> <p>Results are marked with a ▷.</p>
	<p>Videos</p> <p>Videos about the appliances are available on the YouTube channels of Liebherr-Hausgeräte.</p>




1 General safety instructions

- Please keep this assembly manual in a safe place so you can refer back to it at any time.
- If you pass the appliance on, please hand this assembly manual to the next user.
- Read this assembly manual carefully before installation and use to ensure safe and correct use of the appliance. Follow the instructions, safety instructions and warning messages included at all times. They are important for ensuring you can operate and install the appliance safely and without any problems.
- First read the general safety instructions in the “General safety instructions” section of the **operating instructions**, which accompany these installation instructions, and follow them. If you cannot find the **operating instructions**, you can download the **operating instructions** from the internet by entering the service number at home.liebherr.com/fridge-manuals. The service number can be found on the serial



tag:

- **Observe the warning messages and other detailed information in the other sections when installing the appliance:**

	DANGER	identifies a situation involving direct danger which, if not obviated, may result in death or severe bodily injury.
	WARNING	identifies a dangerous situation which, if not obviated, may result in death or severe bodily injury.
	CAUTION	identifies a dangerous situation which, if not obviated, may result in minor or medium bodily injury.
	NOTICE	identifies a dangerous situation which, if not obviated, may result in damage to property.

Note	identifies useful instructions and tips.
------	--

2 Installation conditions



WARNING

Fire hazard due to dampness!

If live parts or the mains lead become damp this may cause short circuits.

- ▶ The appliance is designed for use in enclosed areas. Do not operate the appliance outdoors or in areas where it is exposed to splash water or damp conditions.

Intended use

- Install and use the appliance in indoor spaces only.
- Use the appliance only once installed.

2.1 Location



WARNING

Leaking coolant and oil!

Fire. The coolant contained in the appliance is eco-friendly, but also flammable. The oil contained in the appliance is flammable. Escaping coolant and oil can ignite if the concentration is high enough and in contact with an external heat source.

- ▶ Do not damage the pipelines of the coolant circuit and the compressor.

- If the appliance is installed in a very humid environment, condensation can build up on the outside of the unit. Always make sure the installation location is well ventilated.
- The more coolant there is in the appliance, the larger the room in which the appliance is installed must be. If the room is too small, any leak may create a flammable mixture of gas and air. For each 8 g of coolant the installation space must be at least 1 m³. Information on the coolant is on the model plate inside the appliance.

2.1.1 Supporting floor

- The floor of the installation site must be horizontal and even.
- If the floor is not entirely even, the kitchen cabinet housing the appliance must be levelled with support blocks.

2.1.2 Positioning

- Do not install the appliance in direct sunlight, next to an oven, radiator or similar.
- Only fit the appliance into solid kitchen units.

2.2 Installing multiple appliances

NOTICE

Risk of damage due to condensate!

- ▶ Do not install the appliance directly alongside a further refrigerator/freezer.

NOTICE

Risk of damage due to condensation!

- ▶ Do not install the appliance directly above another refrigerator or freezer.

These appliances are designed for a variety of installation options. Combine appliances only if the appliance is suitable. The following table shows the installation options by model:

Installation option	Model
Single	All models
Side-by-side (SBS)	Model names starting with S...
Stacked	Models with a maximum recess height of 880 mm and with a heated cover can be "stacked". Top appliance: up to a maximum recess height of 140 mm

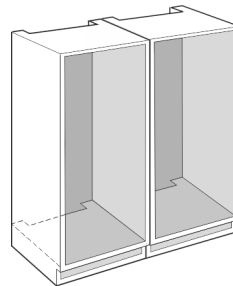


Fig. 1

Build each appliance into a separate recess.

2.3 Mains connection



WARNING

Improper use!

Fire. If a mains cable/plug comes into contact with the back of the appliance, the mains cable/plug can be damaged by appliance vibrations and this may result in a short circuit.

- ▶ Stand the appliance so that it is not touched by connectors or main cables.
- ▶ Do not connect any appliances to sockets in the area of the back of the appliance.
- ▶ Multi-sockets/power distributors and other electronic appliances (such as halogen transformers) may not be placed and operated at the back of appliances.

Appliance dimensions

3 Appliance dimensions

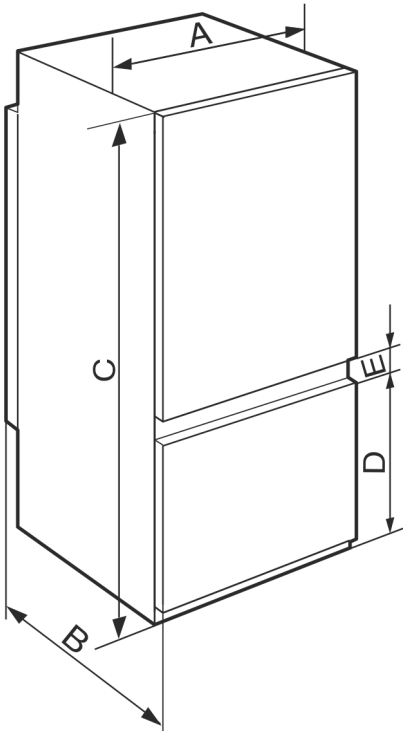


Fig. 2

	A (mm)	B (mm)	C (mm)	D (mm)	E (mm)
ICSe 5122/ ICBSd 51.. ISKG 5Z1/ea3/ec2 / ISKGN 5Z1/fa3/ea3	541	545	1770	523	67
ICSe 5103/ ICNS/e/f 51.. ICBNSe 51..				669	

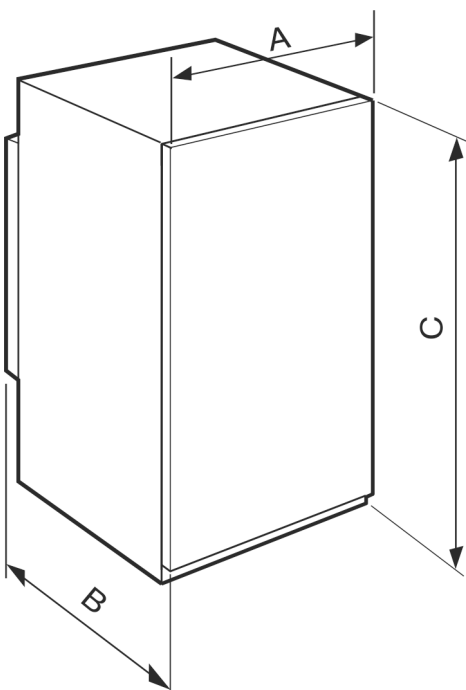


Fig. 3

	A (mm)	B (mm)	C (mm)
IRS/e/f 39../ IFSe 39..	541	545	872
IRSe 41../ IRBSe 41.. ISK 4Z1/ea0/ea1			1213
IRBSe 51../ SIFNsf 51..			1770

4 Recess dimensions

4.1 Internal dimensions

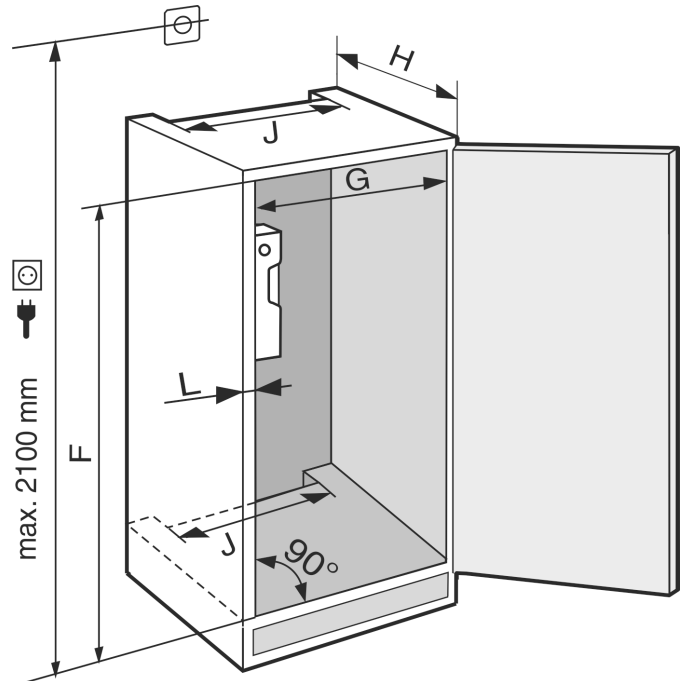


Fig. 4

	F (mm)	G (mm)	H (mm)	J (mm)	L (mm)
IRS/e/f 39../ IFSe 39..	874 – 890				
IRSe 41../ IRBSe 41.. ISK 4Z1/ea0/ea 1	1216 – 1236	560 – 570	min. 550, recom- mended: 560	min. 500	max. 19
IRBSe 51../ SIFNsf 51.. ISKG 5Z1/ea3/ec 2 / ISKGN 5Z1/fa3/ea 3	1772 – 1788				

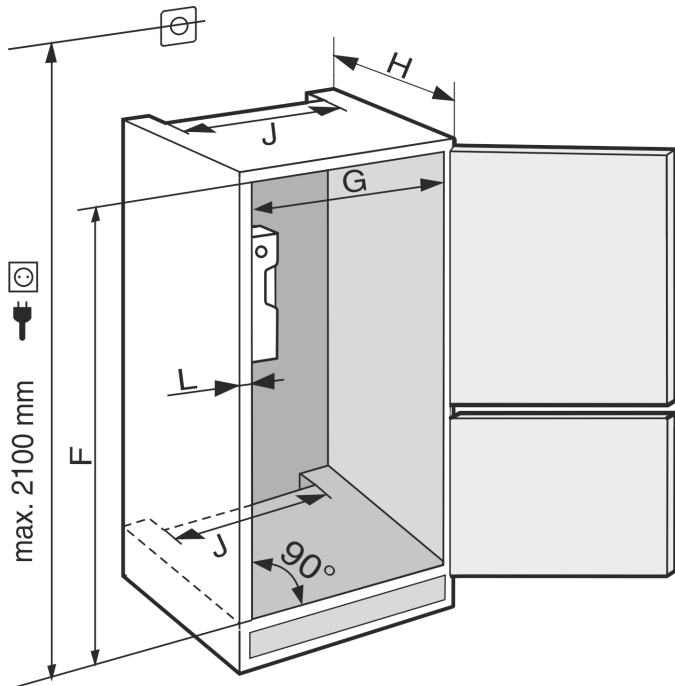


Fig. 5

	F (mm)	G (mm)	H (mm)	J (mm)	L (mm)
IC/N/Se 51../	1772	560	min. 550, recom- mended: 560	min. 500	max. 19
ICB/N/S/e /d 51..	1788	570			

The specified energy consumption was determined with a kitchen unit depth of . 560 mm. The appliance will work properly at a kitchen unit depth of 550 mm, but with a slightly higher energy consumption.

- ▶ Check the wall thickness of adjacent cabinets: It must be min. 16 mm.
- ▶ Only fit the appliance into stable, solid kitchen units. Secure the unit against tipping.
- ▶ Align the cabinets with a spirit level and a try square. If necessary, level them by putting something underneath them.
- ▶ Ensure that the floor and the side panels of the cabinet are at right angles to each other.

5 Ventilation requirements

NOTICE

Covered vents!

Damage. Appliance can overheat, which can reduce the service life of various parts of the appliance and lead to operational impairments.

- ▶ Always make sure there is good ventilation.
- ▶ Always keep vents or ventilation grids in the appliance housing and in the kitchen furniture (fully integrated appliance) unobstructed.
- ▶ Always keep the fan air vents unobstructed.

Always follow the required ventilation gaps:

- The depth of the ventilation shaft at the back of the cabinet must be at least 38 mm.
- At least 200 cm² is required for the ventilation cross-sections below the unit at its base and above the unit in the surrounding cabinet.
- As a rule, the larger the ventilation cross-section, the more efficiently the appliance will run.

Sufficient ventilation is required for the operation of the appliance. The provided ventilation grids ensure an effective ventilation gap on the appliance of 200 cm². If you replace the ventilation grids with a panel this must have the same size or larger ventilation gap than the grid provided by the manufacturer.

6 Transporting the device

- ▶ Transport the appliance in its packaging.
- ▶ Transport the appliance upright.
- ▶ Use two people to transport the appliance.

7 Unpacking the appliance

Note

The bags at the rear of the appliance are important for proper operation. Their contents are nontoxic and nonhazardous.

- ▶ Do not remove the bags!

Before you connect the appliance, report any damage immediately to the delivery company.

- ▶ Check the appliance and the packaging for damage during transport. Contact the supplier immediately if you suspect any level of damage.
- ▶ Remove all materials from the back or the side walls of the appliance that may prevent proper installation or ventilation.
- ▶ Remove all protective films from the appliance. Do not use sharp or pointed objects for this.
- ▶ Take the power cable from the rear of the appliance. Remove the cable brackets when you do this, otherwise there will be noise caused by vibrations!

8 Setting up the appliance



CAUTION

Risk of injury!

- ▶ The appliance must be transported to its place of installation by two people.



WARNING

Unstable appliance!

Risk of injury and damage. The appliance can topple over.

- ▶ Attach the appliance according to the operating instructions.



WARNING

Fire hazard and danger of damage!

- ▶ Do not place appliances emitting heat e.g. microwaves, toasters etc. on the appliance!

If possible, have the appliance installed in the kitchen unit by a professional.

Do not install the appliance on your own.

8.1 After installation

- ▶ Remove all transport safety components.

Disposing of packaging

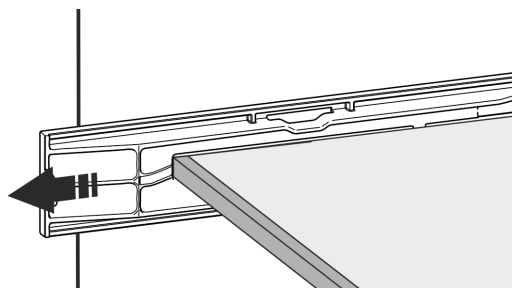


Fig. 6 *

► Clean the appliance (see User Guide, Cleaning the appliance).

9 Disposing of packaging



WARNING

Danger of suffocation due to packing material and plastic film!

► Do not allow children to play with packing material.

The packaging is made of recyclable materials:

- corrugated board/cardboard
- expanded polystyrene parts
- polythene bags and sheets
- polypropylene straps
- nailed wooden frame with polyethylene panel*






► Take the packaging material to an official collecting point.

10 What the symbols mean

	Risk of injury here! Follow the safety notes!
	These instructions apply to a range of models. Follow this step only if it applies to your appliance.
	To install, please follow the detailed description in the Guide.
	This section applies either to a single-door appliance or a double-door appliance.
	Choose one of the options: Appliance with right-hinged door or appliance with left-hinged door.
	Installation step required if your model has IceMaker and/or Infinity-Spring.
	Just loosen the screws or tighten them slightly.

	Tighten the screws.
	Check to see if the next step applies for your model.
	Check the correct assembly/seat of the components used.
	Measure the specified measurement and adjust if necessary.
	Tool for assembly: Metre rule
	Tool for assembly: Cordless screwdriver and attachments
	Tool for assembly: Spirit level
	Tool for assembly: Size 7 and size 10 spanners
	Two people are required for this step.
	Carry out this step at the marked place on the appliance.
	Aids for assembly: String
	Aids for assembly: Square
	Aids for assembly: Screwdriver
	Aids for assembly: Scissors

**** freezer compartment door*

	Aids for assembly: Non-permanent marker pen
	Accessory kit: Remove components
	Dispose of components that are no longer needed.

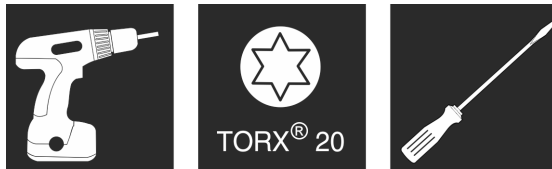


Fig. 9



WARNING

Danger of injury if the door falls out! If the fixing parts are not screwed in sufficiently the door may fall off. This may lead to serious injuries. In addition, the door may not close, thus impairing the cooling performance of the appliance.

- ▶ Firmly screw the bearing blocks at the bottom and top (to 4 Nm).

11 **** freezer compartment door*

It is very easy to reposition the hinge of the **** freezer compartment door if the main door hinge is swapped. If the main door of the appliance can be opened to more than 115° (1), you can open the freezer compartment without repositioning the hinge. If the opening angle (2) of the appliance door is less than this, the hinge must be repositioned.

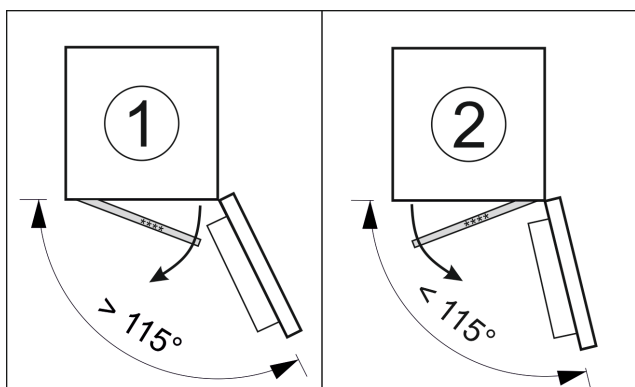


Fig. 7

11.1 Moving the door hinge

The slider for moving the door hinge is located on the back of the **** freezer compartment door at the bottom.

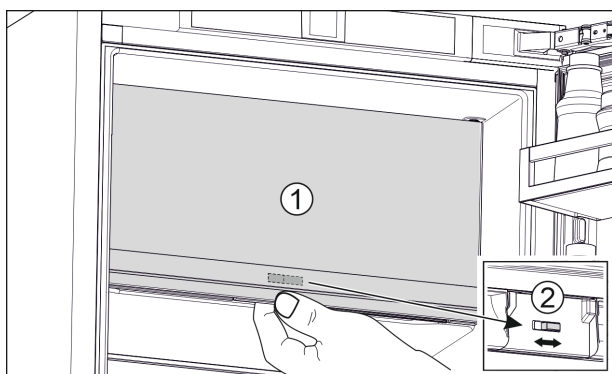


Fig. 8

- ▶ Close the **** freezer compartment door (1).
- ▶ Grab the **** freezer compartment door from below.
- ▶ Move the slider (2) either to the right or to the left.

12 Changing the door direction

Tool

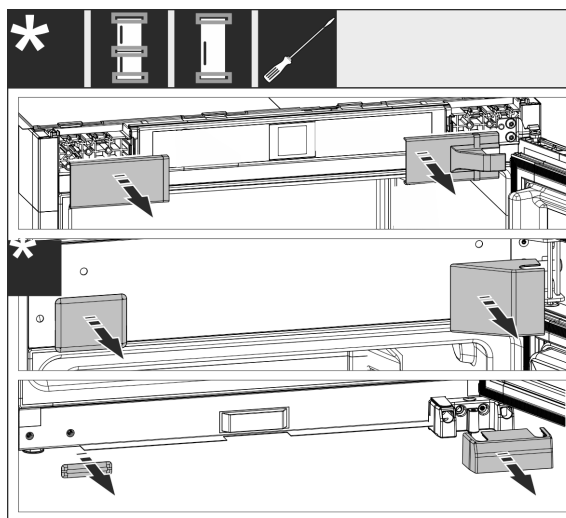


Fig. 10

- ▶ Remove any mounted covers, if necessary, use a slotted screwdriver to lift them off.

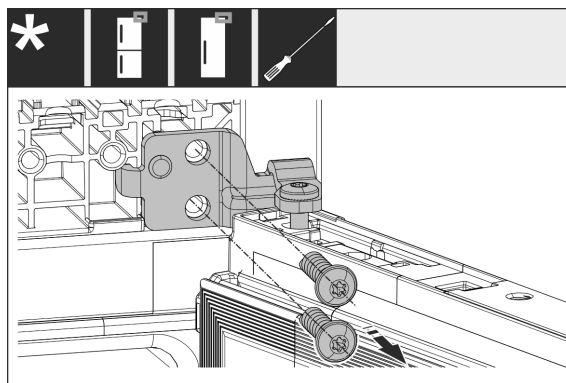


Fig. 11

- ▶ Loosen the screws on the bearing block. Secure the door against falling out.

Changing the door direction

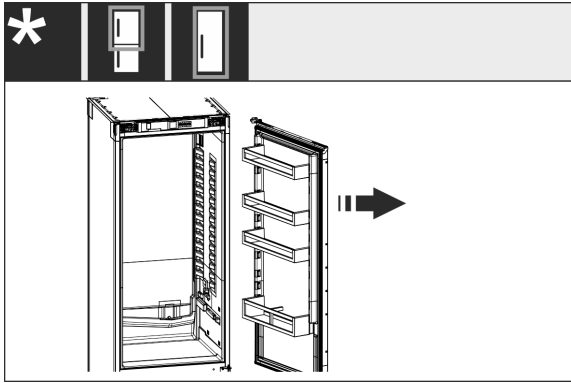


Fig. 12

- ▶ Remove the door together with the still screwed-on bearing bracket.

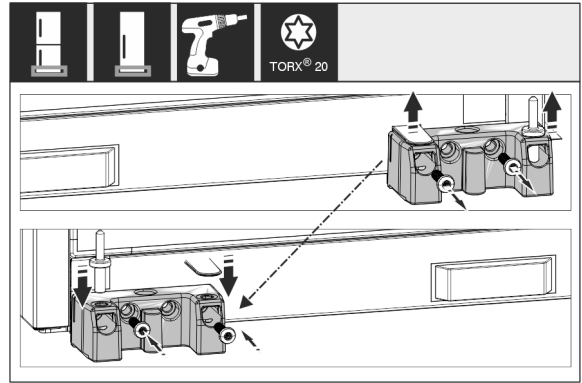


Fig. 16

- ▶ Shift the bottom bearing block and screw it tightly.

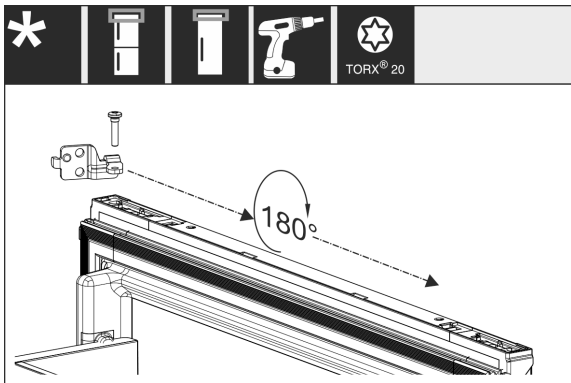


Fig. 13

- ▶ Turn and shift the bearing block by 180°.

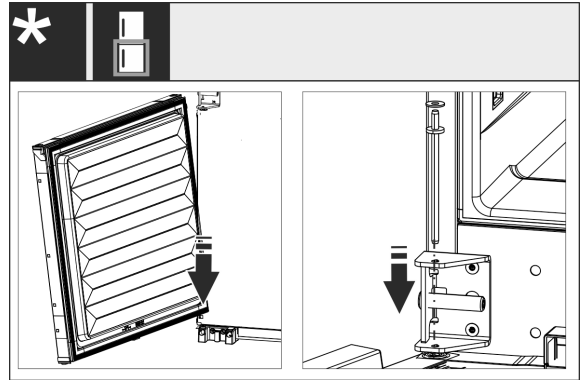


Fig. 17

- ▶ For combined units: Mount the lower door: Place on the hinge bolt at the bottom and rotate into place at the top. Insert the middle bearing bolt into the door from above through the middle bearing block.

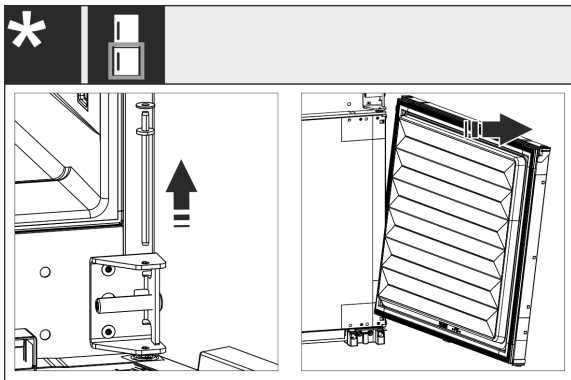


Fig. 14

- ▶ Remove the lower door: Pull out the middle bearing bolt with the disc. Secure the door against tipping out. Lift the door up.

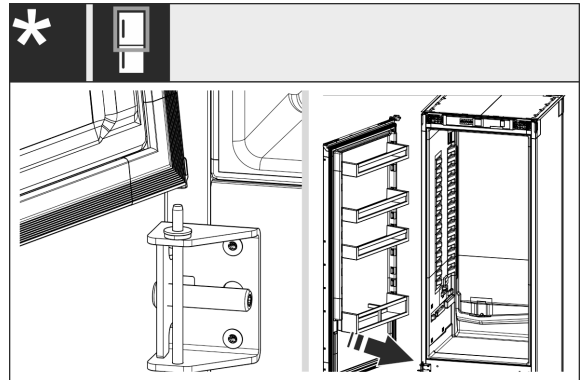


Fig. 18

- ▶ For combined units: Mounting the top door: Place at the bottom of the middle bearing bolt.
- ▶ For one-door appliances: Mounting the door: Place on the bearing bolts at the bottom.

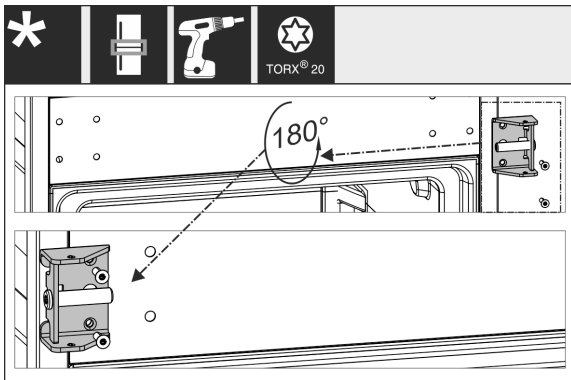


Fig. 15

- ▶ Shift the middle bearing block and screw it tightly.

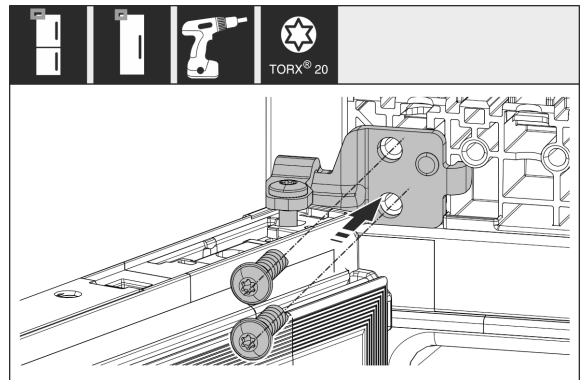


Fig. 19

Installing the appliance in the recess

- ▶ Screw the top bearing block to the housing.

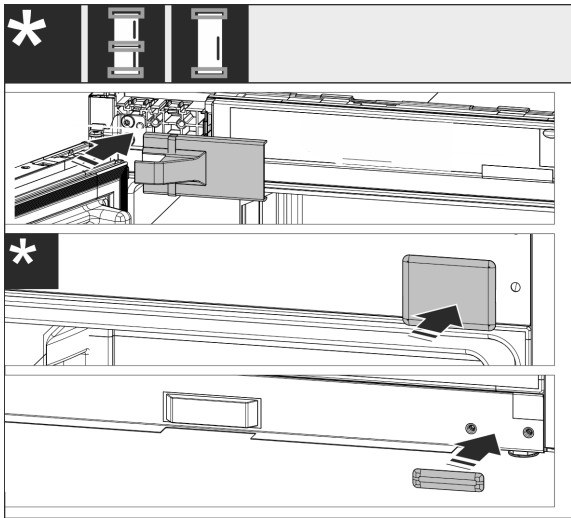


Fig. 20

- ▶ Refit the covers on the handle side. Reinstall the covers on the hinge side only once the appliance is installed in the cabinet.
- ▶ Check all screws and retighten if necessary.

13 Installing the appliance in the recess

Tools and materials



Supplied assembly parts

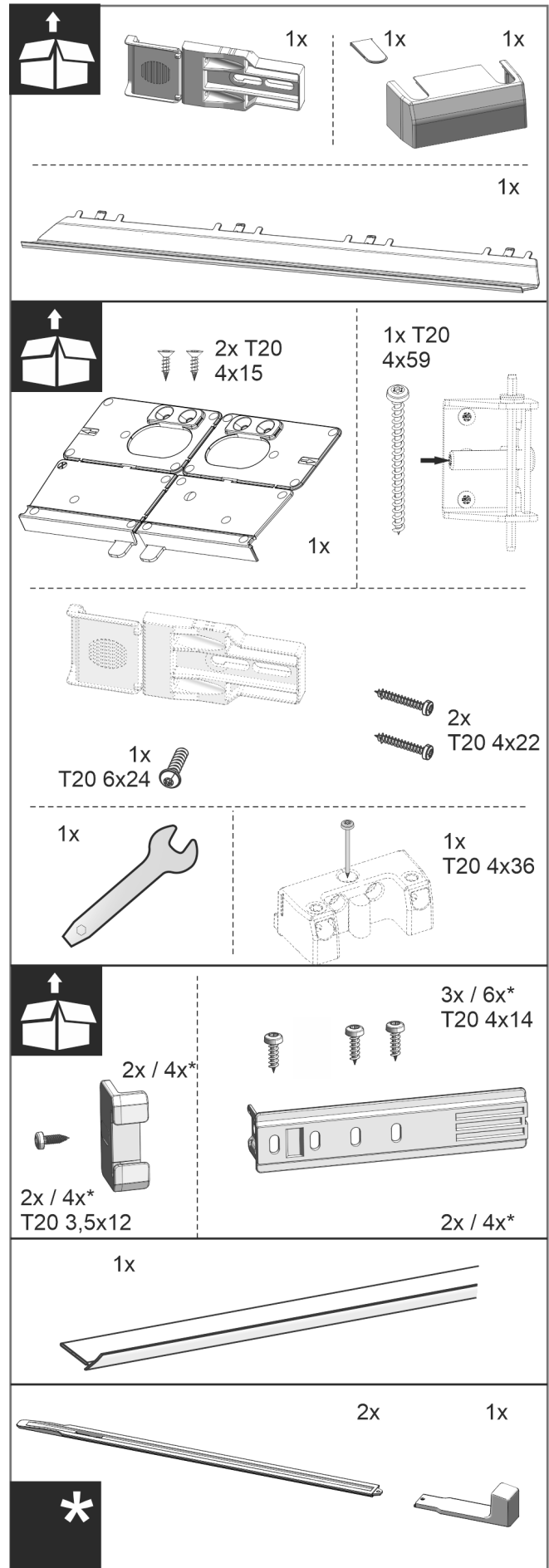


Fig. 21

Fig. 22

Installing the appliance in the recess

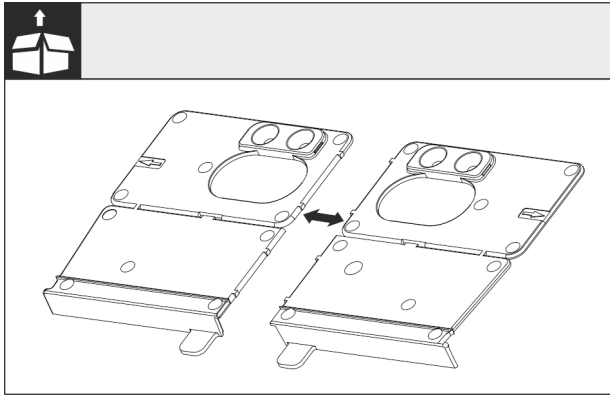


Fig. 23 Floor mounting bracket

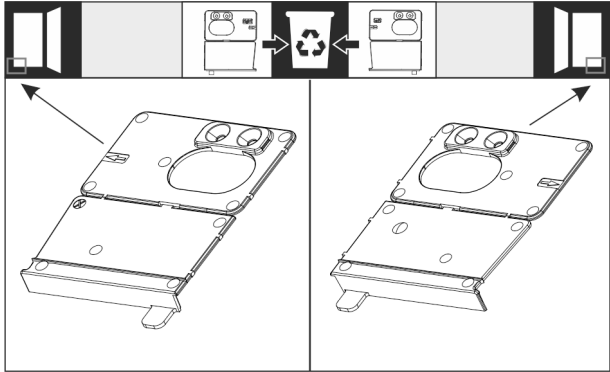


Fig. 24

- ▶ Separate the mounting bracket at the perforation. Dispose of either the right or left mounting bracket, depending on which way the door opens.

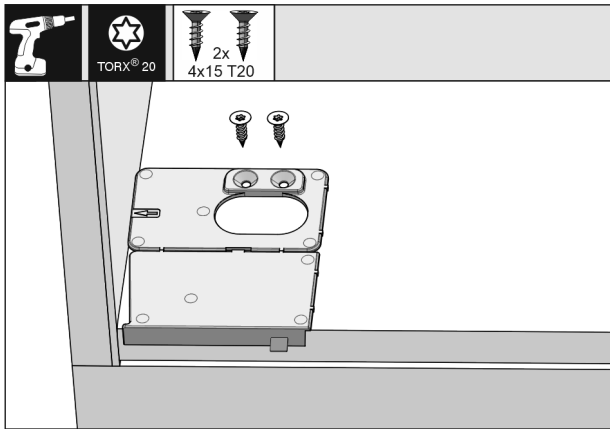


Fig. 25

NOTICE

Correct installation depth of the appliance

- ▶ Using the mounting bracket ensures the correct installation depth of the appliance.
- ▶ Screw the mounting bracket base on the right or left, flush to the side wall on the base of the cabinet recess, depending on which way the door opens. The mounting bracket is always mounted on the handle side.

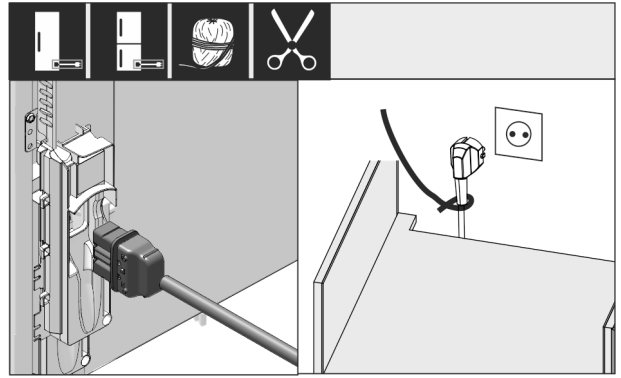


Fig. 26

- ▶ Remove the power cable from the package and plug it into the back of the appliance. Use a cable lug to lay the power plug cord to the accessible socket.

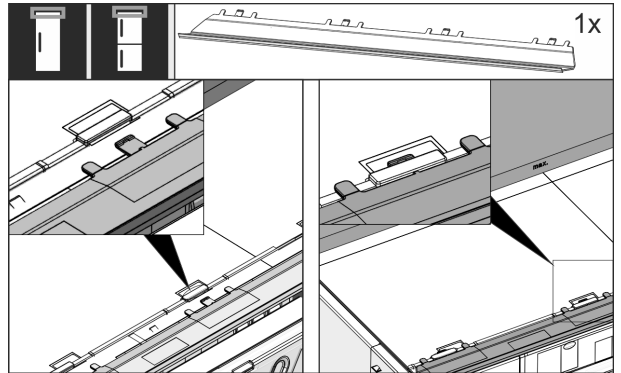


Fig. 27

- ▶ Insert the levelling panel. The panel can be moved to both sides.

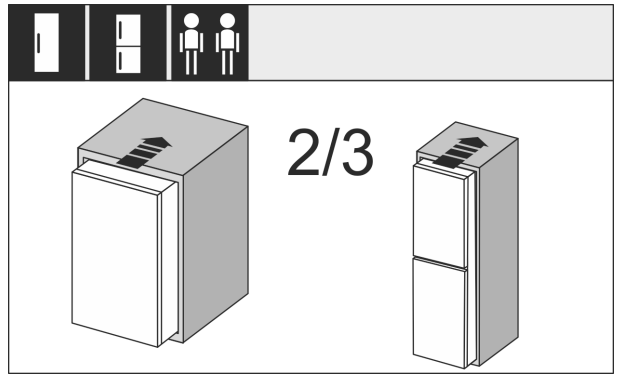


Fig. 28

- ▶ Insert the appliance 2/3 of the way into the recess.

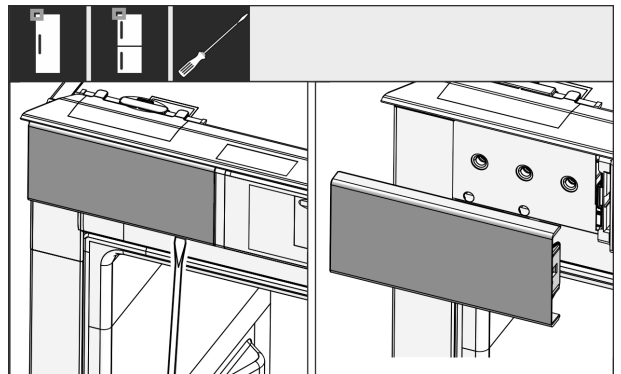


Fig. 29

- ▶ Use a screwdriver to loosen the cover at the top left and then remove it.
- ▶ If already mounted, remove the other covers.

Installing the appliance in the recess

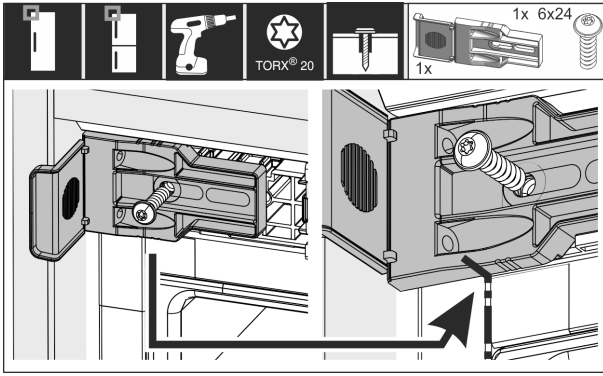


Fig. 30

- ▶ Tighten the mounting bracket. The bracket should no longer move. The marking of the mounting bracket is ideally located on the joint of the housing.

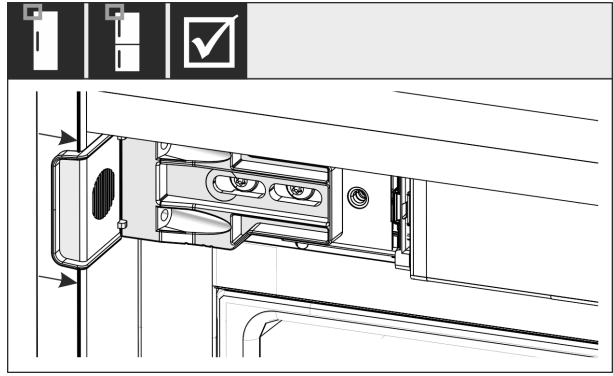


Fig. 34

- ▶ Check that the appliance is flush against the cabinet recess. The mounting bracket must be attached to the side wall of the cabinet recess.

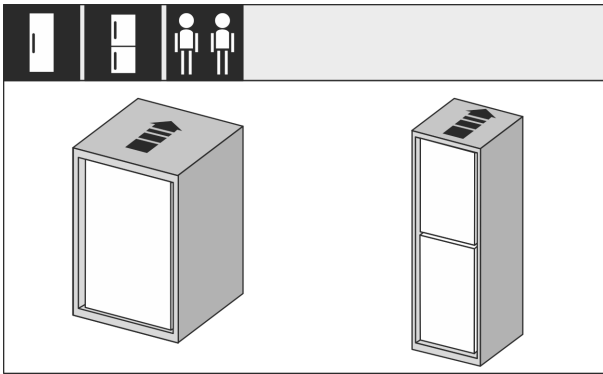


Fig. 31

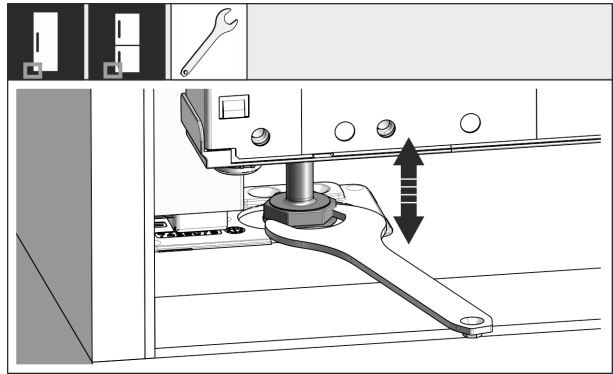


Fig. 35

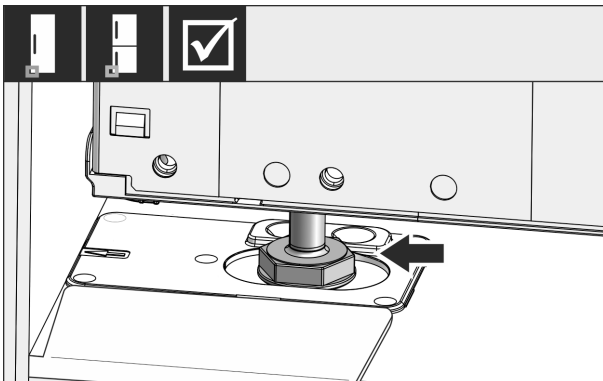


Fig. 32

- ▶ Insert the appliance all the way into the unit recess. The adjustable foot must sit in the recess of the mounting bracket.

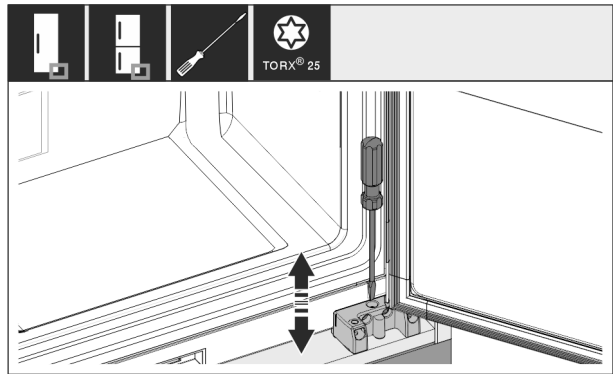


Fig. 36

- ▶ If necessary, use the adjustable feet to correct the tilt of the appliance.

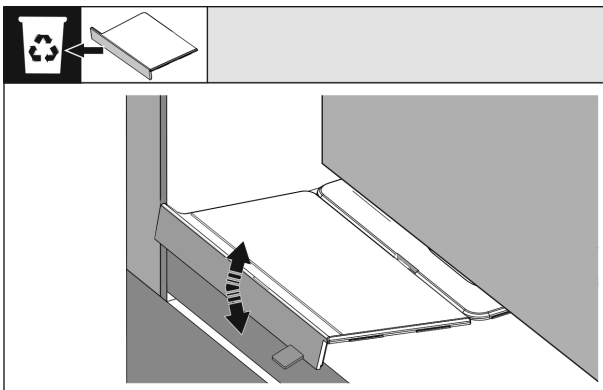


Fig. 33

- ▶ Remove the front floor mounting bracket stop. Loosen the stopper by moving it and, if necessary, pull it off using pliers.

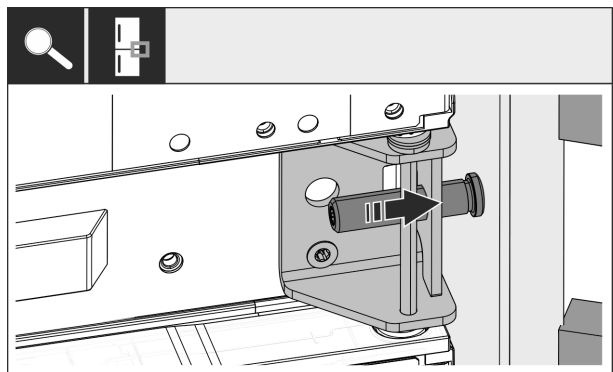


Fig. 37

- ▶ For combinations: Secure the appliance into the cabinet recess on the hinge side using the middle bearing block. Make sure that the cabinet wall is not damaged by the adjusting screw.

Installing the appliance in the recess

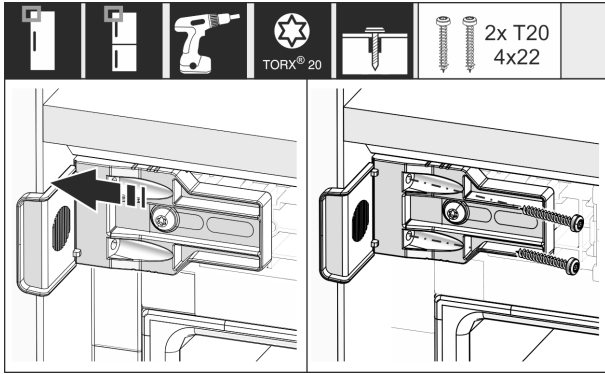


Fig. 38

- Screw the bracket to the side wall of the cabinet recess.

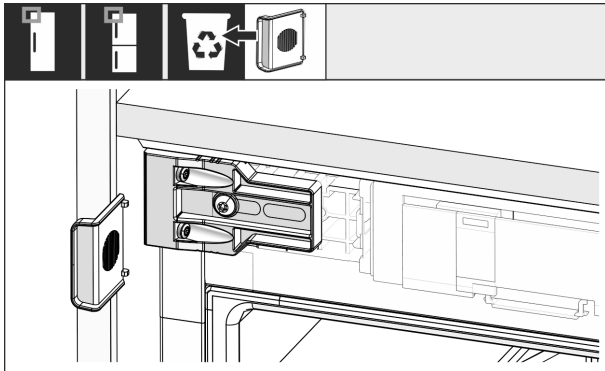


Fig. 39

- Remove the stop from the bracket on the handle side and dispose of it.

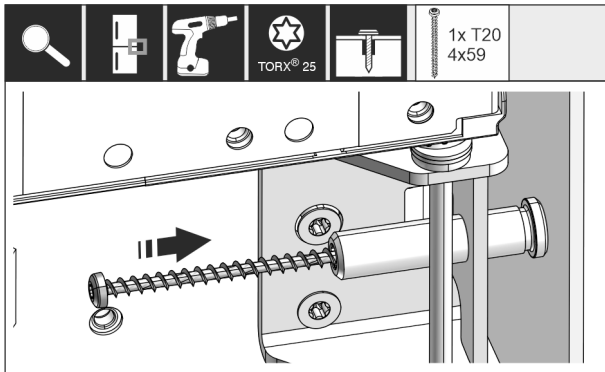


Fig. 40

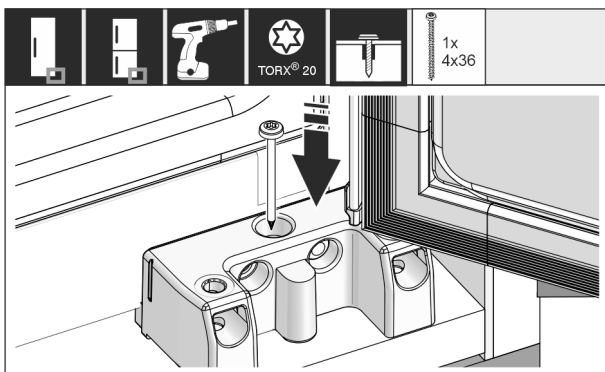


Fig. 41

- Screw the appliance into the recess on the hinge side using the middle and bottom bearing brackets.

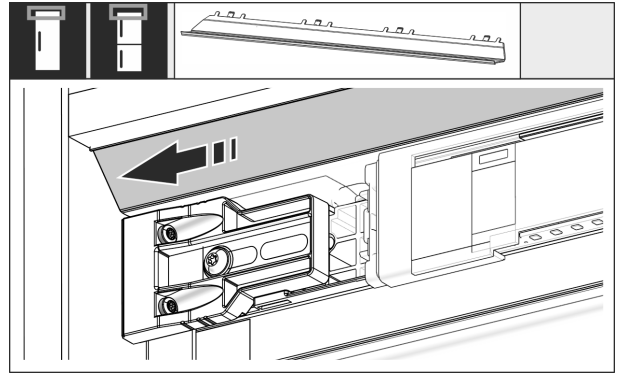


Fig. 42

- Slide the panel so that it sits flush on the side of the cabinet wall.

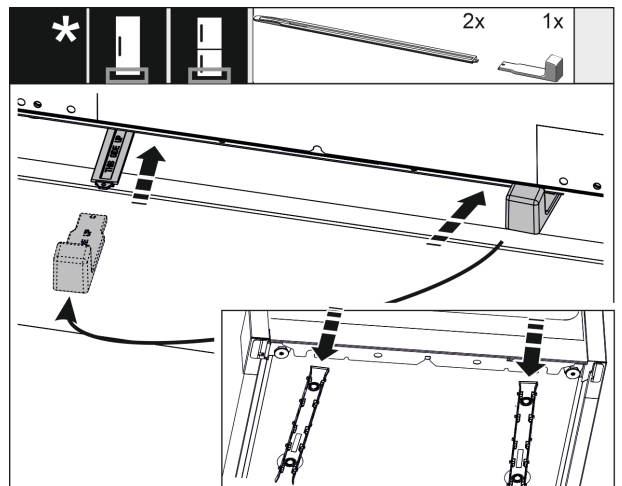


Fig. 43

The height adjustment is only supplied as standard for recess heights of 140 cm and above, and must be used for sound optimisation.

- To stabilise the appliance at the back underneath: Fit the handle onto the rail of the height adjustment and push the rail into the appliance base. Remove the handle and do the same with the second rail.

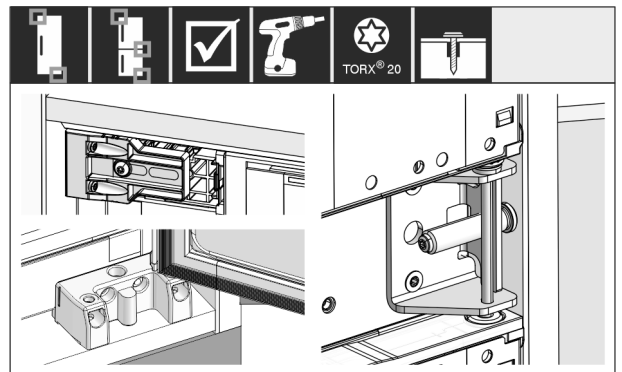


Fig. 44

- Check all screws and retighten them.

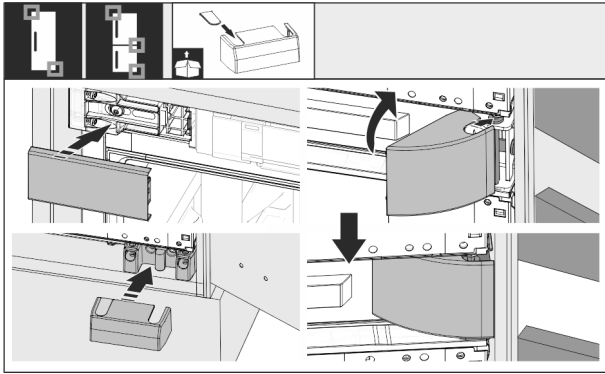


Fig. 45

- ▶ Put all the covers on.

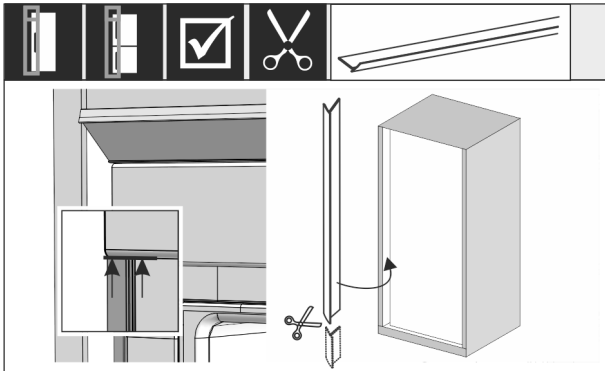


Fig. 46

- ▶ The tread is magnetic. Place the tread below the cover profile and press it in. If necessary, shorten the tread to the required length with a sharp pair of scissors.

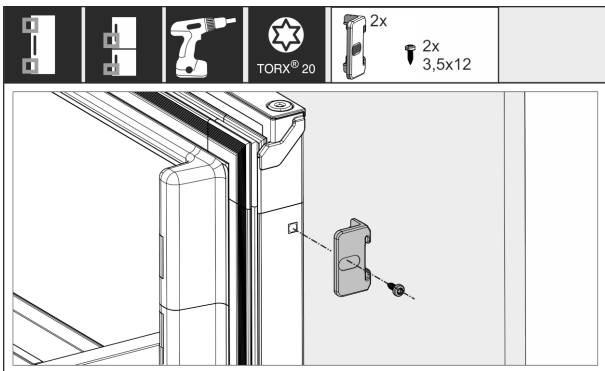


Fig. 47

Attaching custom panel to the appliance door:

- ▶ Open the door fully.
- ▶ Mount bracket onto the appliance door.

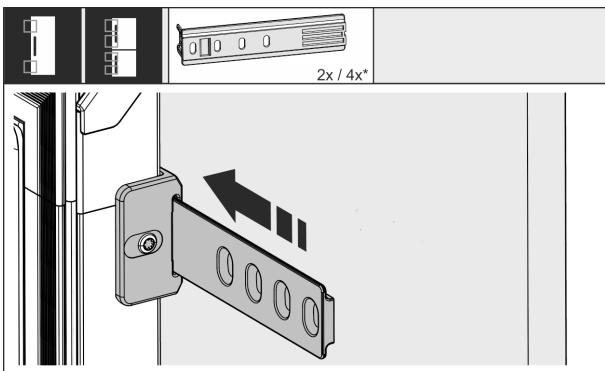


Fig. 48

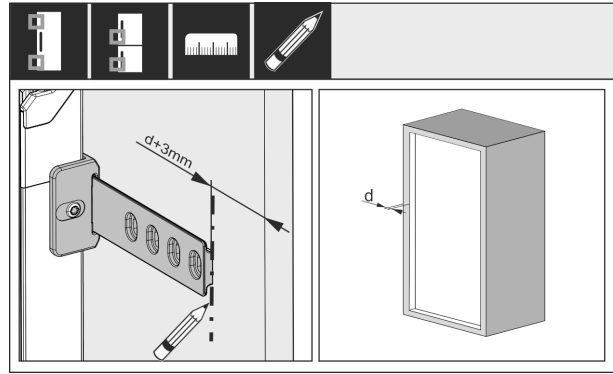


Fig. 49

The gap between the end of the rail and the outer edge of the custom panel should be + 3 mm depending on the thickness of the unit side wall.

- ▶ Mark using a non-waterproof pen.

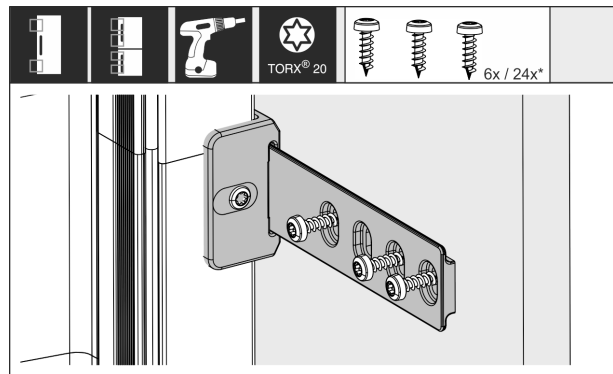


Fig. 50

- ▶ Push the rails into the bracket and screw to the cabinet door.

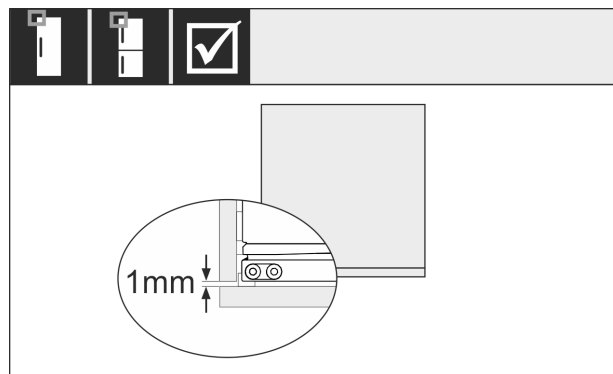


Fig. 51

- ▶ Check that the seal runs all the way around the appliance door.
- ▶ Make sure the custom panel does not open onto the side wall of the unit recess. Liebherr recommends a minimum gap of 1 mm.

14 Connecting device



WARNING

Failure to connect properly
Fire hazard.

- ▶ Do not use an extension cable.
- ▶ Do not use distributor blocks.

Connecting device

NOTICE

Failure to connect properly
Damage to the electronics.

- ▶ Do not connect the appliance to a stand-alone inverter, e.g. solar power systems and petrol generators.
 - ▶ Do not use an energy saving plug.
-

Note

Only use the supplied mains cable.

- ▶ A longer mains cable can be ordered from Customer Service.
-

Ensure that the following conditions are met:

- The type of current and voltage at the installation site match the information on the serial tag .
- The socket is earthed according to the regulations and fused.
- The fuse tripping current is between 10 and 16 A.
- The socket is easily accessible.
- ▶ Check the electrical connection.
- ▶ Connect the mains plug to the power supply.
- ▷ The Liebherr logo appears on the screen.
- ▷ V-ZUG logo appears on the screen.
- ▷ The display switches to the standby symbol.



home.liebherr.com/fridge-manuals

EN built-in fridge/freezer, sliding door

Issue date: 20220922

Part number index: 7088229-00

Liebherr-Hausgeräte Ochsenhausen GmbH
Memminger Straße 77-79
88416 Ochsenhausen
Deutschland



Installation Guide

Quality, Design and Innovation



home.liebherr.com/fridge-manuals





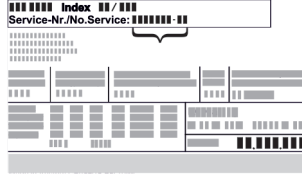


LIEBHERR



General safety instructions

Contents

1	General safety instructions.....	2
2	Installation conditions.....	3
2.1	Location.....	3
2.2	Installing multiple appliances.....	3
2.3	Mains connection.....	3
3	Appliance dimensions.....	4
4	Recess dimensions.....	4
4.1	Internal dimensions.....	4
5	Ventilation requirements.....	5
6	Transporting the device.....	5
7	Unpacking the appliance.....	5
8	Setting up the appliance.....	5
8.1	After installation.....	5
9	Disposing of packaging.....	6
10	What the symbols mean.....	6
11	**** freezer compartment door*.....	7
11.1	Moving the door hinge.....	7
12	Changing the door direction.....	7
13	Installing the appliance in the recess.....	9
14	Connecting device.....	13

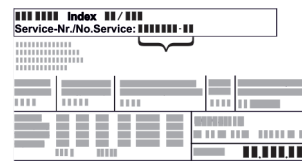
The manufacturer is continually working on the further development of all types and models. Please be aware that we reserve the right to make changes to the shape, equipment and technology.

Symbol	Explanation
	<p>Read instructions</p> <p>Please read the information in these instructions carefully to understand all of the benefits of your new appliance.</p>
	<p>Full instructions on the internet</p> <p>You can find detailed instructions on the internet using the QR code on the front of these instruction or by entering the service number at home.liebherr.com/fridge-manuals.</p> <p>The service number can be found on the serial tag:</p>  <p style="text-align: center;"><i>Fig. Example illustration</i></p>
	<p>Check appliance</p> <p>Check all parts for transport damage. If you have any complaints, please contact your agent or customer service.</p>
	<p>Differences</p> <p>These instructions apply to a range of models, so differences are possible. Sections that apply to certain models only are marked with an asterisk (*).</p>

Symbol	Explanation
	<p>Instructions and results</p> <p>Instructions are marked with a ▶.</p> <p>Results are marked with a ▷.</p>
	<p>Videos</p> <p>Videos about the appliances are available on the YouTube channels of Liebherr-Hausgeräte.</p>




1 General safety instructions

- Please keep this assembly manual in a safe place so you can refer back to it at any time.
- If you pass the appliance on, please hand this assembly manual to the next user.
- Read this assembly manual carefully before installation and use to ensure safe and correct use of the appliance. Follow the instructions, safety instructions and warning messages included at all times. They are important for ensuring you can operate and install the appliance safely and without any problems.
- First read the general safety instructions in the “General safety instructions” section of the **operating instructions**, which accompany these installation instructions, and follow them. If you cannot find the **operating instructions**, you can download the **operating instructions** from the internet by entering the service number at home.liebherr.com/fridge-manuals. The service number can be found on the serial



tag:

- **Observe the warning messages and other detailed information in the other sections when installing the appliance:**

	DANGER	identifies a situation involving direct danger which, if not obviated, may result in death or severe bodily injury.
	WARNING	identifies a dangerous situation which, if not obviated, may result in death or severe bodily injury.
	CAUTION	identifies a dangerous situation which, if not obviated, may result in minor or medium bodily injury.
	NOTICE	identifies a dangerous situation which, if not obviated, may result in damage to property.

Note	identifies useful instructions and tips.
------	--

2 Installation conditions



WARNING

Fire hazard due to dampness!

If live parts or the mains lead become damp this may cause short circuits.

- ▶ The appliance is designed for use in enclosed areas. Do not operate the appliance outdoors or in areas where it is exposed to splash water or damp conditions.

Intended use

- Install and use the appliance in indoor spaces only.
- Use the appliance only once installed.

2.1 Location



WARNING

Leaking coolant and oil!

Fire. The coolant contained in the appliance is eco-friendly, but also flammable. The oil contained in the appliance is flammable. Escaping coolant and oil can ignite if the concentration is high enough and in contact with an external heat source.

- ▶ Do not damage the pipelines of the coolant circuit and the compressor.

- If the appliance is installed in a very humid environment, condensation can build up on the outside of the unit. Always make sure the installation location is well ventilated.
- The more coolant there is in the appliance, the larger the room in which the appliance is installed must be. If the room is too small, any leak may create a flammable mixture of gas and air. For each 8 g of coolant the installation space must be at least 1 m³. Information on the coolant is on the model plate inside the appliance.

2.1.1 Supporting floor

- The floor of the installation site must be horizontal and even.
- If the floor is not entirely even, the kitchen cabinet housing the appliance must be levelled with support blocks.

2.1.2 Positioning

- Do not install the appliance in direct sunlight, next to an oven, radiator or similar.
- Only fit the appliance into solid kitchen units.

2.2 Installing multiple appliances

NOTICE

Risk of damage due to condensate!

- ▶ Do not install the appliance directly alongside a further refrigerator/freezer.

NOTICE

Risk of damage due to condensation!

- ▶ Do not install the appliance directly above another refrigerator or freezer.

These appliances are designed for a variety of installation options. Combine appliances only if the appliance is suitable. The following table shows the installation options by model:

Installation option	Model
Single	All models
Side-by-side (SBS)	Model names starting with S...
Stacked	Models with a maximum recess height of 880 mm and with a heated cover can be "stacked". Top appliance: up to a maximum recess height of 140 mm

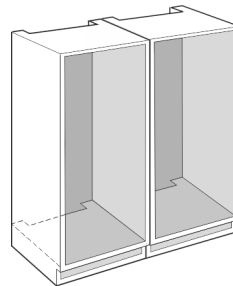


Fig. 1

Build each appliance into a separate recess.

2.3 Mains connection



WARNING

Improper use!

Fire. If a mains cable/plug comes into contact with the back of the appliance, the mains cable/plug can be damaged by appliance vibrations and this may result in a short circuit.

- ▶ Stand the appliance so that it is not touched by connectors or main cables.
- ▶ Do not connect any appliances to sockets in the area of the back of the appliance.
- ▶ Multi-sockets/power distributors and other electronic appliances (such as halogen transformers) may not be placed and operated at the back of appliances.

Appliance dimensions

3 Appliance dimensions

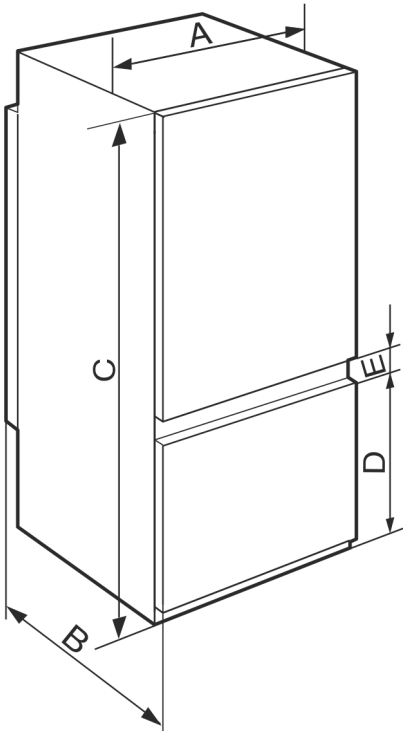


Fig. 2

	A (mm)	B (mm)	C (mm)	D (mm)	E (mm)
ICSe 5122/ ICBSd 51.. ISKG 5Z1/ea3/ec2 / ISKGN 5Z1/fa3/ea3	541	545	1770	523	67
ICSe 5103/ ICNS/e/f 51.. ICBNSe 51..				669	

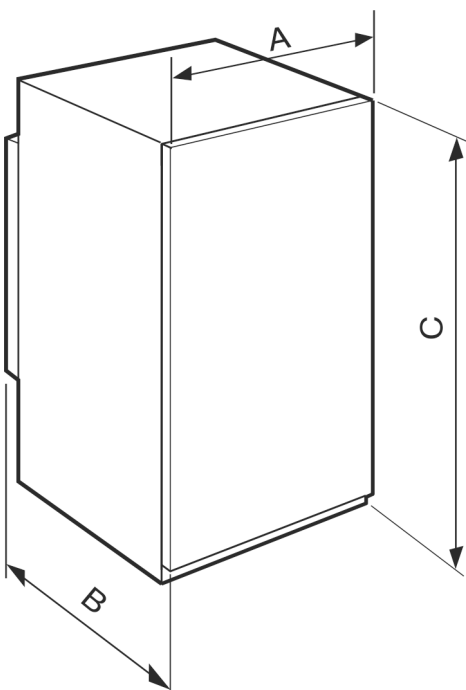


Fig. 3

	A (mm)	B (mm)	C (mm)
IRS/e/f 39../ IFSe 39..	541	545	872
IRSe 41../ IRBSe 41.. ISK 4Z1/ea0/ea1			1213
IRBSe 51../ SIFNsf 51..			1770

4 Recess dimensions

4.1 Internal dimensions

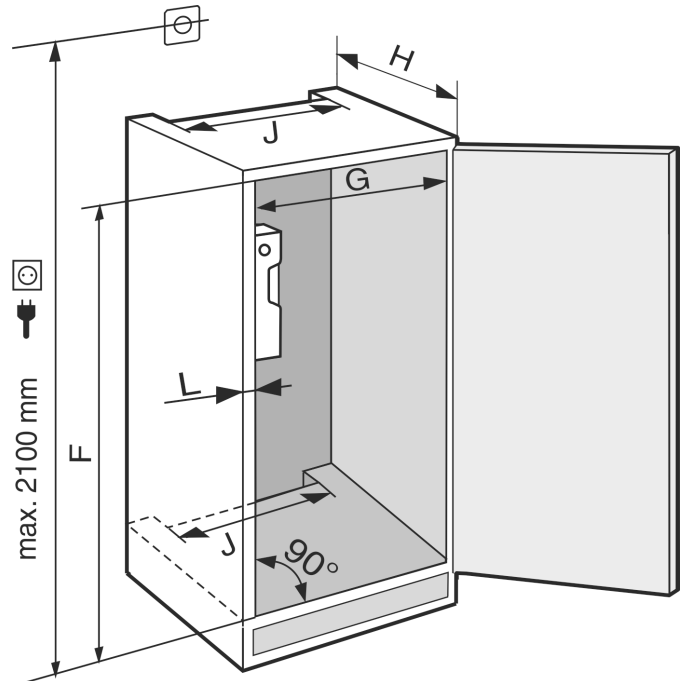


Fig. 4

	F (mm)	G (mm)	H (mm)	J (mm)	L (mm)
IRS/e/f 39../ IFSe 39..	874 – 890				
IRSe 41../ IRBSe 41.. ISK 4Z1/ea0/ea 1	1216 – 1236	560 – 570	min. 550, recom- mended: 560	min. 500	max. 19
IRBSe 51../ SIFNsf 51.. ISKG 5Z1/ea3/ec 2 / ISKGN 5Z1/fa3/ea 3	1772 – 1788				

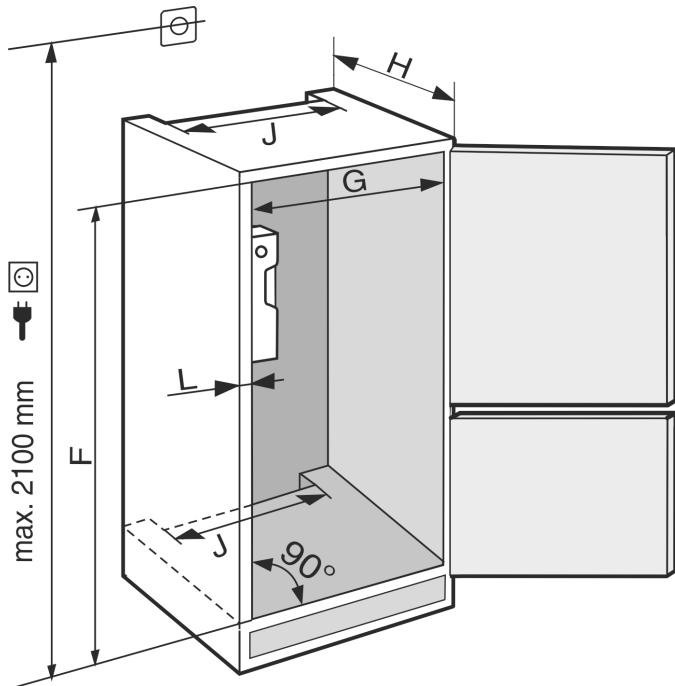


Fig. 5

	F (mm)	G (mm)	H (mm)	J (mm)	L (mm)
IC/N/Se 51../	1772	560	min. 550, recom- mended: 560	min. 500	max. 19
ICB/N/S/e /d 51..	1788	570			

The specified energy consumption was determined with a kitchen unit depth of . 560 mm. The appliance will work properly at a kitchen unit depth of 550 mm, but with a slightly higher energy consumption.

- ▶ Check the wall thickness of adjacent cabinets: It must be min. 16 mm.
- ▶ Only fit the appliance into stable, solid kitchen units. Secure the unit against tipping.
- ▶ Align the cabinets with a spirit level and a try square. If necessary, level them by putting something underneath them.
- ▶ Ensure that the floor and the side panels of the cabinet are at right angles to each other.

5 Ventilation requirements

NOTICE

Covered vents!

Damage. Appliance can overheat, which can reduce the service life of various parts of the appliance and lead to operational impairments.

- ▶ Always make sure there is good ventilation.
- ▶ Always keep vents or ventilation grids in the appliance housing and in the kitchen furniture (fully integrated appliance) unobstructed.
- ▶ Always keep the fan air vents unobstructed.

Always follow the required ventilation gaps:

- The depth of the ventilation shaft at the back of the cabinet must be at least 38 mm.
- At least 200 cm² is required for the ventilation cross-sections below the unit at its base and above the unit in the surrounding cabinet.
- As a rule, the larger the ventilation cross-section, the more efficiently the appliance will run.

Sufficient ventilation is required for the operation of the appliance. The provided ventilation grids ensure an effective ventilation gap on the appliance of 200 cm². If you replace the ventilation grids with a panel this must have the same size or larger ventilation gap than the grid provided by the manufacturer.

6 Transporting the device

- ▶ Transport the appliance in its packaging.
- ▶ Transport the appliance upright.
- ▶ Use two people to transport the appliance.

7 Unpacking the appliance

Note

The bags at the rear of the appliance are important for proper operation. Their contents are nontoxic and nonhazardous.

- ▶ Do not remove the bags!

Before you connect the appliance, report any damage immediately to the delivery company.

- ▶ Check the appliance and the packaging for damage during transport. Contact the supplier immediately if you suspect any level of damage.
- ▶ Remove all materials from the back or the side walls of the appliance that may prevent proper installation or ventilation.
- ▶ Remove all protective films from the appliance. Do not use sharp or pointed objects for this.
- ▶ Take the power cable from the rear of the appliance. Remove the cable brackets when you do this, otherwise there will be noise caused by vibrations!

8 Setting up the appliance



CAUTION

Risk of injury!

- ▶ The appliance must be transported to its place of installation by two people.



WARNING

Unstable appliance!

Risk of injury and damage. The appliance can topple over.

- ▶ Attach the appliance according to the operating instructions.



WARNING

Fire hazard and danger of damage!

- ▶ Do not place appliances emitting heat e.g. microwaves, toasters etc. on the appliance!

If possible, have the appliance installed in the kitchen unit by a professional.

Do not install the appliance on your own.

8.1 After installation

- ▶ Remove all transport safety components.

Disposing of packaging

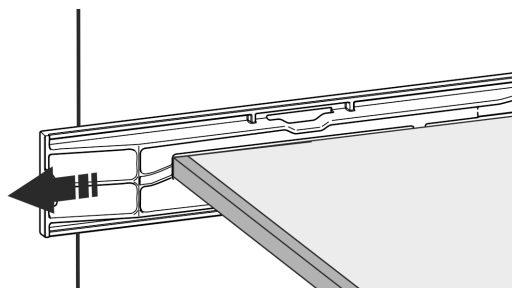


Fig. 6 *

► Clean the appliance (see User Guide, Cleaning the appliance).

9 Disposing of packaging



WARNING

Danger of suffocation due to packing material and plastic film!

► Do not allow children to play with packing material.

The packaging is made of recyclable materials:

- corrugated board/cardboard
- expanded polystyrene parts
- polythene bags and sheets
- polypropylene straps
- nailed wooden frame with polyethylene panel*






► Take the packaging material to an official collecting point.

10 What the symbols mean

	Risk of injury here! Follow the safety notes!
	These instructions apply to a range of models. Follow this step only if it applies to your appliance.
	To install, please follow the detailed description in the Guide.
	This section applies either to a single-door appliance or a double-door appliance.
	Choose one of the options: Appliance with right-hinged door or appliance with left-hinged door.
	Installation step required if your model has IceMaker and/or Infinity-Spring.
	Just loosen the screws or tighten them slightly.

	Tighten the screws.
	Check to see if the next step applies for your model.
	Check the correct assembly/seat of the components used.
	Measure the specified measurement and adjust if necessary.
	Tool for assembly: Metre rule
	Tool for assembly: Cordless screwdriver and attachments
	Tool for assembly: Spirit level
	Tool for assembly: Size 7 and size 10 spanners
	Two people are required for this step.
	Carry out this step at the marked place on the appliance.
	Aids for assembly: String
	Aids for assembly: Square
	Aids for assembly: Screwdriver
	Aids for assembly: Scissors

**** freezer compartment door*

	Aids for assembly: Non-permanent marker pen
	Accessory kit: Remove components
	Dispose of components that are no longer needed.

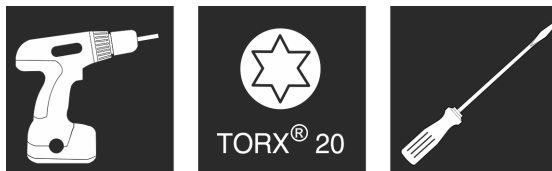


Fig. 9



WARNING

Danger of injury if the door falls out! If the fixing parts are not screwed in sufficiently the door may fall off. This may lead to serious injuries. In addition, the door may not close, thus impairing the cooling performance of the appliance.

- ▶ Firmly screw the bearing blocks at the bottom and top (to 4 Nm).

11 **** freezer compartment door*

It is very easy to reposition the hinge of the **** freezer compartment door if the main door hinge is swapped. If the main door of the appliance can be opened to more than 115° (1), you can open the freezer compartment without repositioning the hinge. If the opening angle (2) of the appliance door is less than this, the hinge must be repositioned.

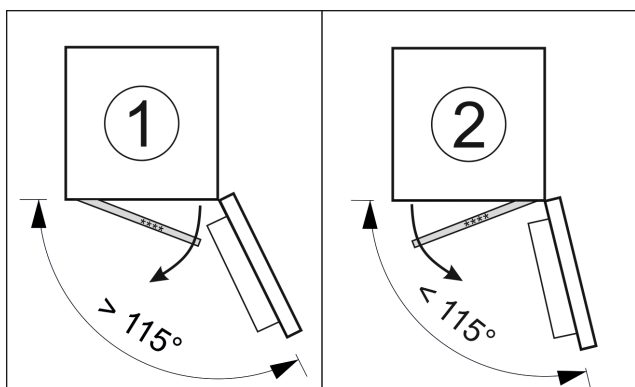


Fig. 7

11.1 Moving the door hinge

The slider for moving the door hinge is located on the back of the **** freezer compartment door at the bottom.

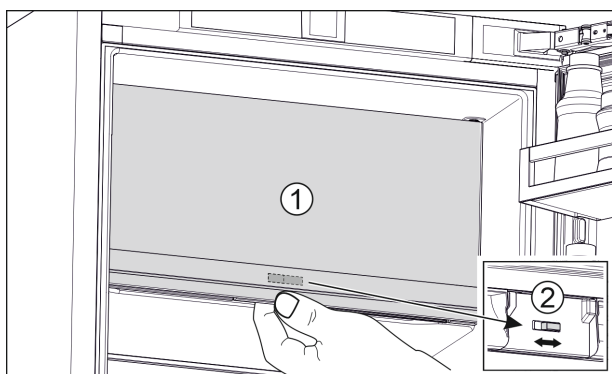


Fig. 8

- ▶ Close the **** freezer compartment door (1).
- ▶ Grab the **** freezer compartment door from below.
- ▶ Move the slider (2) either to the right or to the left.

12 Changing the door direction

Tool

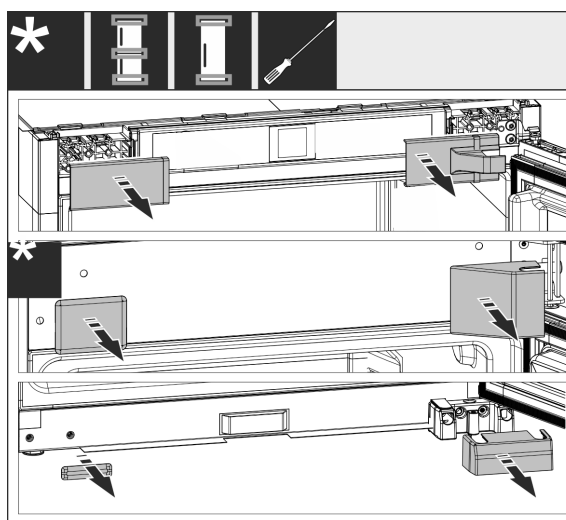


Fig. 10

- ▶ Remove any mounted covers, if necessary, use a slotted screwdriver to lift them off.

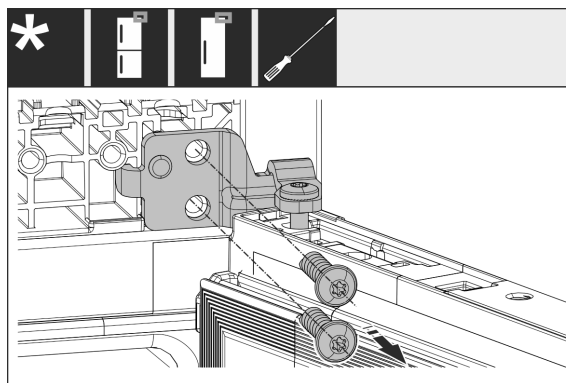


Fig. 11

- ▶ Loosen the screws on the bearing block. Secure the door against falling out.

Changing the door direction

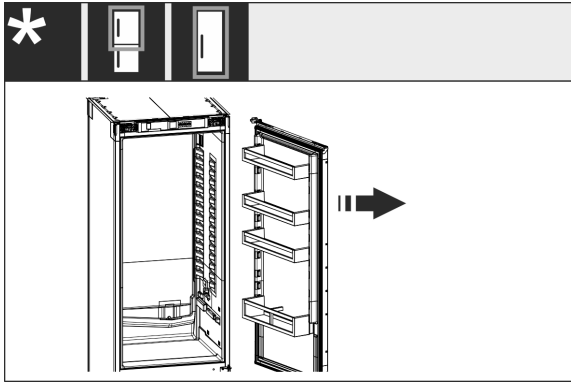


Fig. 12

- ▶ Remove the door together with the still screwed-on bearing bracket.

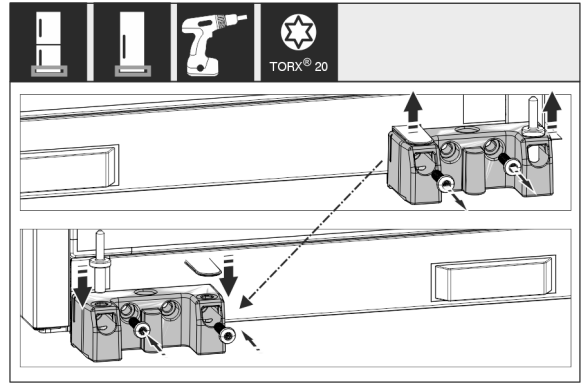


Fig. 16

- ▶ Shift the bottom bearing block and screw it tightly.

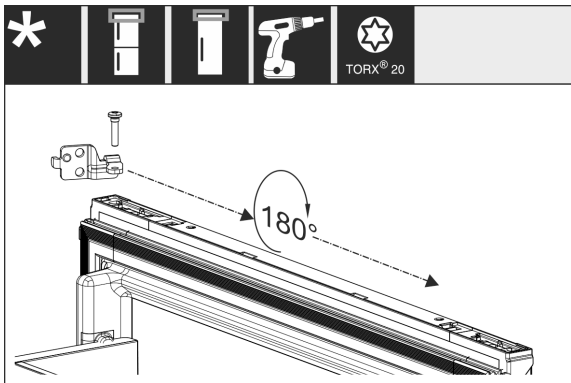


Fig. 13

- ▶ Turn and shift the bearing block by 180°.

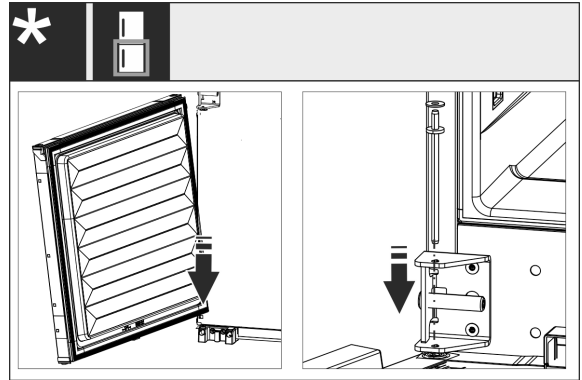


Fig. 17

- ▶ For combined units: Mount the lower door: Place on the hinge bolt at the bottom and rotate into place at the top. Insert the middle bearing bolt into the door from above through the middle bearing block.

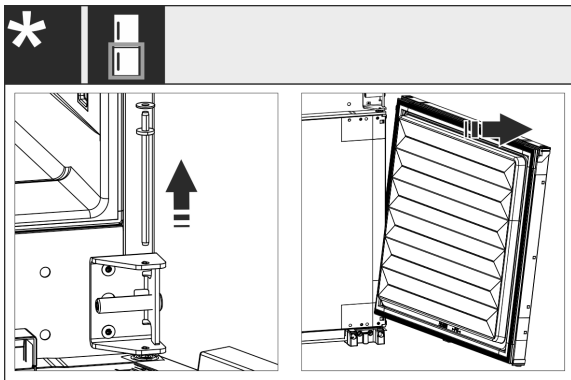


Fig. 14

- ▶ Remove the lower door: Pull out the middle bearing bolt with the disc. Secure the door against tipping out. Lift the door up.

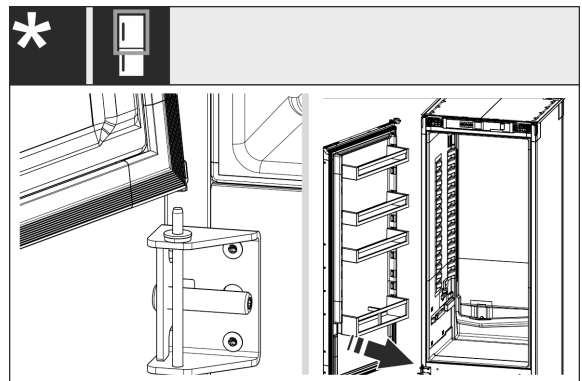


Fig. 18

- ▶ For combined units: Mounting the top door: Place at the bottom of the middle bearing bolt.
- ▶ For one-door appliances: Mounting the door: Place on the bearing bolts at the bottom.

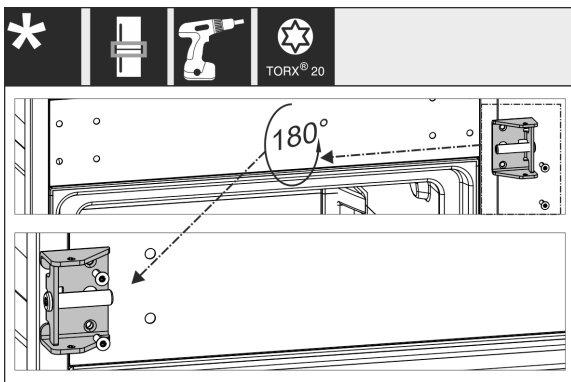


Fig. 15

- ▶ Shift the middle bearing block and screw it tightly.

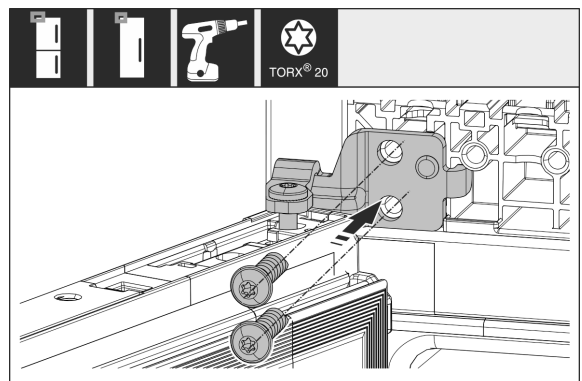


Fig. 19

Installing the appliance in the recess

- ▶ Screw the top bearing block to the housing.

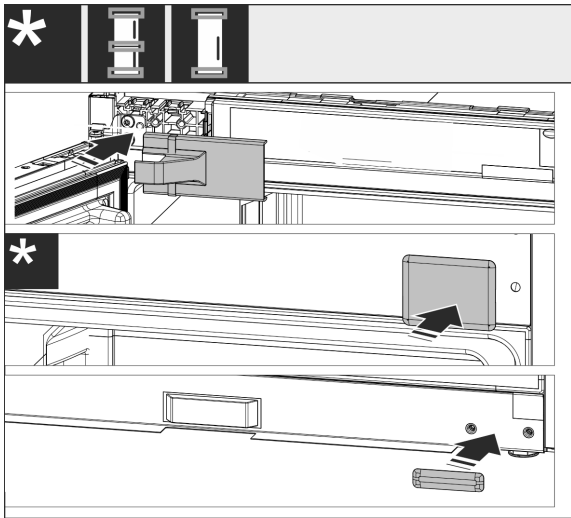


Fig. 20

- ▶ Refit the covers on the handle side. Reinstall the covers on the hinge side only once the appliance is installed in the cabinet.
- ▶ Check all screws and retighten if necessary.

13 Installing the appliance in the recess

Tools and materials



Supplied assembly parts

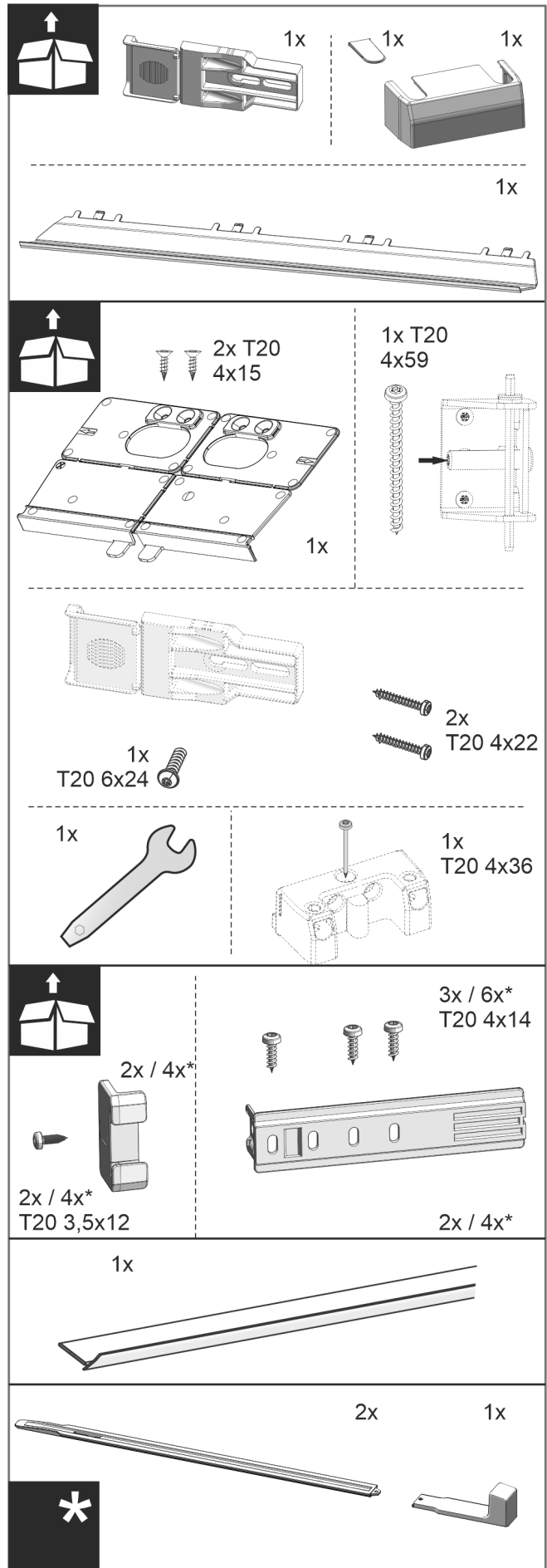


Fig. 21

Fig. 22

Installing the appliance in the recess

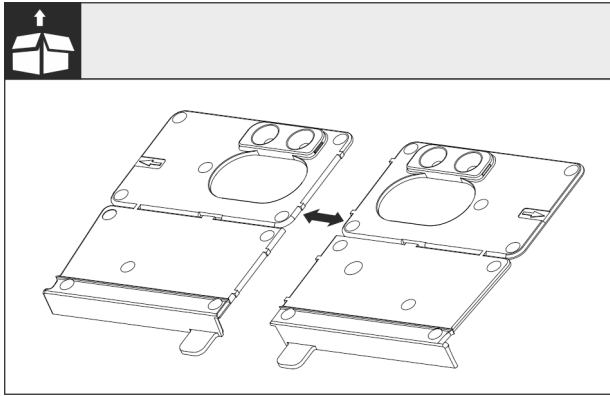


Fig. 23 Floor mounting bracket

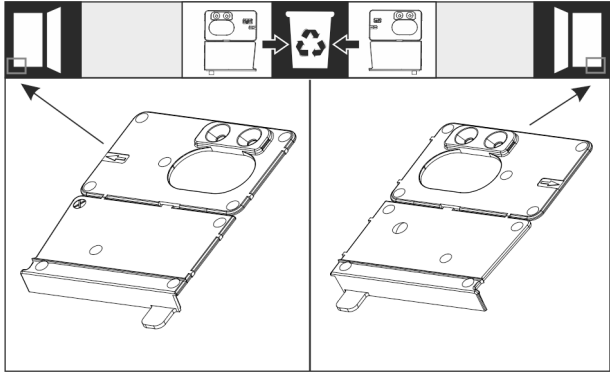


Fig. 24

- ▶ Separate the mounting bracket at the perforation. Dispose of either the right or left mounting bracket, depending on which way the door opens.

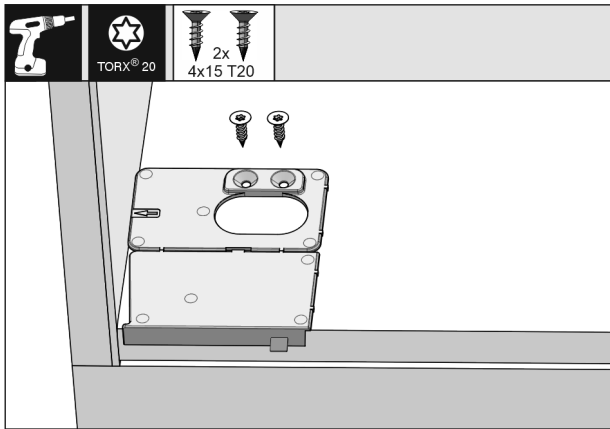


Fig. 25

NOTICE

Correct installation depth of the appliance

- ▶ Using the mounting bracket ensures the correct installation depth of the appliance.
- ▶ Screw the mounting bracket base on the right or left, flush to the side wall on the base of the cabinet recess, depending on which way the door opens. The mounting bracket is always mounted on the handle side.

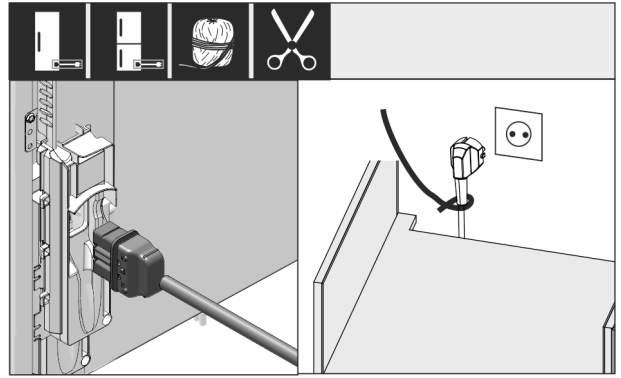


Fig. 26

- ▶ Remove the power cable from the package and plug it into the back of the appliance. Use a cable lug to lay the power plug cord to the accessible socket.

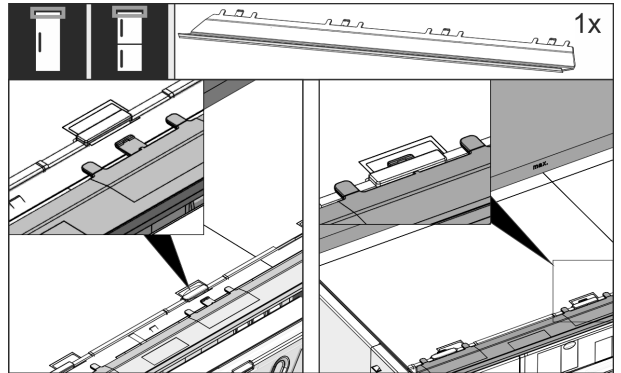


Fig. 27

- ▶ Insert the levelling panel. The panel can be moved to both sides.

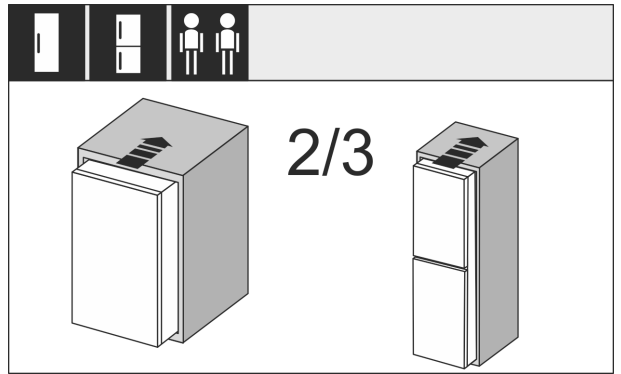


Fig. 28

- ▶ Insert the appliance 2/3 of the way into the recess.

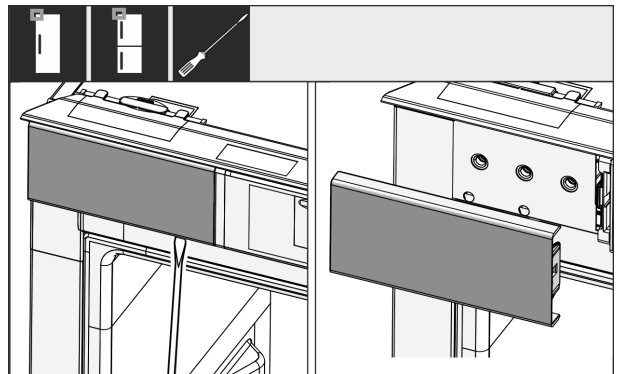


Fig. 29

- ▶ Use a screwdriver to loosen the cover at the top left and then remove it.
- ▶ If already mounted, remove the other covers.

Installing the appliance in the recess

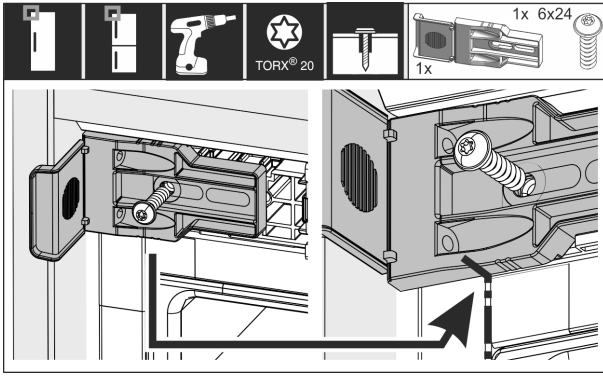


Fig. 30

- ▶ Tighten the mounting bracket. The bracket should no longer move. The marking of the mounting bracket is ideally located on the joint of the housing.

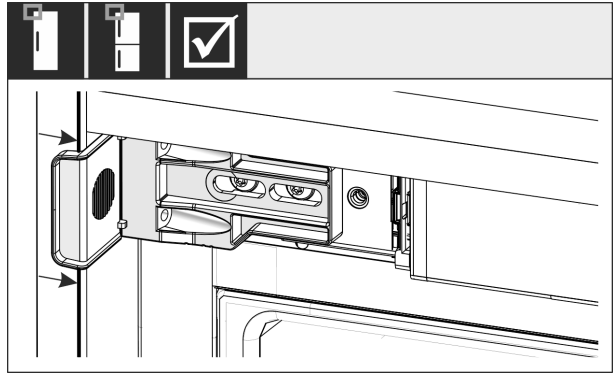


Fig. 34

- ▶ Check that the appliance is flush against the cabinet recess. The mounting bracket must be attached to the side wall of the cabinet recess.

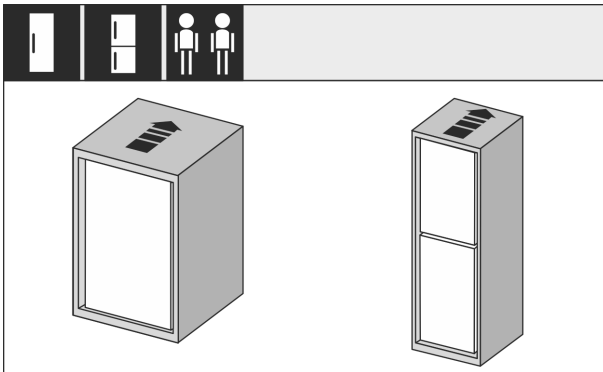


Fig. 31

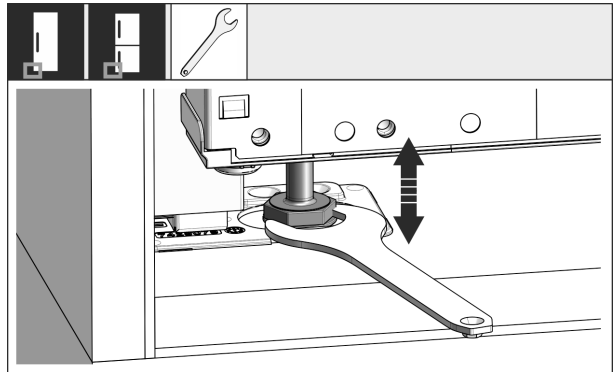


Fig. 35

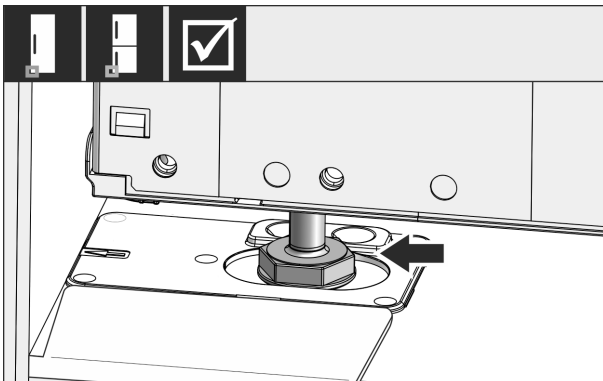


Fig. 32

- ▶ Insert the appliance all the way into the unit recess. The adjustable foot must sit in the recess of the mounting bracket.

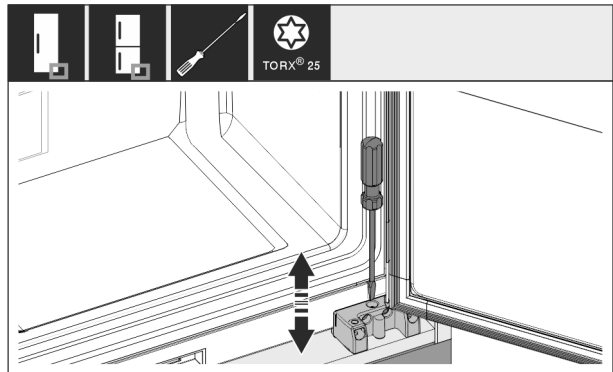


Fig. 36

- ▶ If necessary, use the adjustable feet to correct the tilt of the appliance.

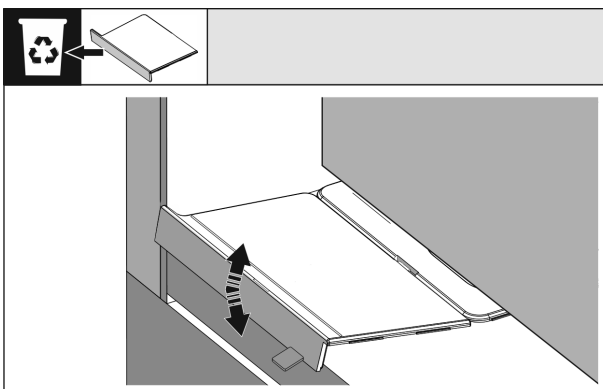


Fig. 33

- ▶ Remove the front floor mounting bracket stop. Loosen the stopper by moving it and, if necessary, pull it off using pliers.

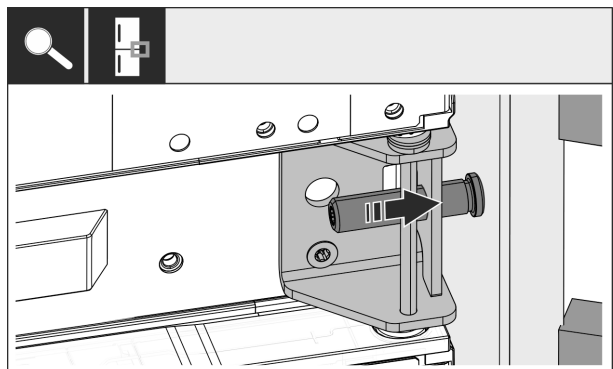


Fig. 37

- ▶ For combinations: Secure the appliance into the cabinet recess on the hinge side using the middle bearing block. Make sure that the cabinet wall is not damaged by the adjusting screw.

Installing the appliance in the recess

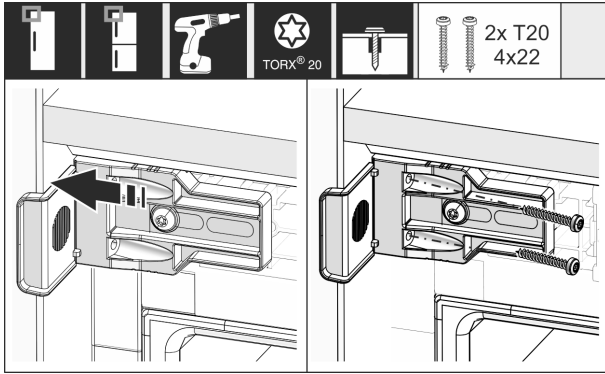


Fig. 38

- Screw the bracket to the side wall of the cabinet recess.

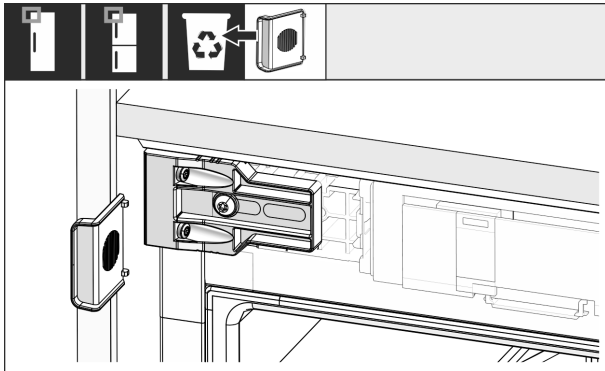


Fig. 39

- Remove the stop from the bracket on the handle side and dispose of it.

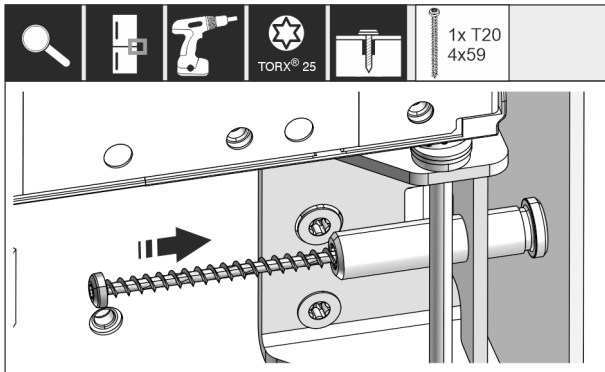


Fig. 40

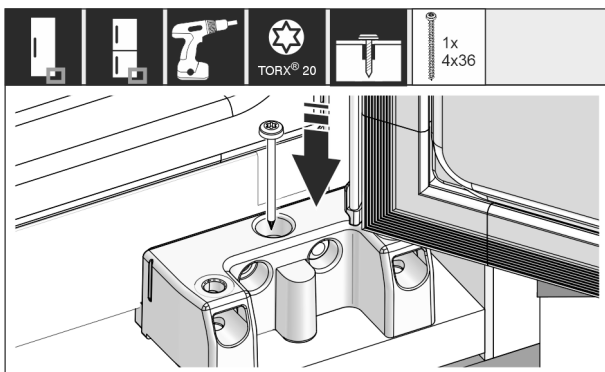


Fig. 41

- Screw the appliance into the recess on the hinge side using the middle and bottom bearing brackets.

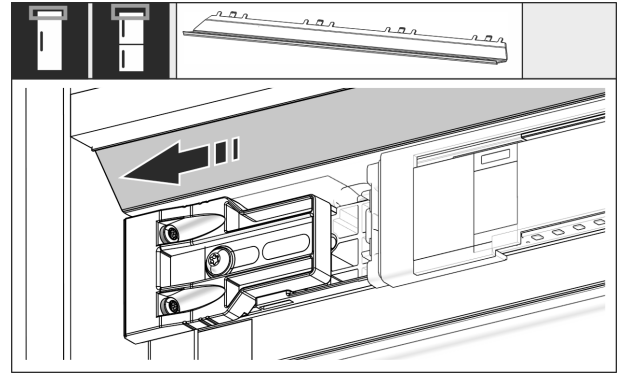


Fig. 42

- Slide the panel so that it sits flush on the side of the cabinet wall.

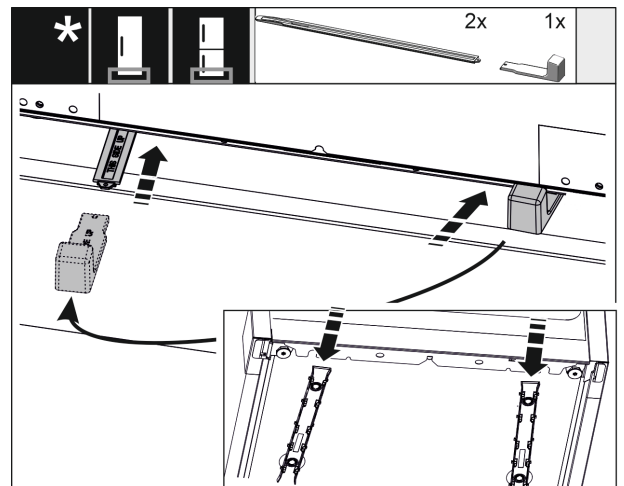


Fig. 43

The height adjustment is only supplied as standard for recess heights of 140 cm and above, and must be used for sound optimisation.

- To stabilise the appliance at the back underneath: Fit the handle onto the rail of the height adjustment and push the rail into the appliance base. Remove the handle and do the same with the second rail.

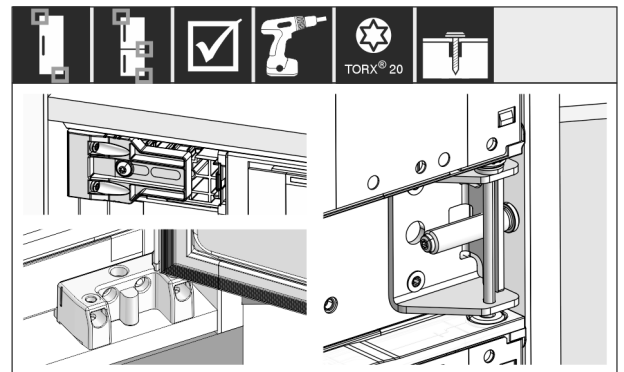


Fig. 44

- Check all screws and retighten them.

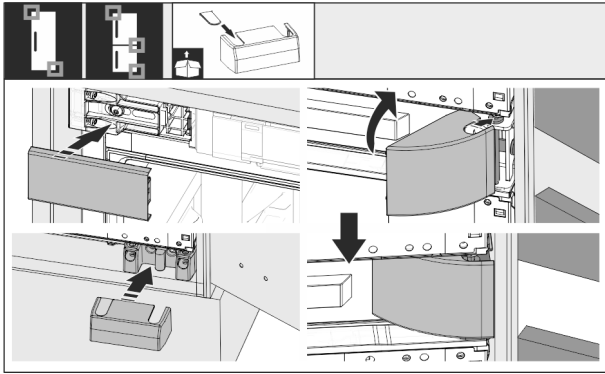


Fig. 45

- ▶ Put all the covers on.

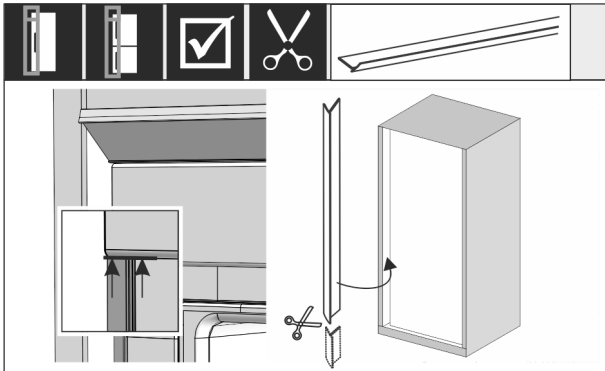


Fig. 46

- ▶ The tread is magnetic. Place the tread below the cover profile and press it in. If necessary, shorten the tread to the required length with a sharp pair of scissors.

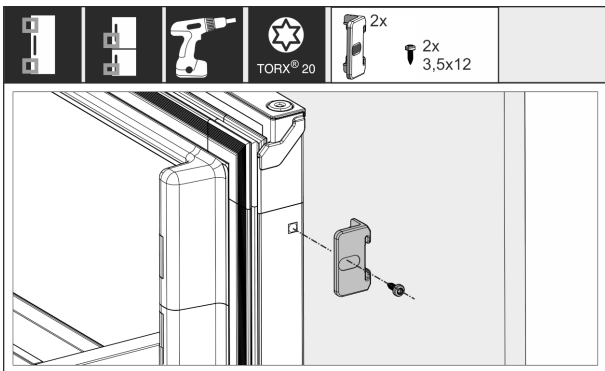


Fig. 47

Attaching custom panel to the appliance door:

- ▶ Open the door fully.
- ▶ Mount bracket onto the appliance door.

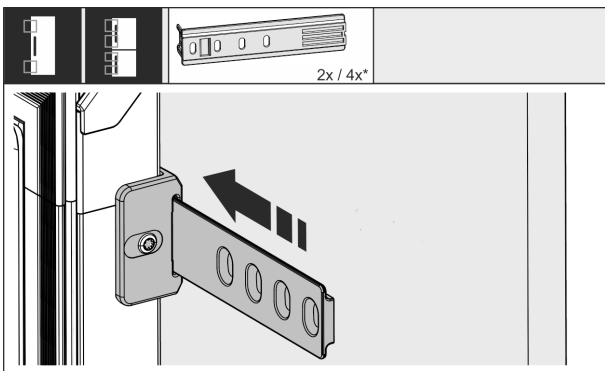


Fig. 48

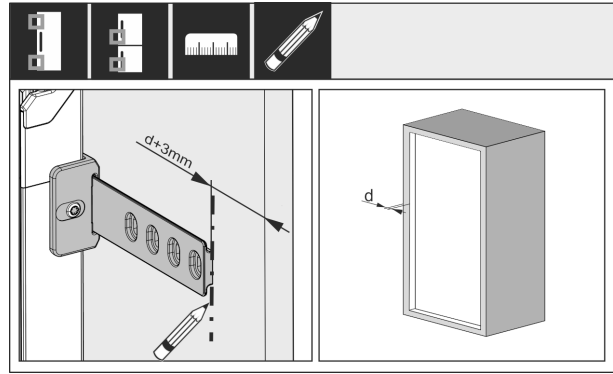


Fig. 49

The gap between the end of the rail and the outer edge of the custom panel should be + 3 mm depending on the thickness of the unit side wall.

- ▶ Mark using a non-waterproof pen.

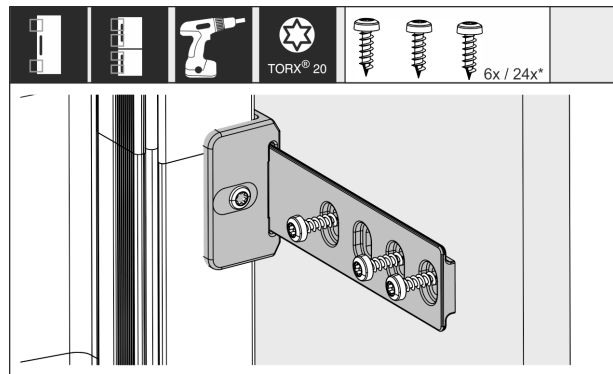


Fig. 50

- ▶ Push the rails into the bracket and screw to the cabinet door.

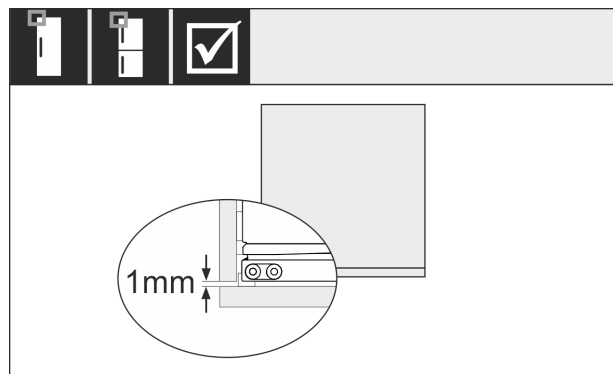


Fig. 51

- ▶ Check that the seal runs all the way around the appliance door.
- ▶ Make sure the custom panel does not open onto the side wall of the unit recess. Liebherr recommends a minimum gap of 1 mm.

14 Connecting device



WARNING

Failure to connect properly
Fire hazard.

- ▶ Do not use an extension cable.
- ▶ Do not use distributor blocks.

Connecting device

NOTICE

Failure to connect properly
Damage to the electronics.

- ▶ Do not connect the appliance to a stand-alone inverter, e.g. solar power systems and petrol generators.
 - ▶ Do not use an energy saving plug.
-

Note

Only use the supplied mains cable.

- ▶ A longer mains cable can be ordered from Customer Service.
-

Ensure that the following conditions are met:

- The type of current and voltage at the installation site match the information on the serial tag .
- The socket is earthed according to the regulations and fused.
- The fuse tripping current is between 10 and 16 A.
- The socket is easily accessible.
- ▶ Check the electrical connection.
- ▶ Connect the mains plug to the power supply.
- ▷ The Liebherr logo appears on the screen.
- ▷ V-ZUG logo appears on the screen.
- ▷ The display switches to the standby symbol.



home.liebherr.com/fridge-manuals

EN built-in fridge/freezer, sliding door

Issue date: 20220922

Part number index: 7088229-00

Liebherr-Hausgeräte Ochsenhausen GmbH
Memminger Straße 77-79
88416 Ochsenhausen
Deutschland