
XRFsdh 5220

Side-by-Side combination
◇ Plus

LIEBHERR

Freestanding



SFNsdh 5227

Freestanding freezer with NoFrost

◇ Plus



← 60 →



Noise output	36 dB(A)
Climate rating	SN-T (+10 °C to +43 °C)
Frequency / voltage	60 Hz / 115 V~
Connection Rating	2.3 A 264.6 W
Door / Side walls	SmartSteel / silver
Exterior dimensions in cm (h / w / d)	185.5 / 59.7 / 67.5¹
Controls	
Type of Control	LC monochrome display behind-the-door, touch electronic Digital temperature display
Door alarm	visual and acoustic
Alarm in case of malfunction	visual and acoustic
Freezer compartment	
Star coding	****
Number of drawers	7 drawers on integrated drawer guide, VarioSpace Top drawer with convenient tilting function
Freezing capacity in 24 hours	18 kg
Temperature rise time	16 h
VarioSpace	yes
Features	
Side-by-Side concept	Side wall heating right, suitable for combination with other refrigerators, freezers and/or wine appliances
Door hinges	Reversible door hinge, left
Replaceable door seal	yes
EAN-Nr.	4016803131977

¹ To achieve the indicated energy consumption level, the wall spacers provided with the appliance must be used. These increase the appliance depth by approximately 1.5 cm. If the wall spacers are not used, the appliance will remain fully functional, but will have a slightly higher energy consumption level.

Features



NoFrost

When you open your freezer, you want to see frozen food – and certainly not ice and frost. NoFrost protects the freezer compartment from unwanted icing, which consumes a lot of energy and can be expensive. NoFrost means no more tedious and time-consuming defrosting of the freezer compartment, more time for other things – and saving money.



SmartSteel

Thanks to its SmartSteel surface, the purist design language of the appliance is the perfect accent to any kitchen. The horizontal polish brings out the stainless steel and gives it a silky sheen and a pleasant feel. The special coating minimises fingerprints and makes the surface insensitive to scratches. So nothing disturbs the high-quality exterior.



Touch display

Fingertip control: the touch display enables easy and intuitive operation of your Liebherr. All functions are clearly arranged on the display. By gently tapping a finger, for example, you can easily select the functions or check the current temperature of your refrigerator.



EasyTwist Ice

Whether it's a summer day or a party: Thanks to EasyTwist Ice, you can prepare a supply of ice cubes quickly and easily – without the need for a fixed water connection. Simply fill the tank with water, let it freeze and then release the finished ice cubes with a simple twist – and you're ready to serve cool drinks. The EasyTwist Ice is easy to clean and ensures hygienic ice cube production at all times.



EasyOpen

Done this before? After putting all the shopping in the freezer you remember an item of food you have forgotten – and have to give the door a good pull to open it again. With your Liebherr, you don't need to do this. EasyOpen means the door can be opened multiple times one after another, conveniently and easily.



SpaceBox

Accommodate the "big stuff" in your Liebherr: An XL turkey or a multi-layered ice cream cake simply needs more space. Your Liebherr has the SpaceBox for exactly that purpose: At a generous height of 250 mm, it offers lots of extra space, even for large frozen goods. Helpful for you when storing food flexibly.

SRsdh 5220

Refrigerator with EasyFresh

◇ Plus



← 60 →



Noise output	35 dB(A)
Climate rating	SN-T (+10 °C to +43 °C)
Frequency / voltage	60 Hz / 115 V~
Connection Rating	2.3 A
Door / Side walls	SmartSteel / silver
Exterior dimensions in cm (h / w / d)	185.5 / 59.7 / 67.5 ¹
Controls	
Type of Control	LC monochrome display behind-the-door, touch electronic Digital temperature display
Door alarm	visual and acoustic
Fridge compartment	
Forced air system	PowerCooling with FreshAir activated charcoal filter
Door interior	Plastic door shelves with bottle holder, egg tray
VarioSafe	yes
Bottle shelf	Bottle shelf
Interior light	LED ceiling lighting
Fruit and vegetable bins	1 EasyFresh safe on running rails
Features	
Side-by-Side concept	Side wall heating left, suitable for combination with other refrigerators, freezers and/or wine appliances
Door hinges	Reversible door hinging, right
Replaceable door seal	yes
EAN-Nr.	4016803129974

¹ To achieve the indicated energy consumption level, the wall spacers provided with the appliance must be used. These increase the appliance depth by approximately 1.5 cm. If the wall spacers are not used, the appliance will remain fully functional, but will have a slightly higher energy consumption level.

Features



EasyFresh

The guarantee of market freshness in the home is our EasyFresh-Safe. Whether it's unpackaged vegetables or fruit, this ensures optimal storage for everything. Thanks to the air-tight closure, the food causes the humidity in the safe to rise. This keeps the food fresh for a long time.



SmartSteel

Thanks to its SmartSteel surface, the purist design language of the appliance is the perfect accent to any kitchen. The horizontal polish brings out the stainless steel and gives it a silky sheen and a pleasant feel. The special coating minimises fingerprints and makes the surface insensitive to scratches. So nothing disturbs the high-quality exterior.



Touch display

Fingertip control: the touch display enables easy and intuitive operation of your Liebherr. All functions are clearly arranged on the display. By gently tapping a finger, for example, you can easily select the functions or check the current temperature of your refrigerator.



SmartSteel rear wall

The rear wall in elegant SmartSteel gives your Liebherr a stylish look and feel. Your food will also love SmartSteel as stainless steel is food-safe and hygienic. SmartSteel also reduces the visibility of fingerprints – making the appearance even more pleasing.



Slimline door handle (with integrated opening mechanism)

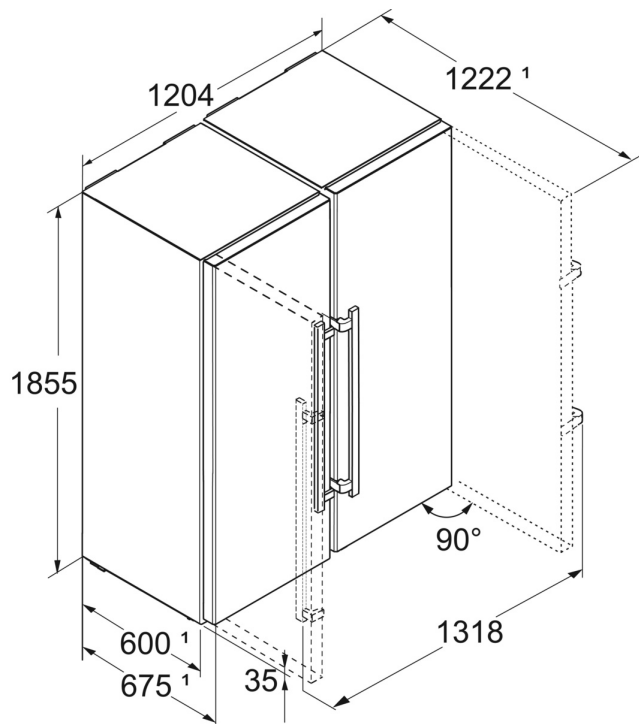
Opening made easy: The practical and elegant slimline door handle with an integrated opening mechanism allows you to open the appliance door effortlessly, even when it's opened multiple times in quick succession. The classy, minimalistic handles are also an eye-catcher on your appliance.



PowerCooling system

Do you want to be sure that the cold is distributed as evenly as possible in your refrigerator? If so, the PowerCooling system is what you need. The fan – as powerful as it is quiet – distributes the cold air efficiently throughout the entire refrigeration compartment.

Technical drawing



Products and their details are staged for advertising purposes. Whilst every effort is made to ensure all specifications and information in this flyer are accurate, Liebherr reserves the right to make changes without notification. Where actual appliance measurements, specifications, and ratings are crucial, we recommend that the actual appliance installation instructions that accompany each appliance be checked. Liebherr will not be liable for any damage. (27.06.2024)

