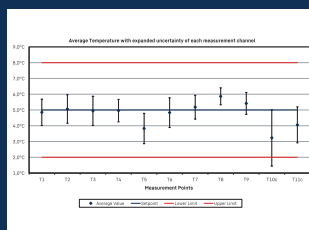
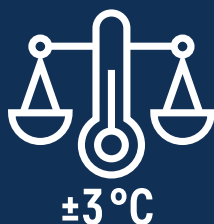


# SRFfg 5501

Laboratory refrigerator with convection cooling and an interior free of ignition sources



**Maximum temperature stability**  
The dynamic cooling system with double ventilation ensures maximum temperature stability in the interior. Very short defrost cycles allow the interior temperature to be kept almost constant during the defrost phases. All the laboratory appliances are designed for temperature stability and consistency according to EN 60068-3



**±3 °C temperature stability**  
Temperature fluctuations must be minimal to ensure that the quality of sensitive substances is preserved. Liebherr Laboratory refrigerators have an impressive maximum deviation of just ±3 °C from the set temperature. This not only maintains the storage climate, but also the value of your stored goods.



**Explosion protection: ATEX 95**  
The ATEX-95 certification confirms that the Liebherr spark-free laboratory refrigerators and freezers are suitable for storing explosive and highly flammable materials as defined by EU Directive 2014/34/EU (ATEX).



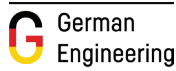
**Retrofittable WiFi/LAN interface**  
This is how easy it is to network a Liebherr: With the retrofittable WiFi and LAN interface, appliances can be effortlessly connected to external systems, such as SmartMonitoring from Liebherr. With the digital monitoring solution, the storage temperature is controlled and documented conveniently and securely via the subsequently set up interface.

# LIEBHERR

# SRFfg 5501

## Performance

### Flammable material storage refrigerator

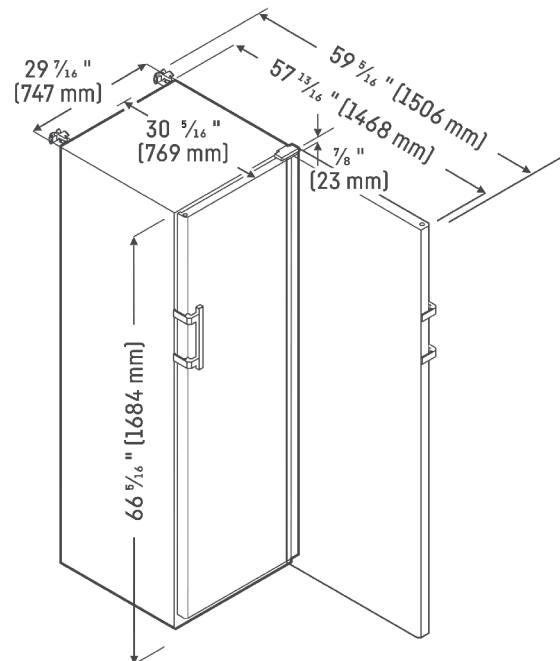


home.liebherr.com



| SRFfg 5501   |  |
|--|--|
| Total gross/net capacity l (cu.ft.)                    | 558/517 (19.7/18.3)                                |
| Exterior dimensions in mm (w/d/h)<br>in inches (w/d/h) | 747 / 769 / 1684<br>29 7/16" / 30 5/16" / 66 5/16" |
| Interior dimensions in mm (w/d/h)<br>in inches (w/d/h) | 600/537/1460<br>23 5/8"/21 3/16"/57 1/2"           |
| Energy Consumption (kWh/day) *                         | 0.73   |
| EnergyStar rated                                       | Yes  |
| Ambient Temperature in °C (°F)                         | *+10°C to +35°C (+50 °F to +95 °F)                 |
| Heat output  | 408 kJ/h   |
| Refrigerant  | R 600a   |
| Sound rating**   | 49 dB(A)   |
| Frecuency / Voltage                                    | 60 Hz / 115-127 V~                                 |
| Cooling system / Defrost                               | Forced-air/automatic                               |
| Temperature range in °C (°F)                           | *+3°C to +16°C (+38 °F to +60 °F)                  |
| Gradient / max. fluctuation                            | 3.7°C / 3.0°C                                      |
| External cabinet finish                                | Steel/white  |
| Door/lid material                                      | Steel  |
| Internal liner material                                | Commercial grade molded polystyrol                 |
| Type of control  | Monochrome display, touch buttons                  |
| Power failure alarm                                    | When mains power return                            |
| Fault: warning signal                                  | Visual and audible                                 |
| Volt-free alarm contact                                | Yes  |
| Connectivity type                                      | SmartModule  |
| Connectivity solution                                  | Retrofittable                                      |
| Interface  | WiFi/LAN (optional)                                |
| Adjustable shelves                                     | 5  |
| Shelf material   | Glass  |
| Usable Shelf Area in mm (w / d)                        | 600 / 537  |
| Shelf load weight in kg (lbs)                          | 40 (88.2)  |
| Handle   | Antimicrobial handle with opening mechanism        |
| Access ports   | 1 x Ø 10 mm  |
| ATEX conformity  | Yes  |
| Type of lock   | Mechanical   |
| Door Hinges  | Right, reversible on site                          |
| Gross/net weight in kg (lbs)                           | 94 (207.2) / 87 (191.8)                            |

### Unit Dimensions



### Accessories

|                               |         |
|-------------------------------|---------|
| Shelf, plastic-coated         | 7113310 |
| Base grid                     | 7113314 |
| Glass shelf                   | 9291929 |
| Scanner rail                  | 7435210 |
| Castors Ø 80 mm               | 9086926 |
| Adjustable feet, 90 – 120 mm  | 9080022 |
| Adjustable feet, 150 – 180 mm | 9086924 |

\* Measured unloaded at 26.6°C (80°F) ambient temperature with set point of 3.3°C (38°F).

\*\* Noise level – sound power re 1pW – according to IEC 60704-2-14.

# LIEBHERR